



(12) **United States Design Patent**  
**Hamasaki**

(10) **Patent No.:** **US D753,333 S**  
(45) **Date of Patent:** **\*\* Apr. 5, 2016**

- (54) **LEDS FOR CYCLING HEADLIGHT**
- (71) Applicant: **SSB Design, Inc.**, Santa Ana, CA (US)
- (72) Inventor: **Noriaki Hamasaki**, Lake Forest, CA (US)
- (73) Assignee: **SSB DESIGN, INC.**, Santa Ana, CA (US)
- (\*\*) Term: **14 Years**

- (21) Appl. No.: **29/500,948**
- (22) Filed: **Aug. 29, 2014**

- (51) **LOC (10) Cl.** ..... **26-99**
- (52) **U.S. Cl.**  
USPC ..... **D26/120; D26/124**
- (58) **Field of Classification Search**  
USPC ..... D26/9, 10, 12, 13, 15, 16, 24, 51, 61, D26/72, 76, 80, 81, 85, 86, 88, 90, 113, 118, D26/119, 120, 122, 128, 129, 138, 143, 144, D26/5, 6, 11, 79, 114, 116, 131, 137, 121, D26/127, 135, 180, 28, 29, 97, 126, 64, 65, D26/124, 125, 132, 84, 87, 69, 62, 1, 134, D26/89, 145, 142, 74, 63; D13/180, 179, D13/133, 113; D10/18, 21, 24, 25, 27, 28, D10/46, 93, 104.1, 113, 114, 116.1, 118; D17/99  
CPC ..... B60Q 1/04; B60Q 1/26; F21S 8/026; F21S 8/04; F21S 8/035; F21V 29/004; F21V 21/02; F21V 21/04; F21V 29/2212; F21V 37/002; F21V 7/00; F21V 29/83; F21V 7/22; F21Y 2101/02; F21Y 2103/00; F21L 19/00; F23D 11/443; A61L 9/037; H01R 33/0836; H01R 2103/00; H01R 24/68; G02B 6/4298  
See application file for complete search history.

- (56) **References Cited**  
U.S. PATENT DOCUMENTS  
D186,130 S \* 9/1959 Izzi ..... D26/71  
3,638,753 A \* 2/1972 Cunningham ..... H04R 1/345  
181/153  
D275,062 S \* 8/1984 Sorko-Ram ..... D25/106  
4,940,420 A \* 7/1990 Munie ..... H01R 13/5219  
439/271  
D311,733 S \* 10/1990 Kuzuno ..... D13/133  
5,127,848 A \* 7/1992 Taguchi ..... H01R 13/641  
439/188

(Continued)  
OTHER PUBLICATIONS

Optronic lights, image post date Mar. 27, 2014, site visited Jun. 7, 2015, (online), <<http://www.truckcampermagazine.com/weekly-blog/recommended-led-lights-for-truck-campers>>.\*  
(Continued)

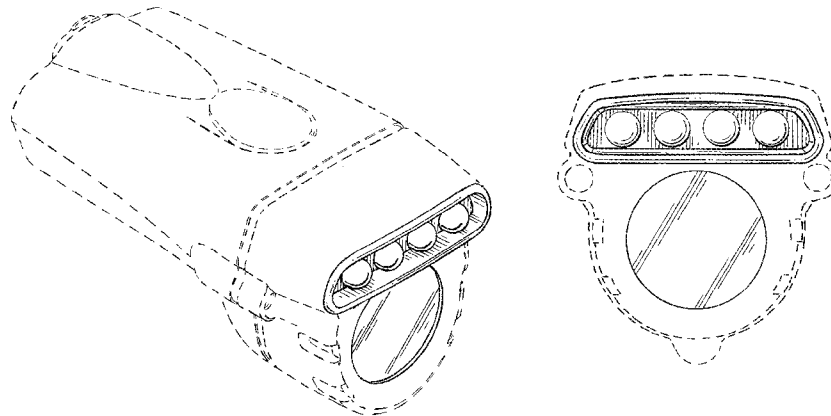
*Primary Examiner* — Kevin Rudzinski  
*Assistant Examiner* — Sean D Lough

- (57) **CLAIM**  
I claim the ornamental design for the LEDS for cycling headlight, as shown and described.

**DESCRIPTION**

FIG. 1 is a perspective view of the LEDS for cycling headlight of the present invention;  
FIG. 2 is a front elevational view of the LEDS for cycling headlight of the present invention;  
FIG. 3 represents a plan view of the LEDS for cycling headlight of the present invention;  
FIG. 4 represents a bottom view of the LEDS for cycling headlight of the present invention; and,  
FIG. 5 represents a right side view of the LEDS for cycling headlight wherein the left side view is a mirror image of the right side view.  
The broken-line disclosures in the views are understood to represent portions of the Article in which the claimed design may be embodied, but which forms no part of the claimed design.

**1 Claim, 5 Drawing Sheets**



(56)

## References Cited

## U.S. PATENT DOCUMENTS

- D333,293 S \* 2/1993 Ashida ..... D13/147  
D397,391 S \* 8/1998 Jirout ..... D21/779  
D415,999 S \* 11/1999 Esposito ..... D13/147  
D481,474 S \* 10/2003 Yang ..... D26/28  
D490,172 S \* 5/2004 Yamamoto ..... D26/28  
D503,150 S \* 3/2005 Yamawaki ..... D13/147  
D509,615 S \* 9/2005 Rashidi ..... D26/120  
D529,639 S \* 10/2006 Okuda ..... D26/28  
D535,761 S \* 1/2007 Li ..... D26/24  
D536,111 S \* 1/2007 Li ..... D26/24  
D536,805 S \* 2/2007 Yuen ..... D26/26  
D540,968 S \* 4/2007 Lee ..... D26/37  
D546,989 S \* 7/2007 Chun ..... D26/37  
D548,388 S \* 8/2007 Cormier ..... D26/120  
D554,279 S \* 10/2007 Jeffries ..... D26/28  
D559,432 S \* 1/2008 Moriyama ..... D26/120  
D571,952 S \* 6/2008 Badarello ..... D26/152  
D575,427 S \* 8/2008 Nelson ..... D26/37  
D577,146 S \* 9/2008 Haugaard ..... D26/118  
D577,856 S \* 9/2008 Kim ..... D26/140  
D578,226 S \* 10/2008 West ..... D26/1  
D578,703 S \* 10/2008 Levine ..... D26/113  
7,434,959 B1 \* 10/2008 Wang ..... F21S 2/005  
263/218  
D583,987 S \* 12/2008 Devaney ..... D26/120  
D584,840 S 1/2009 Okuda et al.  
D588,722 S 3/2009 Cheng  
D590,986 S \* 4/2009 Ranger ..... D26/122  
D591,785 S \* 5/2009 Fong ..... D16/237  
D599,297 S \* 9/2009 Chen ..... D13/147  
D605,790 S \* 12/2009 Hsing-Tsun ..... D26/28  
D608,483 S \* 1/2010 Lee ..... D26/60  
D612,535 S \* 3/2010 Fisher ..... D26/154  
D612,977 S \* 3/2010 Chen ..... D26/128  
D622,895 S \* 8/2010 Lyons ..... D26/118  
D623,349 S \* 9/2010 Tsai ..... D26/140  
D626,683 S \* 11/2010 Rabideau ..... D26/154  
D630,374 S \* 1/2011 Leen ..... D26/138  
D630,666 S \* 1/2011 Matsumoto ..... D16/134  
D631,995 S \* 2/2011 Huschke ..... D26/28  
D632,001 S \* 2/2011 Kong ..... D26/71  
D632,421 S \* 2/2011 Vukosic ..... D26/124  
D636,525 S \* 4/2011 Chan ..... D26/118  
D643,150 S \* 8/2011 Chen ..... D26/124  
D643,371 S \* 8/2011 Svelnis ..... D13/154  
D643,569 S \* 8/2011 Abate ..... D26/118  
D645,605 S \* 9/2011 Watanabe ..... D26/120  
D654,211 S \* 2/2012 Melzner ..... D26/118  
D659,280 S \* 5/2012 Guercio ..... D26/118  
D660,506 S \* 5/2012 McMahan ..... D26/118  
D660,802 S \* 5/2012 Quinn, Jr. .... D13/151  
D667,152 S 9/2012 Hamasaki  
D671,675 S \* 11/2012 Komarov ..... D26/120  
D672,915 S \* 12/2012 Toft ..... D26/123  
D675,372 S \* 1/2013 Kim ..... D26/138  
D677,421 S \* 3/2013 Lin ..... D26/120  
D677,821 S \* 3/2013 Jeon ..... D26/74  
D678,562 S \* 3/2013 Chan ..... D26/28  
D678,598 S \* 3/2013 Wu ..... D26/120  
D679,038 S \* 3/2013 Hamasaki ..... D26/28  
D679,040 S \* 3/2013 Cen ..... D26/28  
D679,446 S \* 4/2013 Harrington, Jr. .... D26/124  
D679,856 S \* 4/2013 Guercio ..... D26/118  
D679,860 S \* 4/2013 Maxik ..... D26/141  
D687,179 S \* 7/2013 Kim ..... D26/118  
D691,322 S \* 10/2013 Tang ..... D26/124  
D695,445 S \* 12/2013 Panchisin ..... D26/118  
D696,334 S \* 12/2013 Li ..... D16/237  
D696,452 S \* 12/2013 Gordin ..... D26/118  
D699,880 S \* 2/2014 Szoke ..... D26/74  
D699,887 S \* 2/2014 Chen ..... D26/118  
D699,888 S \* 2/2014 Webb ..... D26/128  
D700,987 S \* 3/2014 Nepple ..... D26/120  
D703,371 S \* 4/2014 Yu ..... D26/118  
D705,981 S \* 5/2014 Cegnar ..... D26/128  
D706,973 S \* 6/2014 Shih ..... D26/113  
D708,378 S \* 7/2014 Recker ..... D26/61  
D708,385 S \* 7/2014 Krogman ..... D26/118  
D710,048 S \* 7/2014 Randolph ..... D26/120  
D711,579 S \* 8/2014 Watanabe ..... D26/138  
D712,087 S \* 8/2014 Kjaergaard Toft ..... D26/123  
D712,572 S \* 9/2014 Dai ..... D26/26  
D712,877 S \* 9/2014 Ko ..... D14/211  
D712,963 S \* 9/2014 Fleet ..... D19/113  
D713,595 S \* 9/2014 Lechtenberg ..... D26/118  
D714,488 S \* 9/2014 Chen ..... D26/123  
D715,980 S \* 10/2014 Ueda ..... D26/28  
D719,515 S \* 12/2014 Huang ..... D13/147  
D721,453 S \* 1/2015 Anastassiades ..... D26/88  
8,974,098 B2 \* 3/2015 McCaslin ..... B62J 6/003  
362/184  
D726,363 S \* 4/2015 Danesh ..... D26/138  
D728,849 S \* 5/2015 Hamel ..... D26/128  
D737,211 S \* 8/2015 Little ..... D13/147  
D737,497 S \* 8/2015 Burgess ..... D26/113  
D737,580 S \* 9/2015 Tsai ..... D6/300  
D744,430 S \* 12/2015 Yokoyama ..... D13/147

## OTHER PUBLICATIONS

Leia posing as the Ubese bounty hunter Boushh, image post date 1983, site visited Jun. 7, 2015, (online), <<http://forgottenpopcorn.blogspot.com/2012/11/star-wars-force-is-strong-with-this.html>>.\*  
“Expillion” Headlight manufactured by Cygolite (Applicant), first introduced May 23, 2012.  
“Metro” Headlight manufactured by Cygolite (Applicant), first introduced May 23, 2012.  
“Streak” Headlight manufactured by Cygolite (Applicant), first introduced Jul. 25, 2013.

\* cited by examiner

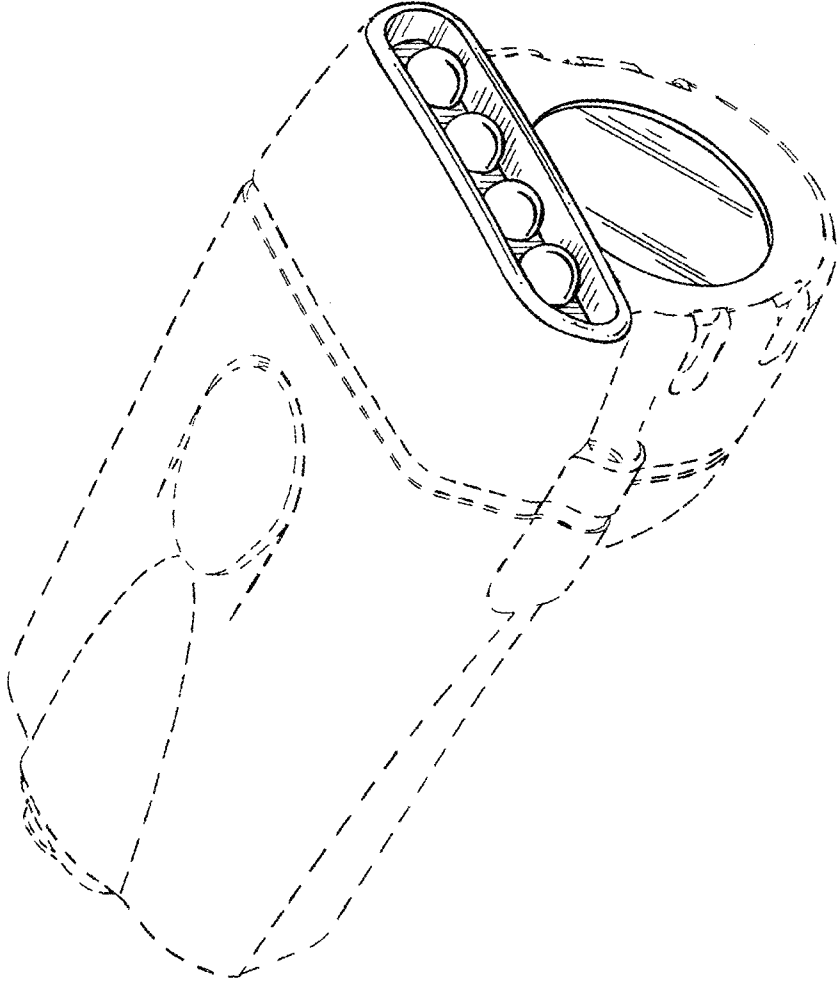


FIG. 1

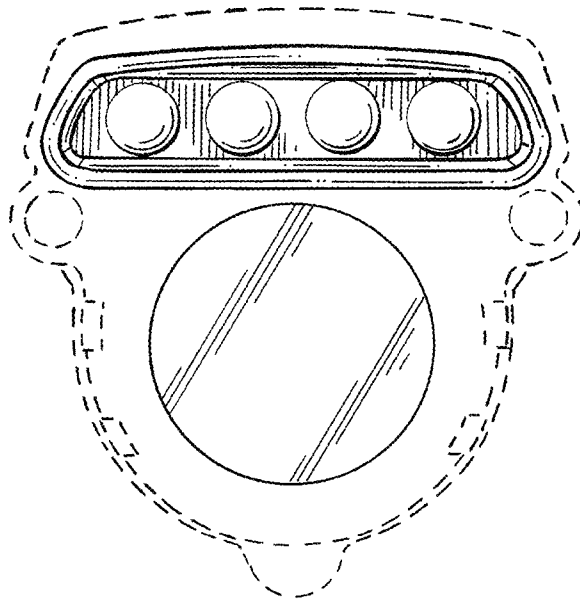


FIG. 2

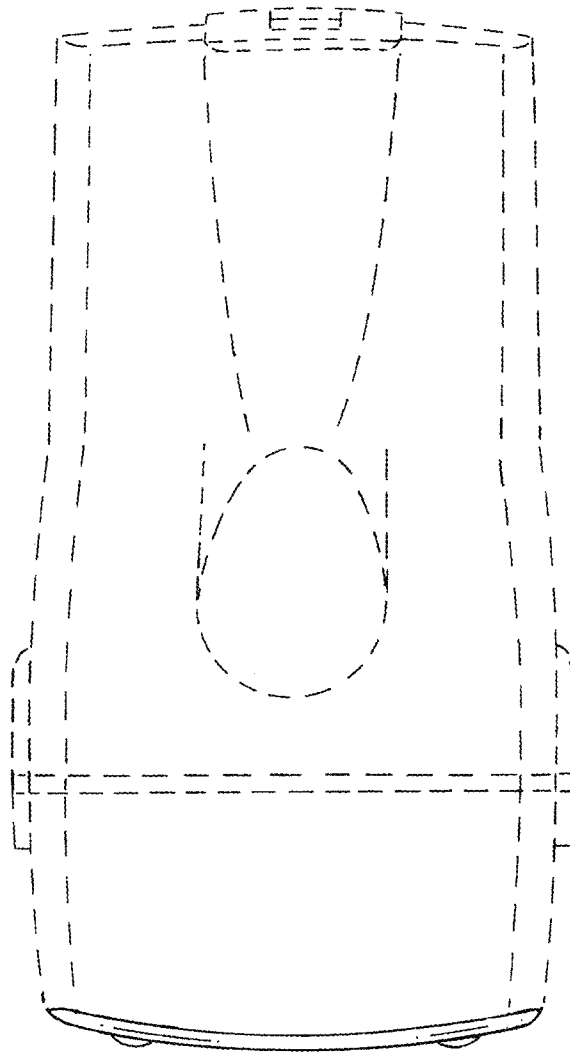


FIG. 3

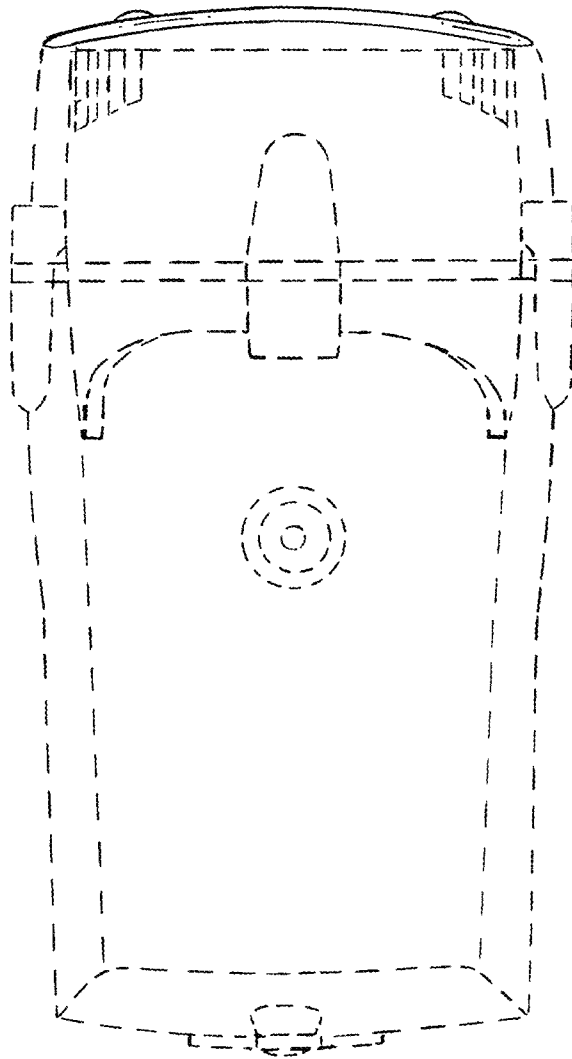


FIG. 4

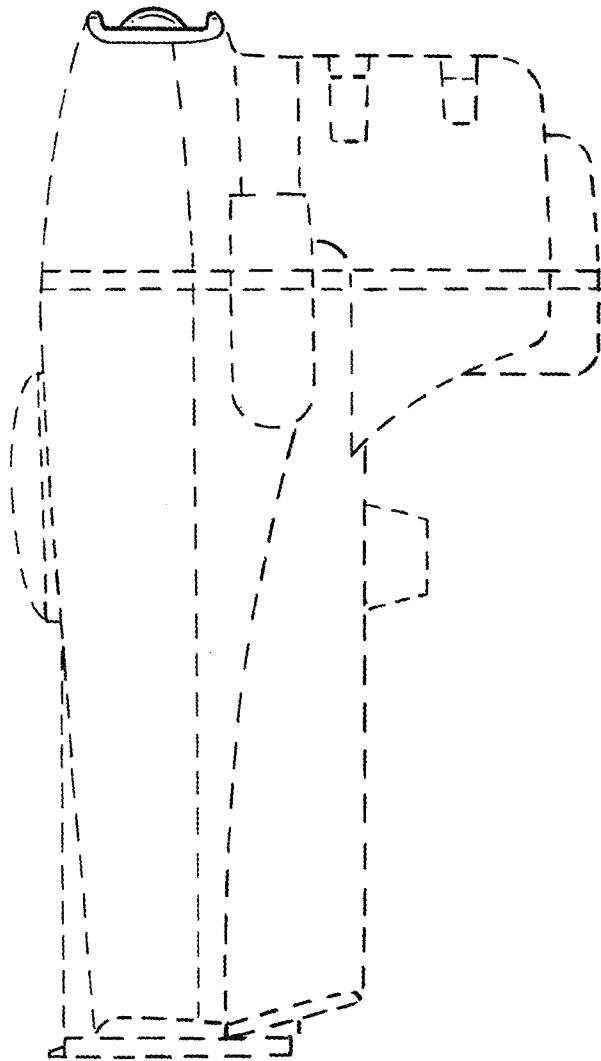


FIG. 5