



(12) **United States Design Patent**
Barbaric et al.

(10) **Patent No.:** **US D910,235 S**
(45) **Date of Patent:** **** Feb. 9, 2021**

- (54) **VAPORIZER CARTRIDGE** 5,135,009 A ‡ 8/1992 Muller A24B 15/165
131/19
- (71) Applicant: **Airgraft Inc.**, Montreal (CA) 5,564,442 A ‡ 10/1996 MacDonald A24F 13/00
131/19
- (72) Inventors: **Mladen Barbaric**, Quebec (CA); **Kisae Kim**, Quebec (CA); **Sungmoon Kim**, Quebec (CA); **Bong Geun Kim**, Quebec (CA) D449,404 S * 10/2001 Emery D27/186
6,513,524 B1 ‡ 2/2003 Storz A61M 11/041
128/20
6,532,965 B1 ‡ 3/2003 Abhulimen A24F 47/004
131/17
D610,303 S * 2/2010 Valle D27/189
(Continued)
- (73) Assignee: **Airgraft Inc.**, Montreal (CA)

(**) Term: **15 Years**

FOREIGN PATENT DOCUMENTS

- (21) Appl. No.: **29/728,690** CN 105962427 A ‡ 9/2016
WO WO-2017/185051 ‡ 10/2017
- (22) Filed: **Mar. 20, 2020**

OTHER PUBLICATIONS

- Related U.S. Application Data**
- (62) Division of application No. 29/666,824, filed on Oct. 16, 2018, now Pat. No. Des. 880,054.
 - (51) **LOC (13) Cl.** **27-02**
 - (52) **U.S. Cl.** **D27/162**
USPC **D27/162**
 - (58) **Field of Classification Search**
USPC D27/162, 163-170, 101, 186-189;
D13/103, 107; D23/360, 363, 366;
D24/110, 100.5; 128/202.21, 203.12;
131/273, 270, 329, 330, 191; D7/609;
D9/414, 416, 418, 423, 428, 430, 432,
D9/433, 435, 438, 760
CPC A24F 1/30; A24F 1/02; A24F 1/00; A24F
47/008; A24F 47/002
See application file for complete search history.

Vaporizer cartridge, Oval Shape Metal Coin piggy Bank for Kids (1 Pcs) by: Giftoo found on line Nov. 8, 2019 <https://www.giftoo.in/products/oval-shape-metal-coin-piggy-bank-for-kids-1-pcs> (Sep. 4, 2020).*

Primary Examiner — Marissa J Cash
Assistant Examiner — Rebecca Tsehaye
(74) *Attorney, Agent, or Firm* — Cooley LLP

(57) **CLAIM**

The ornamental design for a vaporizer cartridge, as shown and described.

DESCRIPTION

FIG. 1 is a perspective view of a vaporizer cartridge;
FIG. 2 is a back view thereof;
FIG. 3 is a front view thereof;
FIG. 4 is a right side view thereof;
FIG. 5 is a left side view thereof;
FIG. 6 is a top view thereof; and,
FIG. 7 is a bottom view thereof.

(56) **References Cited**
U.S. PATENT DOCUMENTS

- D299,066 S * 12/1988 Newell D24/110
- 4,947,874 A ‡ 8/1990 Brooks A24F 47/008
131/32
- 5,044,550 A * 9/1991 Lamm B65B 19/24
206/245

1 Claim, 4 Drawing Sheets

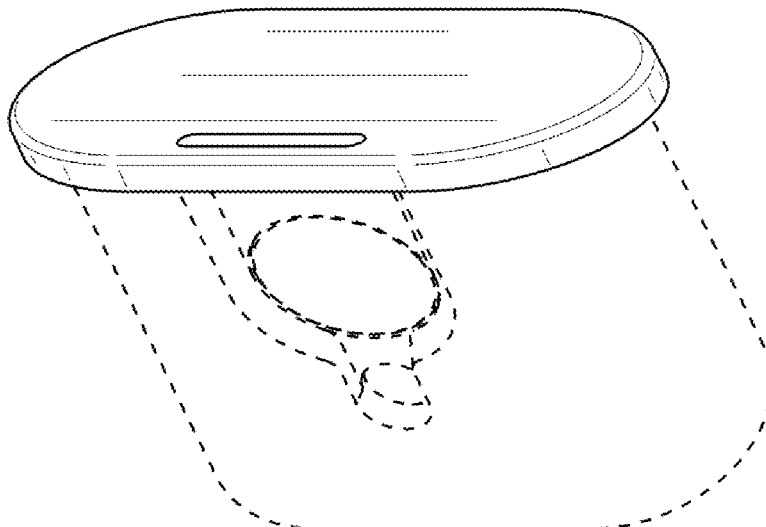


FIG.1

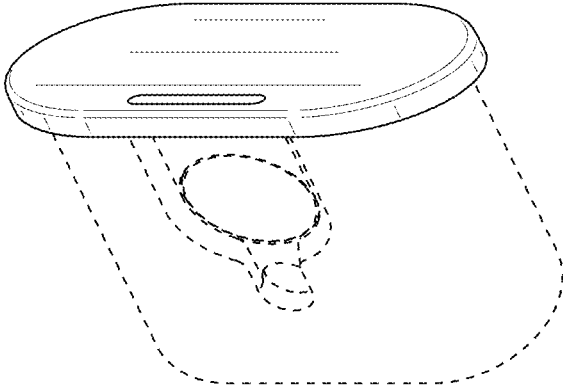


FIG. 2

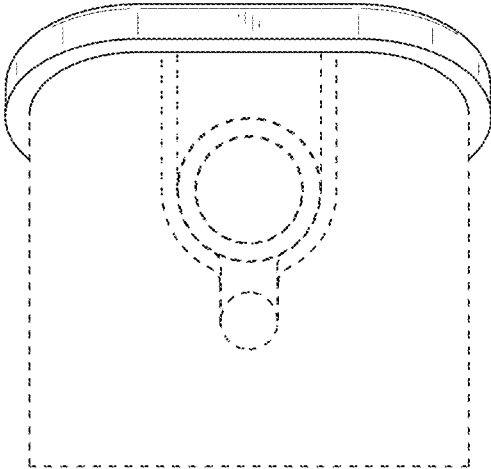


FIG. 3

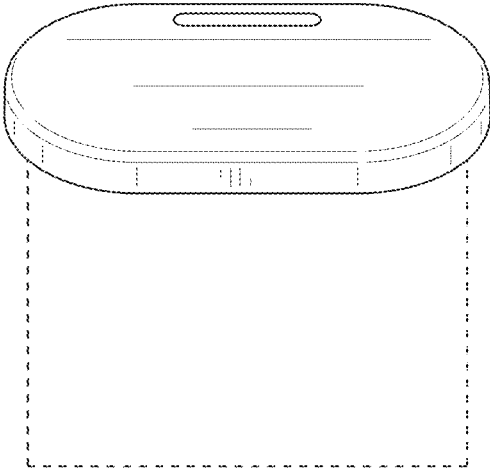


FIG. 4

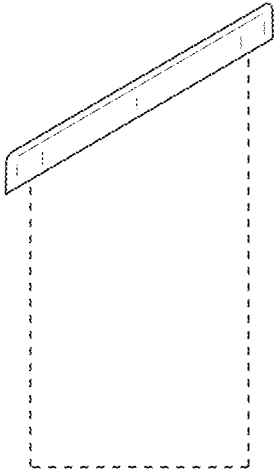


FIG. 5

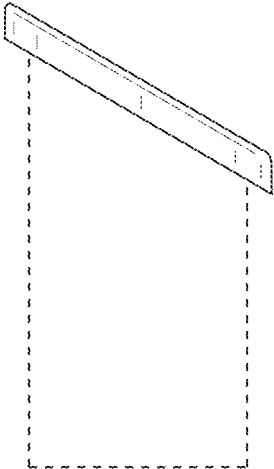


FIG. 6

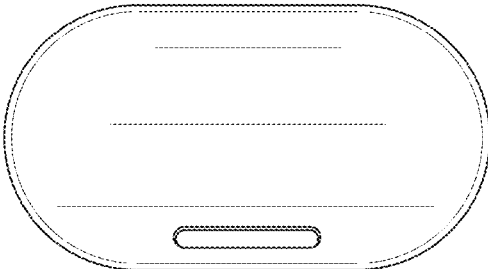


FIG. 7

