



(43) International Publication Date
30 October 2014 (30.10.2014)

(51) International Patent Classification:
F03B 17/02 (2006.01) F03B 17/04 (2006.01)

(21) International Application Number:
PCT/IT2014/000098

(22) International Filing Date:
3 April 2014 (03.04.2014)

(25) Filing Language: Italian

(26) Publication Language: English

(30) Priority Data:
MI 20013 A 000653 22 April 2013 (22.04.2013) IT

(72) Inventor; and
(71) Applicant : NAPOLITANO, Caterina [IT/IT]; via
Monterosa n. 25, I-20821 Meda (IT).

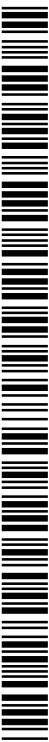
(81) Designated States (unless otherwise indicated, for every kind of national protection available): AE, AG, AL, AM, AO, AT, AU, AZ, BA, BB, BG, BH, BN, BR, BW, BY, BZ, CA, CH, CL, CN, CO, CR, CU, CZ, DE, DK, DM, DO, DZ, EC, EE, EG, ES, FI, GB, GD, GE, GH, GM, GT, HN, HR, HU, ID, IL, IN, IR, IS, JP, KE, KG, KN, KP, KR, KZ, LA, LC, LK, LR, LS, LT, LU, LY, MA, MD, ME, MG, MK, MN, MW, MX, MY, MZ, NA, NG, NI, NO, NZ,

OM, PA, PE, PG, PH, PL, PT, QA, RO, RS, RU, RW, SA, SC, SD, SE, SG, SK, SL, SM, ST, SV, SY, TH, TJ, TM, TN, TR, TT, TZ, UA, UG, US, UZ, VC, VN, ZA, ZM, ZW.

(84) Designated States (unless otherwise indicated, for every kind of regional protection available): ARIPO (BW, GH, GM, KE, LR, LS, MW, MZ, NA, RW, SD, SL, SZ, TZ, UG, ZM, ZW), Eurasian (AM, AZ, BY, KG, KZ, RU, TJ, TM), European (AL, AT, BE, BG, CH, CY, CZ, DE, DK, EE, ES, FI, FR, GB, GR, HR, HU, IE, IS, IT, LT, LU, LV, MC, MK, MT, NL, NO, PL, PT, RO, RS, SE, SI, SK, SM, TR), OAPI (BF, BJ, CF, CG, CI, CM, GA, GN, GQ, GW, KM, ML, MR, NE, SN, TD, TG).

Published:
— with international search report (Art. 21(3))
— before the expiration of the time limit for amending the claims and to be republished in the event of receipt of amendments (Rule 48.2(h))

(88) Date of publication of the international search report:
31 December 2014



WO 2014/174543 A3

(54) Title: PLANT FOR MECHANICAL ENERGY PRODUCTION

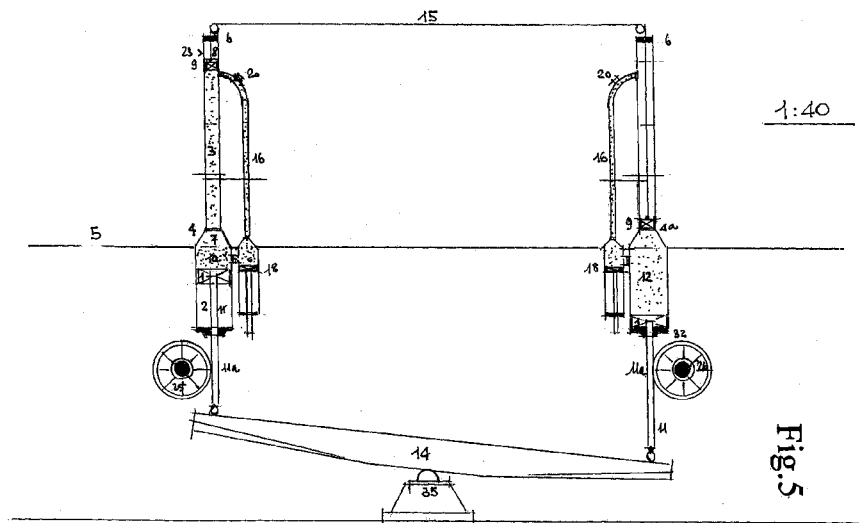


Fig. 5

(57) Abstract: "Process for the formation of mechanical movement derived from a plant of mechanical energy production"; with relative motion reduced in the integrated drive shaft and rocker arms; wit potential derived from a hydraulic system, starting from the constituent hydraulic columns, with the use of fluids compressed air and water, generating hydrostatic and hydrodynamic pressure and the relative forces applied; all in accordance with the principles of Stevin and Pascal.

INTERNATIONAL SEARCH REPORT

International application No
PCT/IT2014/000098

A. CLASSIFICATION OF SUBJECT MATTER
INV. F03B17/02 F03B17/04
ADD.
According to International Patent Classification (IPC) or to both national classification and IPC

B. FIELDS SEARCHED
Minimum documentation searched (classification system followed by classification symbols)
F03B

Documentation searched other than minimum documentation to the extent that such documents are included in the fields searched

Electronic data base consulted during the international search (name of data base and, where practicable, search terms used)
EPO-Internal, WPI Data

C. DOCUMENTS CONSIDERED TO BE RELEVANT

Category*	Citation of document, with indication, where appropriate, of the relevant passages	Relevant to claim No.
A	WO 2013/020187 A1 (DEBAILLEUL GERARD [BE]; GASSEE PASCAL [BE]) 14 February 2013 (2013-02-14) abstract; figures 1-2 -----	1-8
A	DE 10 2011 018425 A1 (BRINKER KARL-HEINZ [DE]) 22 November 2012 (2012-11-22) abstract; figures 1-6 -----	1-8
A	DE 20 2010 011088 U1 (SCHMID HEINRICH [DE]) 3 March 2011 (2011-03-03) abstract figures 1-2 -----	1-8
A	DE 10 2010 004682 A1 (LEV DAVYDOV [DE]) 6 September 2012 (2012-09-06) abstract; figures 1-5 -----	1-8

Further documents are listed in the continuation of Box C.

See patent family annex.

* Special categories of cited documents :

- "A" document defining the general state of the art which is not considered to be of particular relevance
- "E" earlier application or patent but published on or after the international filing date
- "L" document which may throw doubts on priority claim(s) or which is cited to establish the publication date of another citation or other special reason (as specified)
- "O" document referring to an oral disclosure, use, exhibition or other means
- "P" document published prior to the international filing date but later than the priority date claimed

"T" later document published after the international filing date or priority date and not in conflict with the application but cited to understand the principle or theory underlying the invention

"X" document of particular relevance; the claimed invention cannot be considered novel or cannot be considered to involve an inventive step when the document is taken alone

"Y" document of particular relevance; the claimed invention cannot be considered to involve an inventive step when the document is combined with one or more other such documents, such combination being obvious to a person skilled in the art

"&" document member of the same patent family

Date of the actual completion of the international search 22 September 2014	Date of mailing of the international search report 24/10/2014
--	--

Name and mailing address of the ISA/ European Patent Office, P.B. 5818 Patentlaan 2 NL - 2280 HV Rijswijk Tel. (+31-70) 340-2040, Fax: (+31-70) 340-3016	Authorized officer Cabrele, Silvio
--	---

INTERNATIONAL SEARCH REPORT

Information on patent family members

International application No

PCT/IT2014/000098

Patent document cited in search report	Publication date	Patent family member(s)	Publication date
WO 2013020187 A1	14-02-2013	BE 1020186 A5 WO 2013020187 A1	04-06-2013 14-02-2013

DE 102011018425 A1	22-11-2012	NONE	

DE 202010011088 U1	03-03-2011	NONE	

DE 102010004682 A1	06-09-2012	NONE	
