



US00D402122S

United States Patent [19] Grant

[11] Patent Number: **Des. 402,122**

[45] Date of Patent: ****Dec. 8, 1998**

[54] **SWIVEL PICTURE FRAME**

[76] Inventor: **Marcia Grant**, 15 Miller Hill Dr.,
LaGrangeville, N.Y. 12540

[**] Term: **14 Years**

[21] Appl. No.: **77,011**

[22] Filed: **Sep. 19, 1997**

[51] **LOC (6) Cl.** **06-07**

[52] **U.S. Cl.** **D6/312; D6/301**

[58] **Field of Search** D6/300-314; 248/469,
248/474; 40/700, 711, 714, 716, 745, 765,
780, 790, 791, 798, 799, 723, 734, 747,
757, 759

[56] **References Cited**

U.S. PATENT DOCUMENTS

D. 248,525	7/1978	Eckel et al.	D6/301
D. 276,012	10/1984	Westcott et al.	D6/301
1,835,033	12/1931	Fischer	40/747
2,140,666	12/1938	Chmielewski et al.	40/747

Primary Examiner—Janice E. Seeger
Attorney, Agent, or Firm—Schmeiser, Olsen & Watts

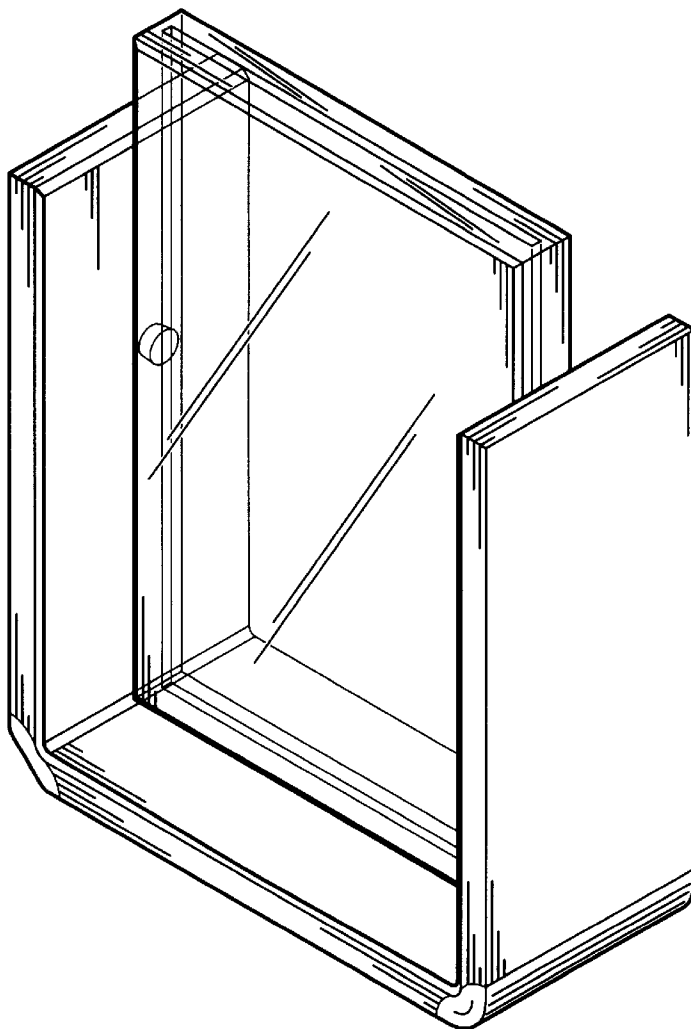
[57] **CLAIM**

The ornamental design for a swivel picture frame, as shown and described.

DESCRIPTION

FIG. 1 is a top view of the swivel picture frame; FIG. 2 is a front elevational view of the swivel picture frame the rear being identical thereto; FIG. 3 is a side view of the swivel picture frame the opposite side being identical thereto; FIG. 4 is a bottom view of the swivel picture frame; FIG. 5 is a first perspective view of the swivel picture frame; FIG. 6 is a second perspective view of the swivel picture frame; and, FIG. 7 is a perspective view of an alternate embodiment of the swivel picture frame. The broken line portions of FIG. 2 are for illustrative purposes only and form no part of the claimed design.

1 Claim, 3 Drawing Sheets



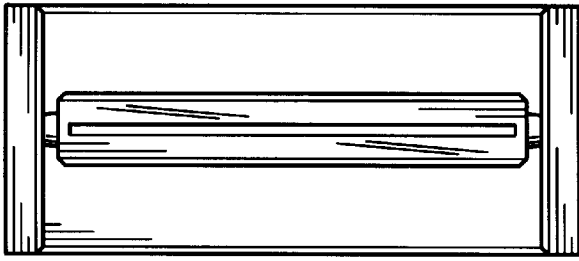


FIG. 1

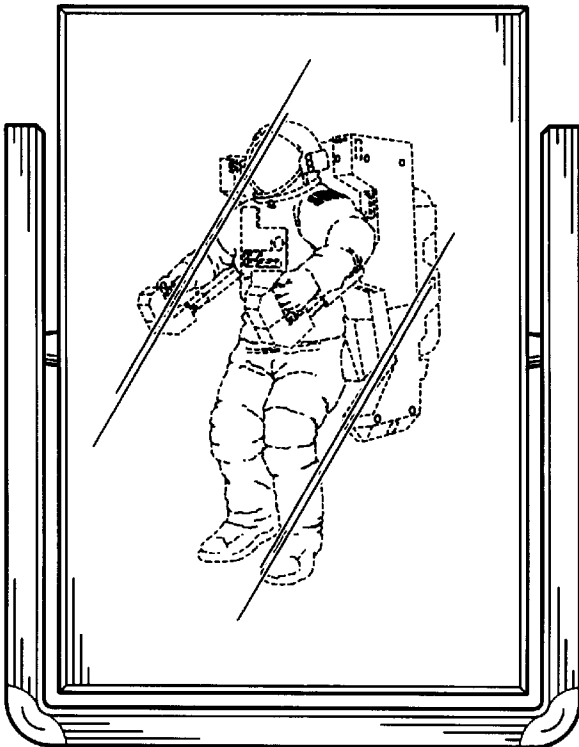


FIG. 2

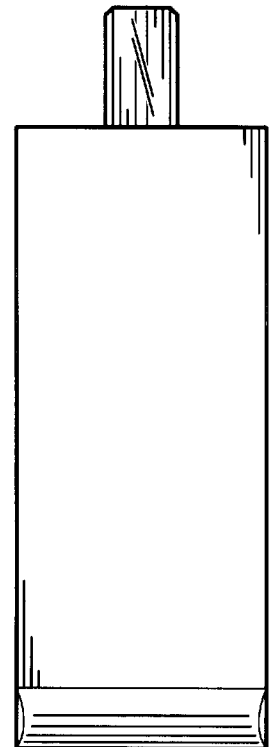


FIG. 3

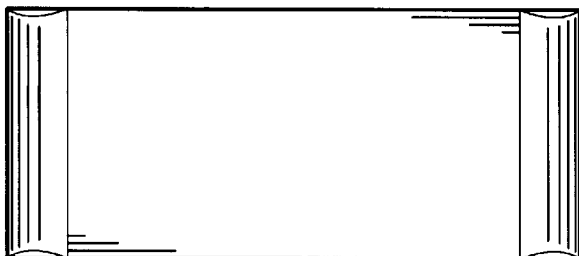


FIG. 4

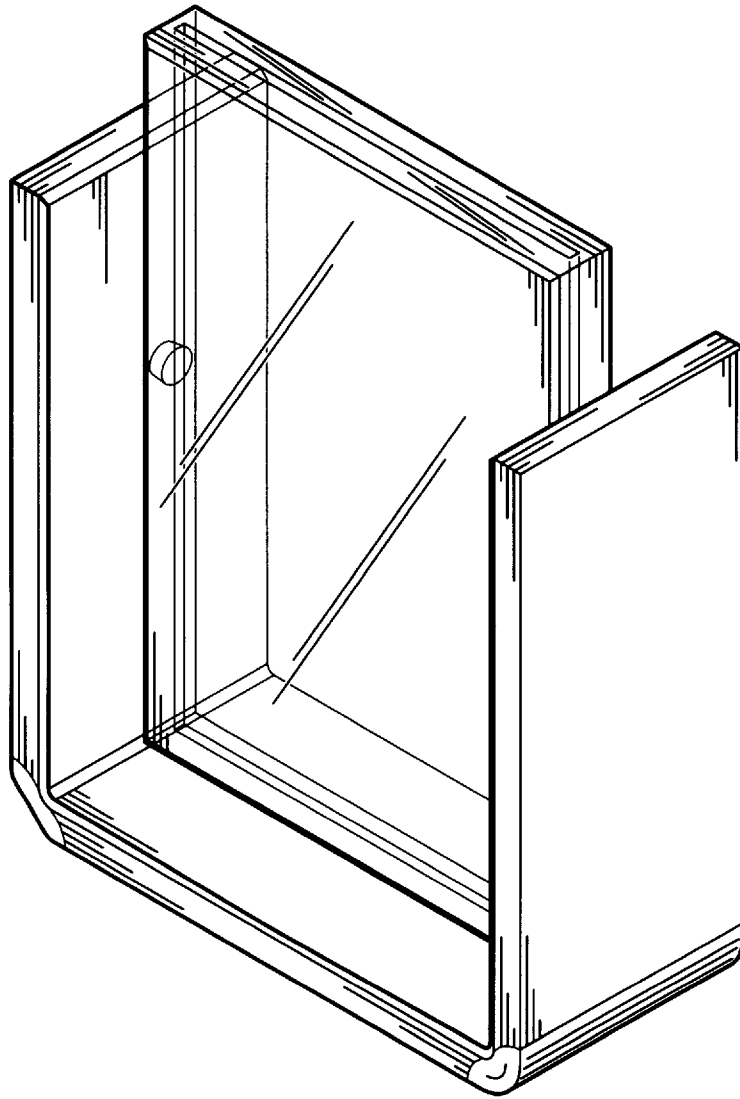


FIG. 5

FIG. 6

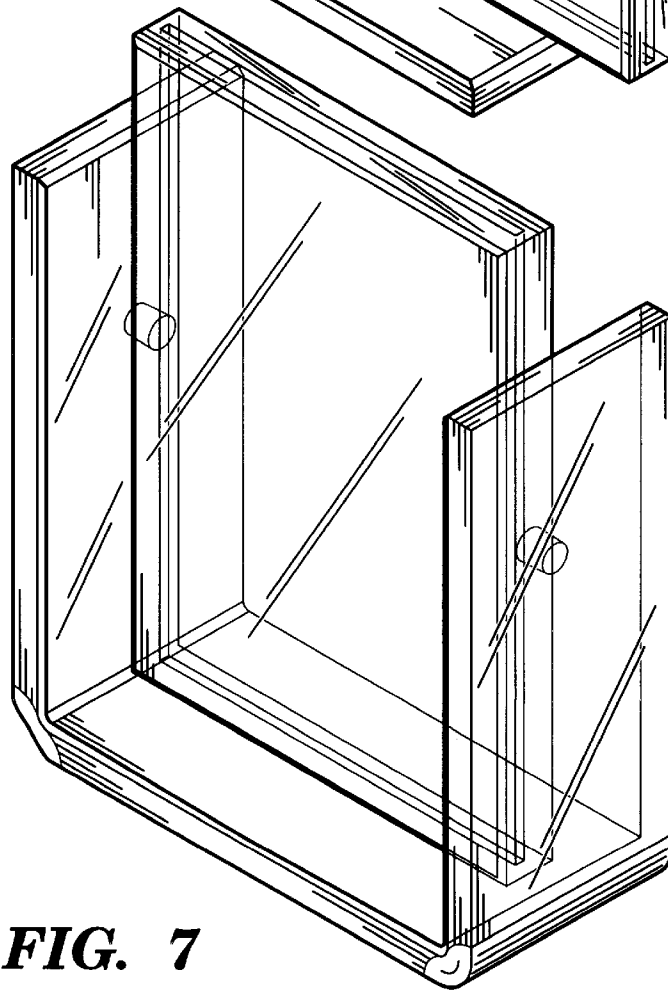
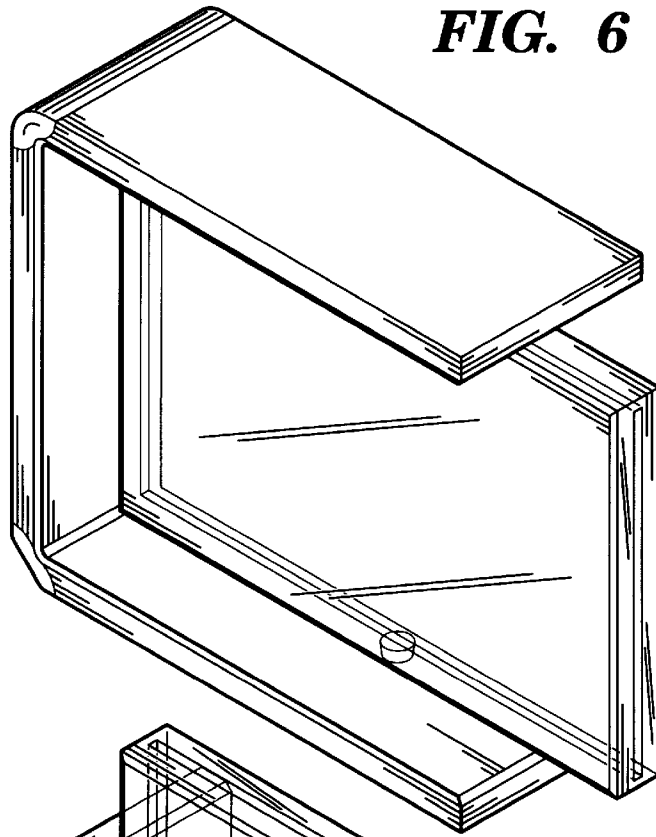


FIG. 7