

(19) World Intellectual Property Organization  
International Bureau



(43) International Publication Date  
9 April 2009 (09.04.2009)

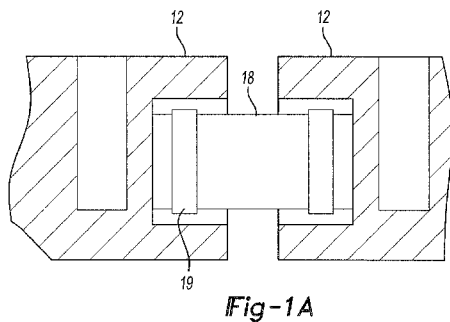
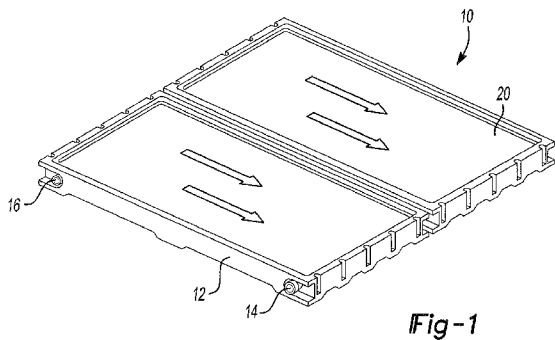
PCT

(10) International Publication Number  
WO 2009/046352 A3

- (51) International Patent Classification:  
*H01L 31/042* (2006.01)
- (21) International Application Number:  
PCT/US2008/078822
- (22) International Filing Date: 3 October 2008 (03.10.2008)
- (25) Filing Language: English
- (26) Publication Language: English
- (30) Priority Data:  
60/977,407 4 October 2007 (04.10.2007) US
- (71) Applicant (for all designated States except US): **POWER PANEL, INC.** [US/US]; 581 S. Coats Road, Oxford, Michigan 48371 (US).
- (72) Inventors; and
- (75) Inventors/Applicants (for US only): **SCHULTZ, Garth J.** [CA/US]; 581 South Coats Road, Oxford, Michigan 48371 (US). **LESLIE, Scott** [CA/CA]; 7 Bowes-Lyon Court, Markham, Ontario L6C 1E6 (CA). **BUTTERY, Ken** [US/US]; 9988 Walgene Rd., South Lyon, Michigan 48178 (US).
- (74) Agents: **ALBERDI, Fernando** et al.; Harness, Dickey & Pierce, P.L.C., P.O. Box 828, Bloomfield Hills, Michigan 48303 (US).
- (81) Designated States (unless otherwise indicated, for every kind of national protection available): AE, AG, AL, AM, AO, AT, AU, AZ, BA, BB, BG, BH, BR, BW, BY, BZ, CA, CH, CN, CO, CR, CU, CZ, DE, DK, DM, DO, DZ, EC, EE, EG, ES, FI, GB, GD, GE, GH, GM, GT, HN, HR, HU, ID, IL, IN, IS, JP, KE, KG, KM, KN, KP, KR, KZ, LA, LC, LK, LR, LS, LT, LU, LY, MA, MD, ME, MG, MK, MN, MW, MX, MY, MZ, NA, NG, NI, NO, NZ, OM, PG, PH, PL, PT, RO, RS, RU, SC, SD, SE, SG, SK, SL, SM, ST, SV, SY, TJ, TM, TN, TR, TT, TZ, UA, UG, US, UZ, VC, VN, ZA, ZM, ZW.
- (84) Designated States (unless otherwise indicated, for every kind of regional protection available): ARIPO (BW, GH, GM, KE, LS, MW, MZ, NA, SD, SL, SZ, TZ, UG, ZM, ZW), Eurasian (AM, AZ, BY, KG, KZ, MD, RU, TJ, TM), European (AT, BE, BG, CH, CY, CZ, DE, DK, EE, ES, FI, FR, GB, GR, HR, HU, IE, IS, IT, LT, LU, LV, MC, MT, NL,

[Continued on next page]

(54) Title: POWER PANEL



(57) Abstract: A power panel designed to incorporate a means of both thermal energy production and electrical energy production from the solar energy produced by the sun. The power panel comprises: a synthetic molded enclosure comprising a solar radiation top surface, bottom surface and sidewalls; and a transparent panel disposed on said synthetic molded enclosure. The transparent panel is adapted to insulate the thermal energy captured by the liquid circulating in the enclosure. The enclosure includes a plurality of segmented partitions adapted to form liquid pathways for channeling a liquid through the enclosure when the transparent panel is disposed on the segmented partitions thereby forming a liquid boundary in proximate contact with the segmented partitions and with the liquid in said enclosure. The power panel can also generate electrical power by incorporating a solar panel disposed between the enclosure and the transparent panel, wherein the solar panel forms a liquid boundary for the liquid circulating in the synthetic enclosure.



WO 2009/046352 A3



NO, PL, PT, RO, SE, SI, SK, TR), OAPI (BF, BJ, CF, CG,  
CI, CM, GA, GN, GQ, GW, ML, MR, NE, SN, TD, TG).

— *before the expiration of the time limit for amending the  
claims and to be republished in the event of receipt of  
amendments*

**Declaration under Rule 4.17:**

— *of inventorship (Rule 4.17(iv))*

**Published:**

— *with international search report*

**(88) Date of publication of the international search report:**

11 June 2009

**A. CLASSIFICATION OF SUBJECT MATTER*****H01L 31/042(2006.01)i***

According to International Patent Classification (IPC) or to both national classification and IPC

**B. FIELDS SEARCHED**

Minimum documentation searched (classification system followed by classification symbols)

IPC : H01L 31

Documentation searched other than minimum documentation to the extent that such documents are included in the fields searched

Korean utility models and applications for utility models since 1975.

Japanese utility models and applications for utility models since 1975.

Electronic data base consulted during the international search (name of data base and, where practicable, search terms used)

eKIPASS( KIPO internal )

**C. DOCUMENTS CONSIDERED TO BE RELEVANT**

Category*	Citation of document, with indication, where appropriate, of the relevant passages	Relevant to claim No.
A	US 5,522,944 A( AMI ELAZARI ) 04 June 1996 See abstract and fig3.	1-21
A	US 2006/0151022 A1( PAUL LAWHEED ) 13 July 2006 See abstract and figs 1~4.	1-21
A	JP 11-281166 A( MITSUBISHI ELECTRIC CORP. ) 15 October 1999 See abstract and figs 1~2.	1-21
A	JP 59-032745 A( SANYO ELECTRIC CO., LTD. ) 22 February 1984 See abstract and figs 2~5.	1-21

 Further documents are listed in the continuation of Box C. See patent family annex.

\* Special categories of cited documents:

"A" document defining the general state of the art which is not considered to be of particular relevance

"E" earlier application or patent but published on or after the international filing date

"L" document which may throw doubts on priority claim(s) or which is cited to establish the publication date of citation or other special reason (as specified)

"O" document referring to an oral disclosure, use, exhibition or other means

"P" document published prior to the international filing date but later than the priority date claimed

"T" later document published after the international filing date or priority date and not in conflict with the application but cited to understand the principle or theory underlying the invention

"X" document of particular relevance; the claimed invention cannot be considered novel or cannot be considered to involve an inventive step when the document is taken alone

"Y" document of particular relevance; the claimed invention cannot be considered to involve an inventive step when the document is combined with one or more other such documents, such combination being obvious to a person skilled in the art

"&amp;" document member of the same patent family

Date of the actual completion of the international search

29 APRIL 2009 (29.04.2009)

Date of mailing of the international search report

**29 APRIL 2009 (29.04.2009)**

Name and mailing address of the ISA/KR

Korean Intellectual Property Office  
Government Complex-Daejeon, 139 Seonsa-ro, Seo-  
gu, Daejeon 302-701, Republic of Korea

Facsimile No. 82-42-472-7140

Authorized officer

KOH, JAE HYUN

Telephone No. 82-42-481-5687



**INTERNATIONAL SEARCH REPORT**

Information on patent family members

International application No.

**PCT/US2008/078822**

Patent document cited in search report	Publication date	Patent family member(s)	Publication date
US 5522944 A	04.06.1996	IL 96989 D0	29.03.1992
US 2006-0151022 A1	13.07.2006	AU 2003-293459 A1 EP 1631994 A1 EP 1631994 A4 US 2004-0045596 A1 WO 2005-006452 A1	28.01.2005 08.03.2006 30.08.2006 11.03.2004 20.01.2005
JP 11-281166 A	15.10.1999	None	
JP 59-032745 A	22.02.1984	AU 1790183 A AU 556998 B2 US 4493940 A	16.02.1984 27.11.1986 15.01.1985