



US00D993799S

(12) **United States Design Patent**
Wright et al.

(10) **Patent No.:** **US D993,799 S**

(45) **Date of Patent:** **** Aug. 1, 2023**

(54) **PROTECTION CASE FOR AN ELECTRONIC TRACKING DEVICE**

2023], Available from the internet URL: <<https://www.amazon.com/AirTag-Protective-Scratch-Resistance-Accessory/dp/B093346F69?th=1>>. (Year: 2021).*

(71) Applicant: **Catalyst Lifestyle Limited**, North Point (HK)

(Continued)

(72) Inventors: **Joshua Wright**, Hong Kong (CN);
June Lai, Hong Kong (CN)

Primary Examiner — George D. Kirschbaum

Assistant Examiner — Lillian Windham

(73) Assignee: **CATALYST LIFESTYLE LIMITED**, North Point (HK)

(74) *Attorney, Agent, or Firm* — Dinsmore & Shohl LLP

(**) Term: **15 Years**

(57) **CLAIM**

The ornamental design for a protection case for an electronic tracking device, as shown and described.

(21) Appl. No.: **29/829,656**

DESCRIPTION

(22) Filed: **Mar. 7, 2022**

(30) **Foreign Application Priority Data**

Sep. 8, 2021 (CN) 202130593948.3

(51) **LOC (14) Cl.** **10-06**

(52) **U.S. Cl.** **D10/121**
USPC

(58) **Field of Classification Search**
USPC D10/70, 97, 103, 104.1, 104.2, 106.1, D10/106.6, 106.9, 106.94, 121; D3/201, (Continued)

FIG. 1 is a perspective view including the front, bottom, and side of a protection case for an electronic tracking device; FIG. 2 is a perspective view including the front, top, and side of the protection case for an electronic tracking device; FIG. 3 is a front elevation view of the protection case for an electronic tracking device; FIG. 4 is a rear elevation view of the protection case for an electronic tracking device; FIG. 5 is a side elevation view of the protection case for an electronic tracking device; FIG. 6 is an opposite side elevation view of the protection case for an electronic tracking device; FIG. 7 is a top plan view of the protection case for an electronic tracking device; and, FIG. 8 is a bottom plan view of the protection case for an electronic tracking device.

(56) **References Cited**

U.S. PATENT DOCUMENTS

2,511,651 A * 6/1950 Schlitz A47G 1/12 63/15
3,407,523 A * 10/1968 Emanuela A01K 11/00 359/546

The protection case for an electronic tracking device is shown with a symbolic break in its length; the appearance of any portion of the article between the break lines forms no part of the claimed design.

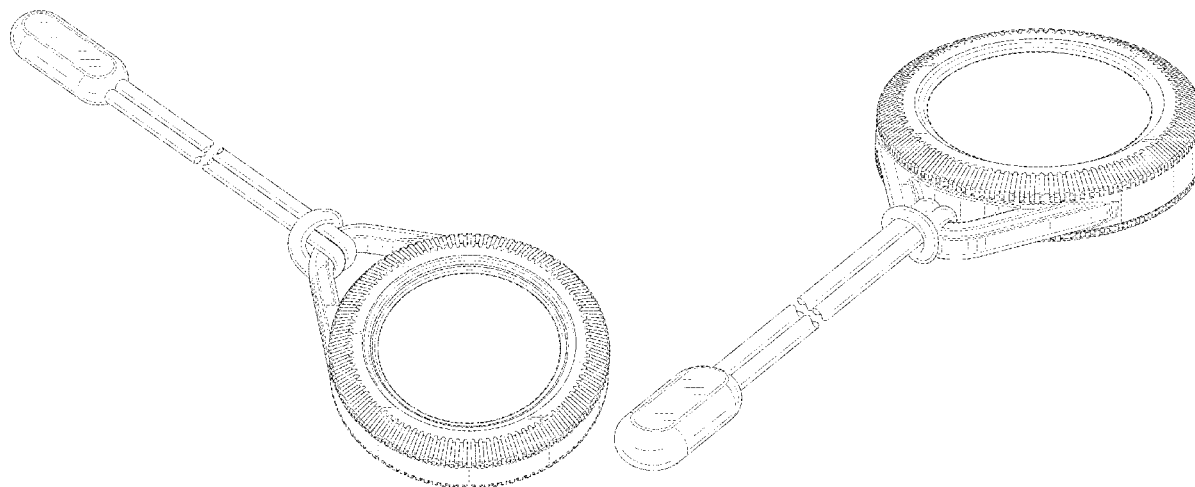
(Continued)

The broken lines depict portions of the protection case for an electronic tracking device that form no part of the claimed design.

OTHER PUBLICATIONS

Belkin Apple Airtag Secure Holder with Strap, available in Amazon.com, date first available Apr. 26, 2021 [online], [site visited Mar. 7,

1 Claim, 6 Drawing Sheets



(58) **Field of Classification Search**

USPC D3/203.2, 207, 208, 210, 215, 218, 229,
 D3/273; D11/78.1, 80, 221; D14/192,
 D14/203.1, 203.6, 216, 251, 253, 344;
 D30/155
 CPC G08B 13/2434; G08B 21/0291; E05B
 73/0023; E05B 73/0041
 See application file for complete search history.

(56) **References Cited**

U.S. PATENT DOCUMENTS

D389,999 S * 2/1998 Daigle D6/525
 D390,493 S 2/1998 Fletcher
 D431,341 S * 9/2000 DiPaolo D3/208
 D456,986 S * 5/2002 Truisi D3/208
 D463,104 S * 9/2002 Ames D3/207
 D519,057 S * 4/2006 Gracer D11/221
 D526,916 S 8/2006 Oas
 D596,514 S * 7/2009 Luzar D10/70
 D619,499 S 7/2010 Weyer
 D625,761 S 10/2010 Pavlik
 D630,112 S 1/2011 Maruyama et al.
 D647,810 S * 11/2011 Bohrer D10/106.9
 D666,112 S 8/2012 Chang
 D683,251 S * 5/2013 Dumas D10/104.2
 D709,344 S 7/2014 Adelman
 D714,665 S 10/2014 Naughton et al.
 D717,537 S 11/2014 Tsai
 D728,393 S 5/2015 Au Yeung
 D730,225 S 5/2015 Behar
 D735,607 S * 8/2015 Oberwelz D11/221
 D746,709 S 1/2016 Heath et al.

D751,558 S 3/2016 Lee
 D799,297 S 10/2017 Manor
 D807,215 S 1/2018 Martin
 D834,303 S * 11/2018 Paz D3/203.1
 D834,771 S 11/2018 Theno
 D877,113 S * 3/2020 Jin D14/204
 D890,021 S 7/2020 Burke
 D904,386 S 12/2020 Luo
 D911,860 S 3/2021 Schoenherr et al.
 D919,890 S 5/2021 Chung
 D934,817 S * 11/2021 Svard D13/168
 D936,365 S * 11/2021 Chun D3/273
 D936,504 S * 11/2021 Dick D10/70
 D938,254 S 12/2021 Ormsbee
 D951,912 S * 5/2022 Lin D14/216
 D954,039 S 6/2022 Liu
 D960,017 S * 8/2022 Wu D10/121
 D960,146 S 8/2022 Song
 D962,632 S * 9/2022 Liu D10/104.1
 D972,836 S * 12/2022 Liu D10/104.1
 D974,945 S * 1/2023 Deng D10/121
 D976,576 S * 1/2023 Sirichai D3/207

OTHER PUBLICATIONS

Pelican Protector AirTag Holder, available in Amazon.com, date first available Jul. 9, 2021 [online], [site visited Mar. 7, 2023], Available from the internet URL: <<https://www.amazon.com/Pelican-Protector-Apple-AirTags-Carabiner/dp/B0992SDMH2/?th=1>>. (Year: 2021).*

U.S. Office Action dated Nov. 10, 2022 pertaining to U.S. Appl. No. 29/801,947, filed Aug. 2, 2021, 7 pages.

* cited by examiner

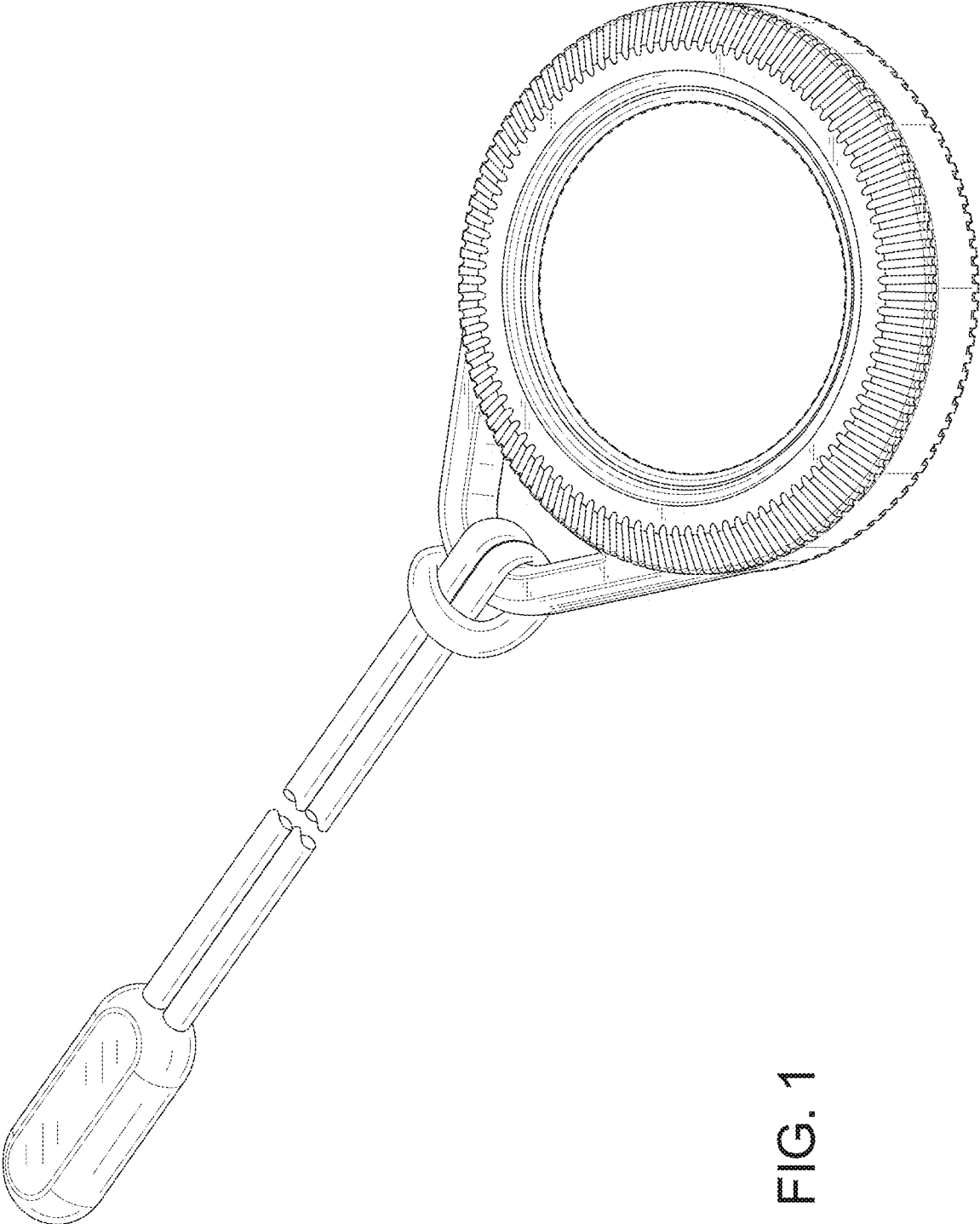


FIG. 1

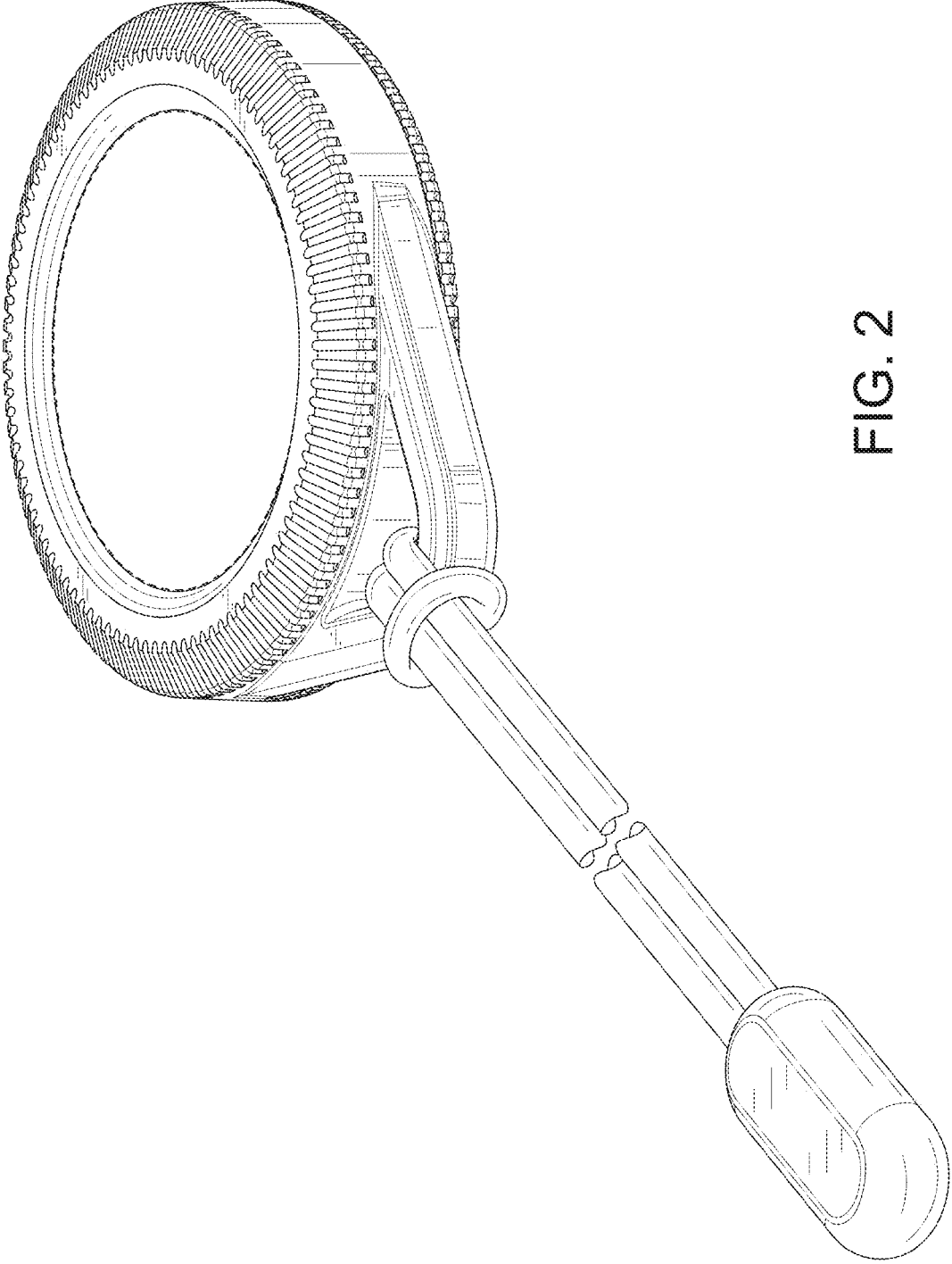


FIG. 2

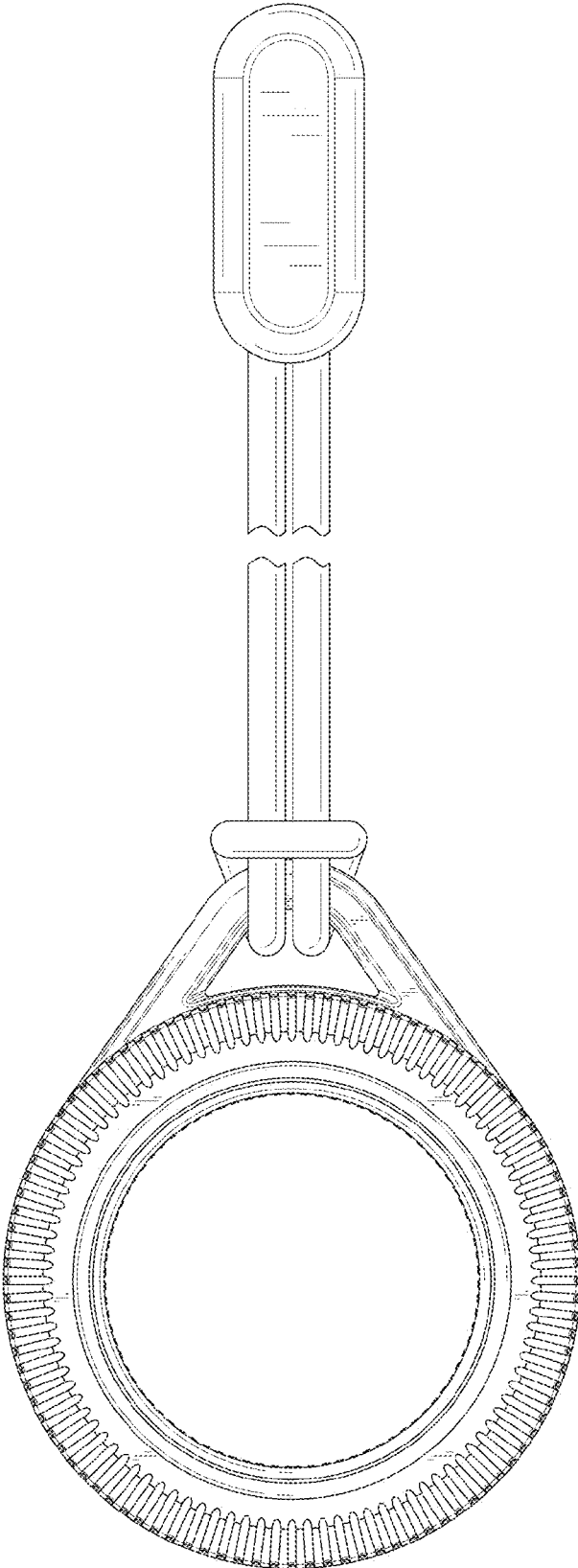


FIG. 3

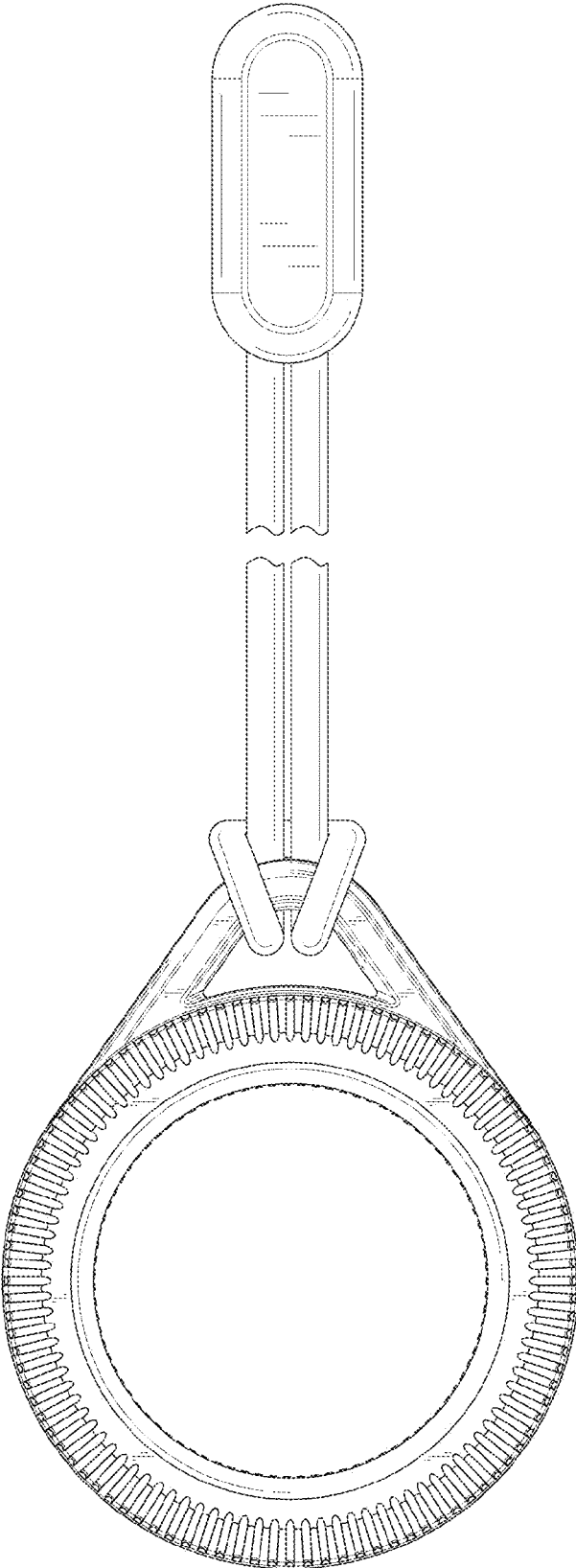


FIG. 4

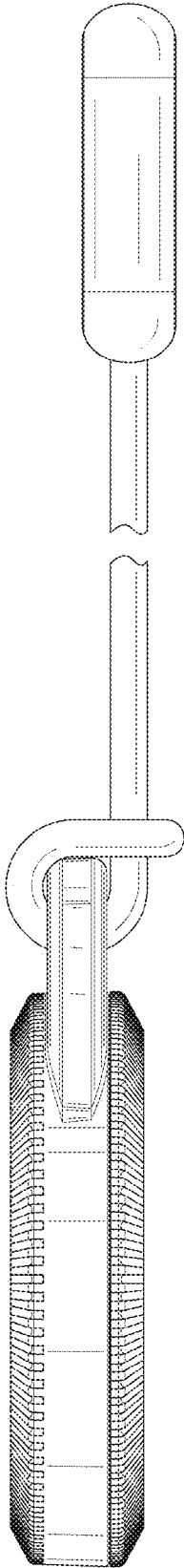


FIG. 5

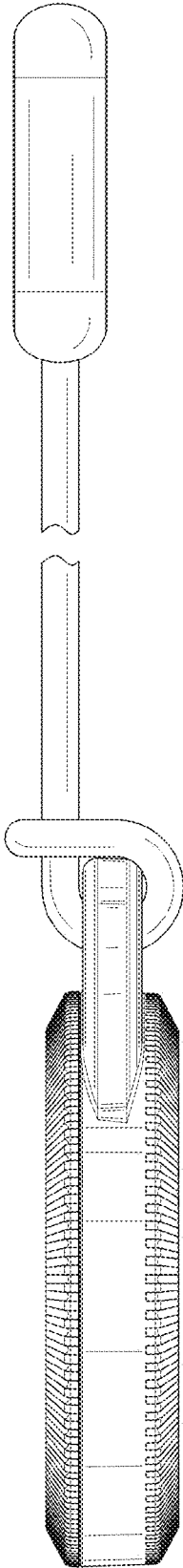


FIG. 6

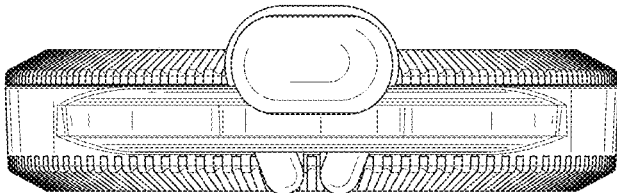


FIG. 7

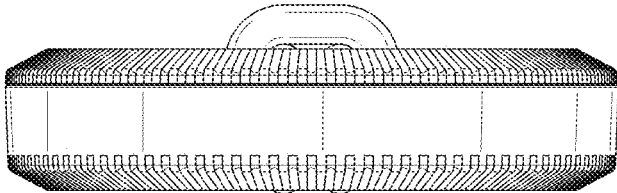


FIG. 8