

(19) World Intellectual Property Organization
International Bureau



(43) International Publication Date
21 February 2008 (21.02.2008)

PCT

(10) International Publication Number
WO 2008/021645 A3

- (51) **International Patent Classification:**
A61F 2/00 (2006.01)
- (21) **International Application Number:**
PCT/US2007/073573
- (22) **International Filing Date:** 16 July 2007 (16.07.2007)
- (25) **Filing Language:** English
- (26) **Publication Language:** English
- (30) **Priority Data:**
60/822,613 16 August 2006 (16.08.2006) US
11/622,545 12 January 2007 (12.01.2007) US
- (71) **Applicant (for all designated States except US):** AMI-CUS, LLC [US/US]; 12 Heritage Court, Grand Prairie, TX 75050 (US).
- (72) **Inventors; and**
- (75) **Inventors/Applicants (for US only):** BERRY, Bret [US/US]; 1838 E 9800 S, Sandy, UT 84092 (US). GUYER, Richard, D. [US/US]; 18401 Tumbridge Drive, Dallas, TX 75252-5034 (US). ZIGLER, Jack, E.

[US/US]; 5612 Stone Cliff Ct., Dallas, TX 75287 (US). PIKE, Adam, A. [US/US]; 313 Pheasant Ridge Circle, Bountiful, UT 84010 (US). RANDALL, Lee, F. [US/US]; P.O. Box 171869, Arlington, TX 76003 (US).

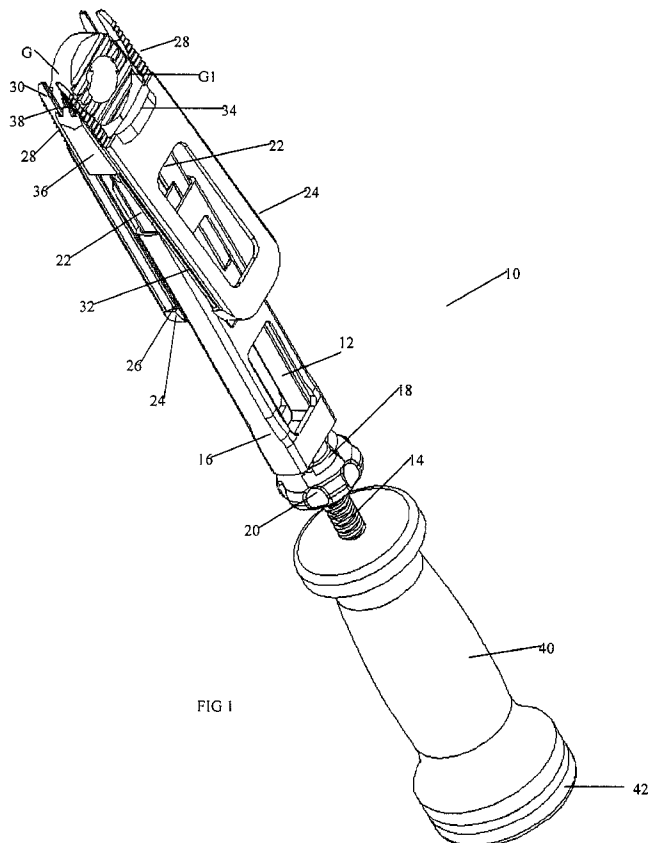
(74) **Agent:** DERNIER, Matthew, B.; Kaplan Gilman Gibson & Dernier LLP, 900 Route 9 North, Ste 504, Woodbridge, NJ 07095 (US).

(81) **Designated States (unless otherwise indicated, for every kind of national protection available):** AE, AG, AL, AM, AT, AU, AZ, BA, BB, BG, BH, BR, BW, BY, BZ, CA, CH, CN, CO, CR, CU, CZ, DE, DK, DM, DO, DZ, EC, EE, EG, ES, FI, GB, GD, GE, GH, GM, GT, HN, HR, HU, ID, IL, IN, IS, JP, KE, KG, KM, KN, KP, KR, KZ, LA, LC, LK, LR, LS, LT, LU, LY, MA, MD, ME, MG, MK, MN, MW, MX, MY, MZ, NA, NG, NI, NO, NZ, OM, PG, PH, PL, PT, RO, RS, RU, SC, SD, SE, SG, SK, SL, SM, SV, SY, TJ, TM, TN, TR, TT, TZ, UA, UG, US, UZ, VC, VN, ZA, ZM, ZW

(84) **Designated States (unless otherwise indicated, for every kind of regional protection available):** ARIPO (BW, GH,

[Continued on next page]

(54) **Title:** APPARATUS AND METHODS FOR INSERTING AN IMPLANT



(57) **Abstract:** A system and method for inserting an implant into a cavity is disclosed, which may include advancing an implant insertion instrument toward a pair of adjacent bodies, the implant insertion instrument having two opposed ramps, wherein each ramp has a distal tip and wherein the longitudinal axes of the opposed ramps are separated by an initial angle, inserting the distal tips of the opposed ramps between the adjacent bodies, thereby creating an initial interbody cavity between the adjacent bodies,- expanding the interbody cavity while maintaining the initial angle between the longitudinal axes of the opposed ramps,- placing the implant in a final location between the adjacent bodies,- transferring a compressive force urging the adjacent bodies together from the opposed ramps to the implant; and extracting the implant insertion instrument from the interbody cavity.

WO 2008/021645 A3



GM, KE, LS, MW, MZ, NA, SD, SL, SZ, TZ, UG, ZM, ZW), Eurasian (AM, AZ, BY, KG, KZ, MD, RU, TJ, TM), European (AT, BE, BG, CH, CY, CZ, DE, DK, EE, ES, FI, FR, GB, GR, HU, IE, IS, IT, LT, LU, LV, MC, MT, NL, PL, PT, RO, SE, SI, SK, TR), OAPI (BF, BJ, CF, CG, CI, CM, GA, GN, GQ, GW, ML, MR, NE, SN, TD, TG).

Published:

- *with international search report*
- *before the expiration of the time limit for amending the claims and to be republished in the event of receipt of amendments*

(88) Date of **publication of the international search report:**
4 September 2008

INTERNATIONAL SEARCH REPORT

International application No.

PCT/US07/73573

A. CLASSIFICATION OF SUBJECT MATTER

IPC: A61F 2/00(2006.01)

USPC: 606/99

According to International Patent Classification (IPC) or to both national classification and IPC

B. FIELDS SEARCHED

Minimum documentation searched (classification system followed by classification symbols)

U.S. : 606/99

Documentation searched other than minimum documentation to the extent that such documents are included in the fields searched

Electronic data base consulted during the international search (name of data base and, where practicable, search terms used)

C. DOCUMENTS CONSIDERED TO BE RELEVANT

Category *	Citation of document, with indication, where appropriate, of the relevant passages	Relevant to claim No.
X	US Pub 2004/002758 A1 (Landry et al.) 01 Jan 2004 (01.01.2004), entire doc	1-32
A	US Patent 6,478,800 (Fraser et al.) 12 Nov 2002 (12.11.2002), entire doc	1-32
A	US Publication 2005/01 65408 (Puno et al.) 28 Jul 2005 (28.07.2005), entire doc	1-32

Further documents are listed in the continuation of Box C.

See patent family annex.

<p>Special categories of cited documents:</p> <p>"A" document defining the general state of the art which is not considered to be of particular relevance</p> <p>"E" earlier application or patent published on or after the international filing date</p> <p>"L" document which may throw doubts on priority claim(s) or which is cited to establish the publication date of another citation or other special reason (as specified)</p> <p>"O" document referring to an oral disclosure, use, exhibition or other means</p> <p>"P" document published prior to the international filing date but later than the priority date claimed</p>	<p>"T" later document published after the international filing date or priority date and not in conflict with the application but cited to understand the principle or theory underlying the invention</p> <p>"X" document of particular relevance; the claimed invention cannot be considered novel or cannot be considered to involve an inventive step when the document is taken alone</p> <p>"Y" document of particular relevance; the claimed invention cannot be considered to involve an inventive step when the document is combined with one or more other such documents, such combination being obvious to a person skilled in the art</p> <p>"&" document member of the same patent family</p>
---	---

Date of the actual completion of the international search

08 June 2008 (08.06.2008)

Date of mailing of the international search report

18 JIFFIOS

Name and mailing address of the ISA/US

Mail Stop PCT, Attn: ISA/US
 Commissioner for Patents
 P.O. Box 14 0
 Alexandria, Virginia 223 13-1450

Facsimile No. (571) 273-3201

Authorized officer

Eduardo Robert

Telephone No. 571-272-4719

Amor H. H. H.

See 7