

(19) World Intellectual Property Organization
International Bureau



(43) International Publication Date
30 September 2010 (30.09.2010)

(10) International Publication Number
WO 2010/110965 A3

- (51) **International Patent Classification:**
G06F 3/01 (2006.01) G06F 3/041 (2006.01)
G06F 3/048 (2006.01)
- (21) **International Application Number:**
PCT/US2010/024514
- (22) **International Filing Date:**
18 February 2010 (18.02.2010)
- (25) **Filing Language:** English
- (26) **Publication Language:** English
- (30) **Priority Data:**
12/409,593 24 March 2009 (24.03.2009) US
- (71) **Applicant (for all designated States except US):** IMMERSION CORPORATION [US/US]; 801 Fox Lane, San Jose, CA 95131 (US).
- (72) **Inventors; and**
- (75) **Inventors/Applicants (for US only):** OLIEN, Neil, T. [CA/CA]; 4455 Madison Avenue, Montreal, Quebec, H4B 2V3 (CA). VISITACION, Allan [US/US]; 41555 Carol Common, Fremont, CA 74538 (US). KAPELUS, Aaron [CA/CA]; 3546 Durocher Street, Montreal, Quebec, H2X 2E5 (CA).
- (74) **Agent:** MEDLER, Teresa, U.; Medler Ferro PLLC, 8607 Rockdale Lane, Springfield, VA 22153 (US).

- (81) **Designated States (unless otherwise indicated, for every kind of national protection available):** AE, AG, AL, AM, AO, AT, AU, AZ, BA, BB, BG, BH, BR, BW, BY, BZ, CA, CH, CL, CN, CO, CR, CU, CZ, DE, DK, DM, DO, DZ, EC, EE, EG, ES, FI, GB, GD, GE, GH, GM, GT, HN, HR, HU, ID, IL, IN, IS, JP, KE, KG, KM, KN, KP, KR, KZ, LA, LC, LK, LR, LS, LT, LU, LY, MA, MD, ME, MG, MK, MN, MW, MX, MY, MZ, NA, NG, NI, NO, NZ, OM, PE, PG, PH, PL, PT, RO, RS, RU, SC, SD, SE, SG, SK, SL, SM, ST, SV, SY, TH, TJ, TM, TN, TR, TT, TZ, UA, UG, US, UZ, VC, VN, ZA, ZM, ZW.
- (84) **Designated States (unless otherwise indicated, for every kind of regional protection available):** ARIPO (BW, GH, GM, KE, LS, MW, MZ, NA, SD, SL, SZ, TZ, UG, ZM, ZW), Eurasian (AM, AZ, BY, KG, KZ, MD, RU, TJ, TM), European (AT, BE, BG, CH, CY, CZ, DE, DK, EE, ES, FI, FR, GB, GR, HR, HU, IE, IS, IT, LT, LU, LV, MC, MK, MT, NL, NO, PL, PT, RO, SE, SI, SK, SM, TR), OAPI (BF, BJ, CF, CG, CI, CM, GA, GN, GQ, GW, ML, MR, NE, SN, TD, TG).

Declarations under Rule 4.17:

- as to applicant's entitlement to apply for and be granted a patent (Rule 4.17(ii))
- as to the applicant's entitlement to claim the priority of the earlier application (Rule 4.17(iii))

[Continued on next page]

(54) **Title:** PLANAR SUSPENSION OF A HAPTIC TOUCH SCREEN

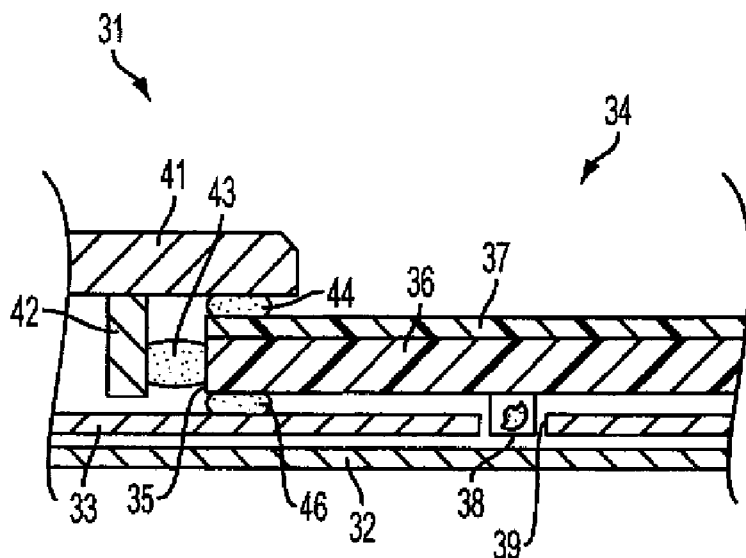


FIG. 3

(57) **Abstract:** A planar suspension of a haptic touch screen (or other haptic touch element) is disclosed wherein a haptic touch screen display within an electronic device has a generally planar top surface, a generally planar bottom surface, and edges extending between the top and bottom surfaces. A support structure at least partially surrounds the touch screen within the device and is outboard of and spaced from the edges of the touch screen. Compliant suspension elements are fixed to and extend between the edges of the touch screen and the support structure to suspend the touch screen movably from the outboard support structure. The suspension elements preferably are no thicker than the thickness of the touch screen. Relatively thin compliant backing elements are disposed between the bottom surface of the touch screen and an underlying support structure and a sealing element preferably is disposed between the periphery of the top surface and a surrounding bezel. The planar suspension allows for a substantially thinner overall di-

mension of the touch screen display and suspension assembly while isolating haptic effects to the screen and providing the feel of a rigidly mounted screen when the screen is pressed.

WO 2010/110965 A3



Published:

(88) Date of publication of the international search report:

23 December 2010

- *with international search report (Art. 21(3))*
- *before the expiration of the time limit for amending the claims and to be republished in the event of receipt of amendments (Rule 48.2(h))*

INTERNATIONAL SEARCH REPORT

International application No
PCT/US2010/024514

A. CLASSIFICATION OF SUBJECT MATTER
 INV. G06F3/01 G06F3/048 G06F3/041
 ADD.

According to International Patent Classification (IPC) or to both national classification and IPC

B. FIELDS SEARCHED

Minimum documentation searched (classification system followed by classification symbols)
 G06F

Documentation searched other than minimum documentation to the extent that such documents are included in the fields searched

Electronic data base consulted during the international search (name of data base and, where practical, search terms used)

EPO-Internal, WPI Data

C. DOCUMENTS CONSIDERED TO BE RELEVANT

Category*	Citation of document, with indication, where appropriate, of the relevant passages	Relevant to claim No.
X	US 2008/055277 A1 (TAKENAKA MIKIO [JP] ET AL) 6 March 2008 (2008-03-06) the whole document	1-29
X	US 2003/206202 A1 (MORIYA TAKASHIRO [JP]) 6 November 2003 (2003-11-06) the whole document	1-29
X	EP 1 691 263 A1 (APPLE COMPUTER [US]) 16 August 2006 (2006-08-16) the whole document	1-29
A	WO 2004/081776 A1 (HANDSHAKE INTERACTIVE TECHNOLO [CA]; WANG DAVID [CA]; ROSSI MAURO [CA]) 23 September 2004 (2004-09-23) the whole document	4, 15
	----- -/--	

Further documents are listed in the continuation of Box C.

See patent family annex.

* Special categories of cited documents:

- "A" document defining the general state of the art which is not considered to be of particular relevance
 "E" earlier document but published on or after the international filing date
 "L" document which may throw doubts on priority claim(s) or which is cited to establish the publication date of another citation or other special reason (as specified)
 "O" document referring to an oral disclosure, use, exhibition or other means
 "P" document published prior to the international filing date but later than the priority date claimed

- "T" later document published after the international filing date or priority date and not in conflict with the application but cited to understand the principle or theory underlying the invention
 "X" document of particular relevance; the claimed invention cannot be considered novel or cannot be considered to involve an inventive step when the document is taken alone
 "Y" document of particular relevance; the claimed invention cannot be considered to involve an inventive step when the document is combined with one or more other such documents, such combination being obvious to a person skilled in the art.
 "&" document member of the same patent family

Date of the actual completion of the international search

20 October 2010

Date of mailing of the international search report

05/11/2010

Name and mailing address of the ISA/

European Patent Office, P.B. 5818 Patentlaan 2
 NL - 2280 HV Rijswijk
 Tel. (+31-70) 340-2040,
 Fax: (+31-70) 340-3016

Authorized officer

Ryan, Michael

INTERNATIONAL SEARCH REPORT

International application No
PCT/US2010/024514

C(Continuation). DOCUMENTS CONSIDERED TO BE RELEVANT		
Category*	Citation of document, with indication, where appropriate, of the relevant passages	Relevant to claim No.
A	US 2006/022952 A1 (RYYNANEN MATTI [FI] RYYNAENEN MATTI [FI]) 2 February 2006 (2006-02-02) the whole document -----	1-29
A	DE 200 19 074 U1 (SIEMENS AG [DE]) 18 January 2001 (2001-01-18) the whole document -----	1-29

INTERNATIONAL SEARCH REPORT

Information on patent family members

International application No PCT/US2010/024514

Patent document cited in search report	Publication date	Publication date	Patent family member(s)	Publication date
US 2008055277 A1	06-03-2008	JP 2008059027 A		13-03-2008
US 2003206202 A1	06-11-2003	CN 1455615 A		12-11-2003
		GB 2391060 A		28-01-2004
		JP 2003323259 A		14-11-2003
EP 1691263 A1	16-08-2006	CA 2597500 A1		24-08-2006
		CN 1818840 A		16-08-2006
		GB 2423135 A		16-08-2006
		GB 2445308 A		02-07-2008
		GB 2457610 A		26-08-2009
		HK 1134705 A1		30-07-2010
		JP 2008532115 T		14-08-2008
		KR 20070110352 A		16-11-2007
		US 2006181517 A1		17-08-2006
		WO 2006088499 A1		24-08-2006
WO 2004081776 A1	23-09-2004	CA 2422265 A1		14-09-2004
US 2006022952 A1	02-02-2006	NONE		
DE 20019074 U1	18-01-2001	NONE		