



US00D551067S

(12) **United States Design Patent** (10) **Patent No.:** **US D551,067 S**  
**Kawamura** (45) **Date of Patent:** **\*\* Sep. 18, 2007**

(54) **CORD STOPPER**

(75) Inventor: **Ryoji Kawamura**, Taipei (TW)

(73) Assignee: **YKK Corporation**, Tokyo (JP)

(\*\*) Term: **14 Years**

(21) Appl. No.: **29/244,466**

(22) Filed: **Dec. 9, 2005**

(30) **Foreign Application Priority Data**

Jul. 28, 2005 (JP) ..... 2005-021935

(51) **LOC (8) Cl.** ..... **08-08**

(52) **U.S. Cl.** ..... **D8/383**

(58) **Field of Classification Search** ..... D8/356,  
D8/383, 394-396; 24/115 M, 115 R, 136 R;  
D11/212, 215; D2/978

See application file for complete search history.

(56) **References Cited**

**U.S. PATENT DOCUMENTS**

- D299,310 S \* 1/1989 Fildan ..... D8/356
- D308,281 S \* 6/1990 Bergman et al. .... D2/978
- D310,166 S \* 8/1990 Fildan ..... D8/383
- D343,570 S \* 1/1994 Meier ..... D8/383
- 5,337,458 A \* 8/1994 Fukutomi et al. .... 24/115 H
- 5,365,641 A \* 11/1994 Watanabe et al. .... 24/115 G
- D367,222 S \* 2/1996 Ikeda ..... D8/383
- D368,852 S \* 4/1996 Ikeda ..... D8/383
- D373,076 S \* 8/1996 Ikeda ..... D8/383
- D399,045 S \* 10/1998 Liston ..... D2/978
- D402,190 S \* 12/1998 Anscher ..... D8/383
- D417,388 S \* 12/1999 Kawahara ..... D8/383
- 6,018,851 A \* 2/2000 Anscher ..... 24/115 G
- 6,038,746 A \* 3/2000 Anscher et al. .... 24/115 G
- D430,484 S \* 9/2000 Ikeda ..... D8/383
- D439,148 S \* 3/2001 Ishii ..... D8/383
- D439,507 S \* 3/2001 Ikeda ..... D8/383
- 6,237,252 B1 \* 5/2001 Cook ..... 36/50.1
- D451,005 S \* 11/2001 Murata ..... D8/383

- D451,369 S \* 12/2001 Murata ..... D8/383
- D454,777 S \* 3/2002 Yoshiguchi ..... D8/383
- D465,408 S \* 11/2002 Man et al. .... D8/395
- D479,120 S \* 9/2003 Rodriguez, Jr. .... D8/383
- D481,300 S \* 10/2003 Nezu ..... D8/383
- D481,301 S \* 10/2003 Nezu ..... D8/383
- D485,488 S \* 1/2004 Tsukuda ..... D8/383
- D497,540 S \* 10/2004 Watabe et al. .... D8/383
- D499,330 S \* 12/2004 Peato ..... D8/383
- D507,736 S \* 7/2005 Wolfberg ..... D8/383

**FOREIGN PATENT DOCUMENTS**

- JP 1017388 8/1998
- JP 1173994 5/2003

\* cited by examiner

*Primary Examiner*—Holly H. Baynham

*Assistant Examiner*—Sheryl Friedman

(74) *Attorney, Agent, or Firm*—Everest Intellectual Property Law Group; Michael S. Leonard

(57) **CLAIM**

The ornamental design for a cord stopper, as shown and described.

**DESCRIPTION**

FIG. 1 is a front view of a cord stopper of the claimed design.

FIG. 2 is a right side view of the cord stopper of FIG. 1.

FIG. 3 is a top view of the cord stopper of FIG. 1.

FIG. 4 is a bottom view of the cord stopper of FIG. 1.

FIG. 5 is a perspective view of the cord stopper of FIG. 1; and,

FIG. 6 is a perspective reference view of the cord stopper of FIG. 1, showing it in use.

The broken line showing of the cord is included for the purpose of illustrating environmental structure and forms no part of the claimed design.

**1 Claim, 3 Drawing Sheets**

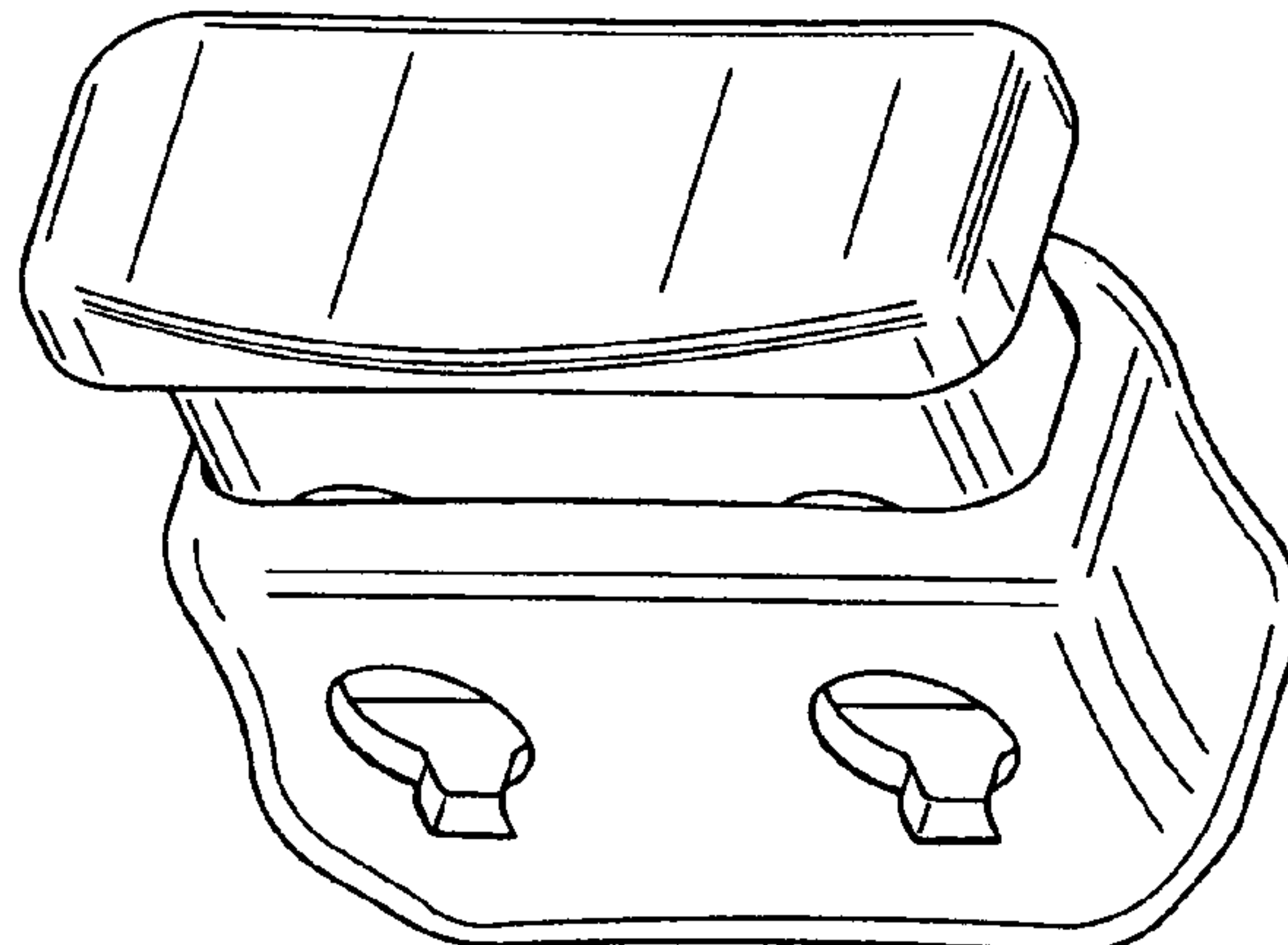


FIG. 1

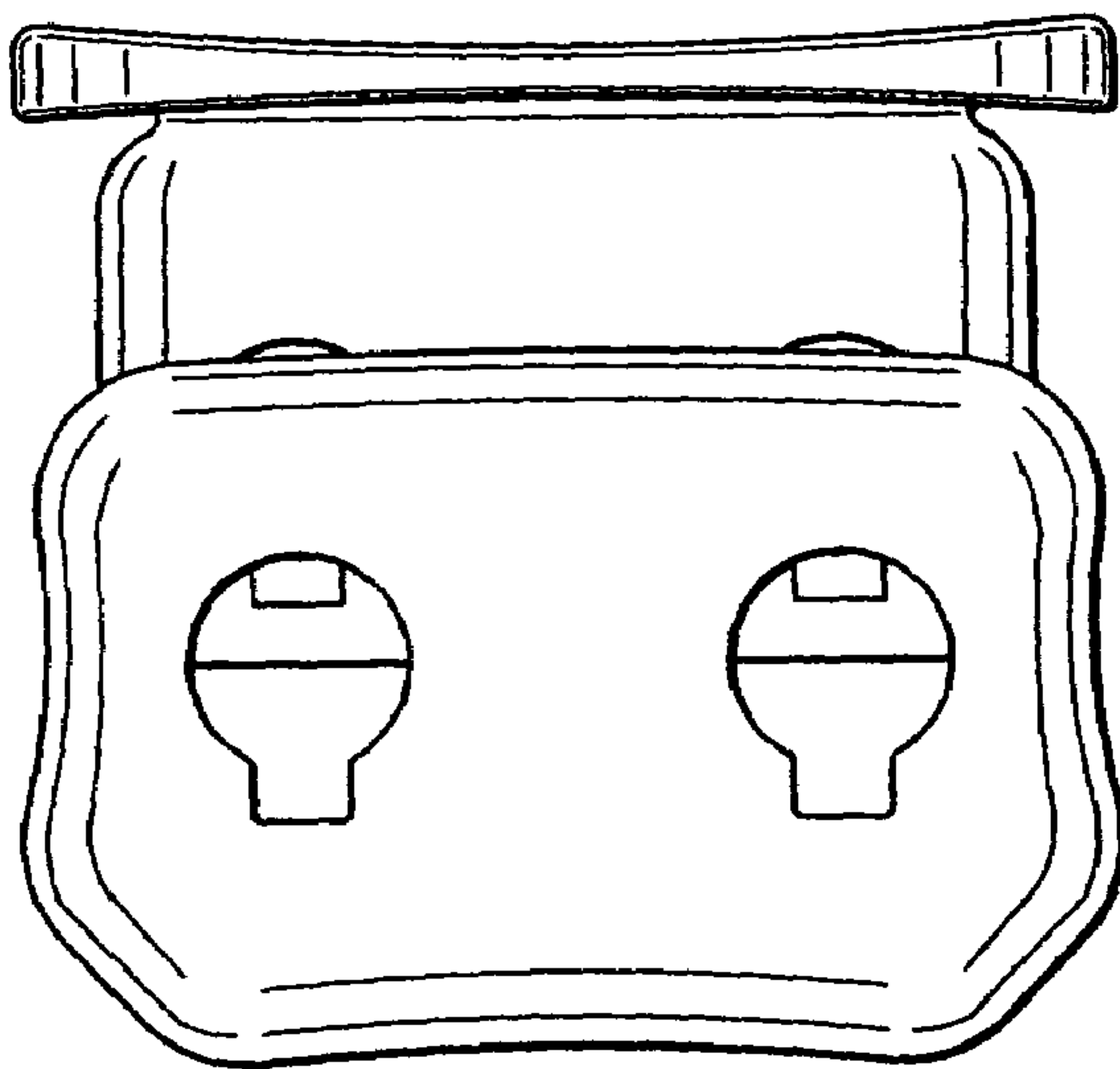


FIG. 2

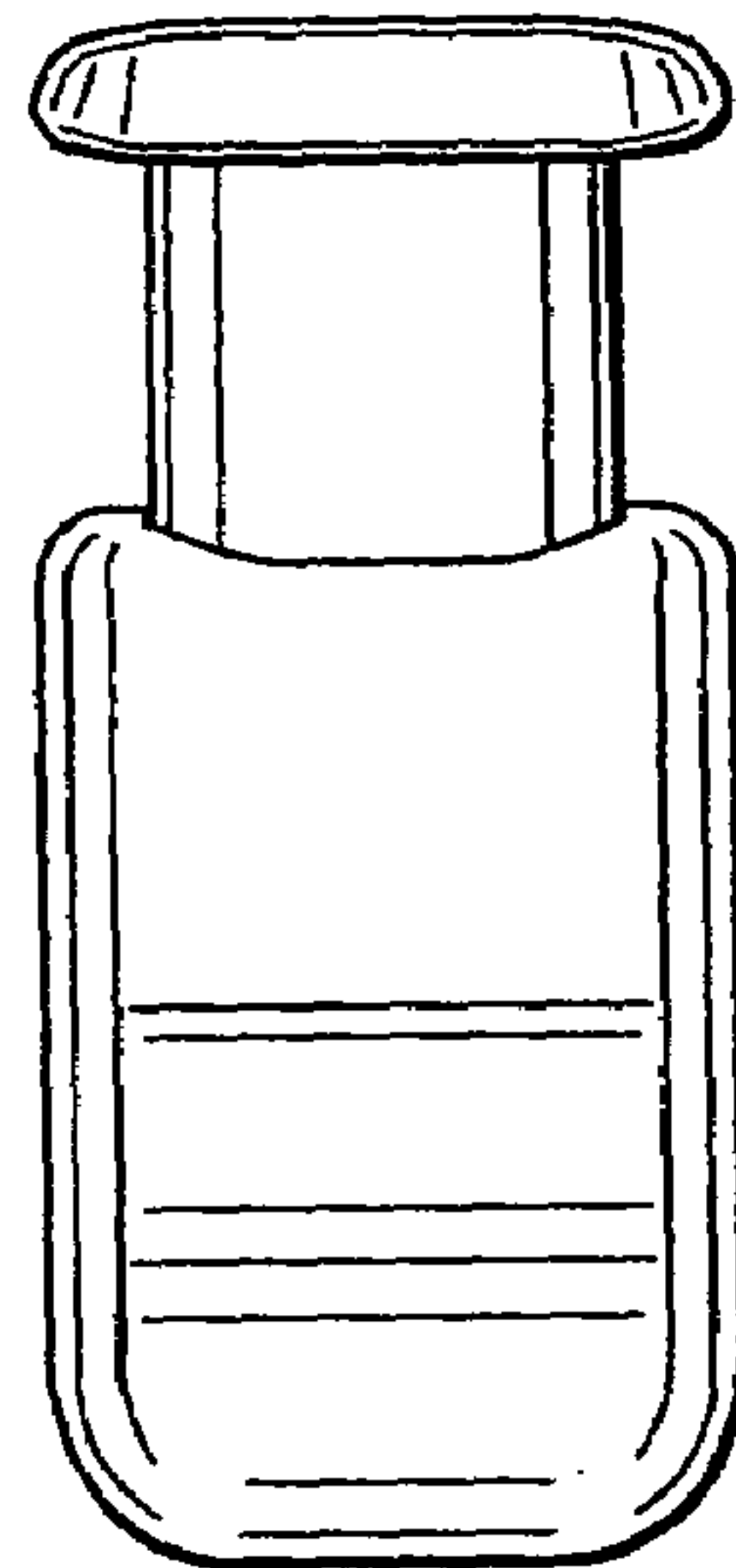


FIG. 3

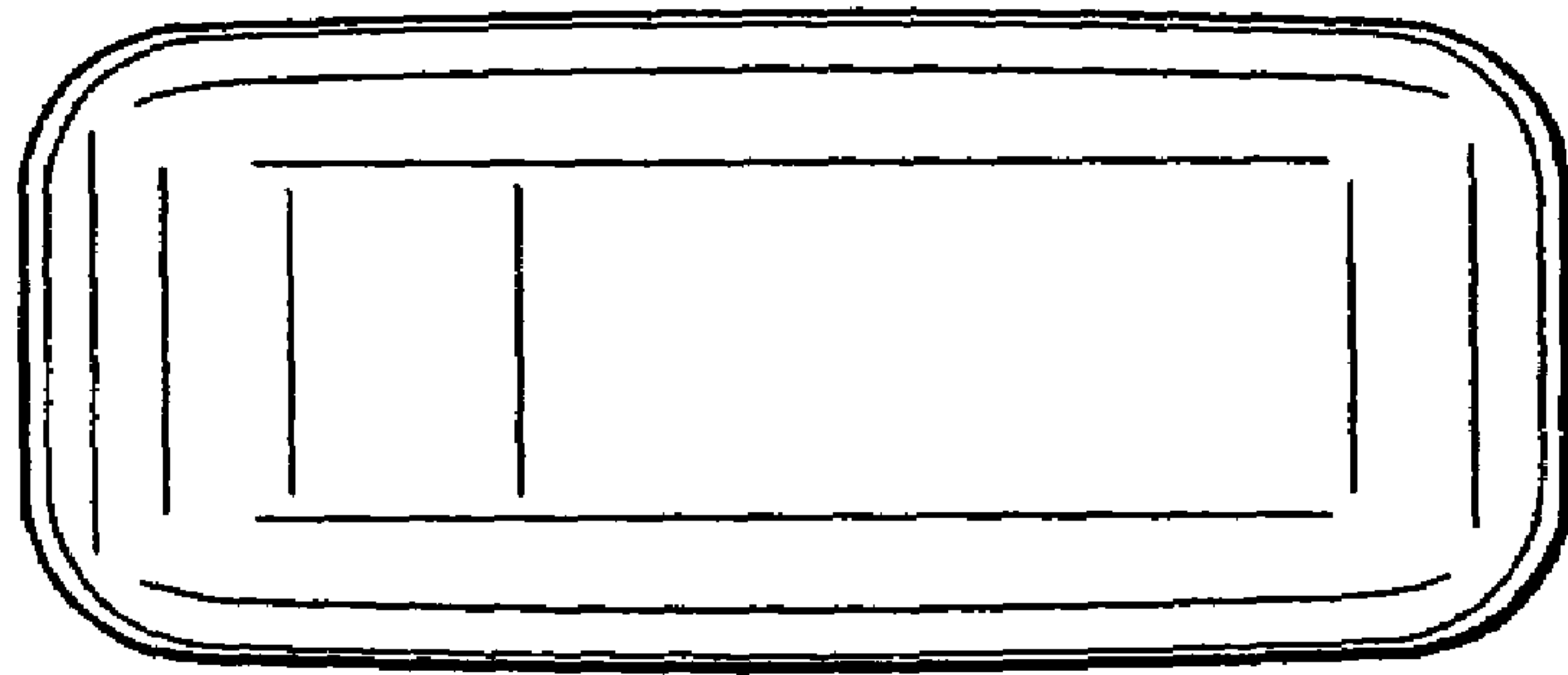


FIG. 4

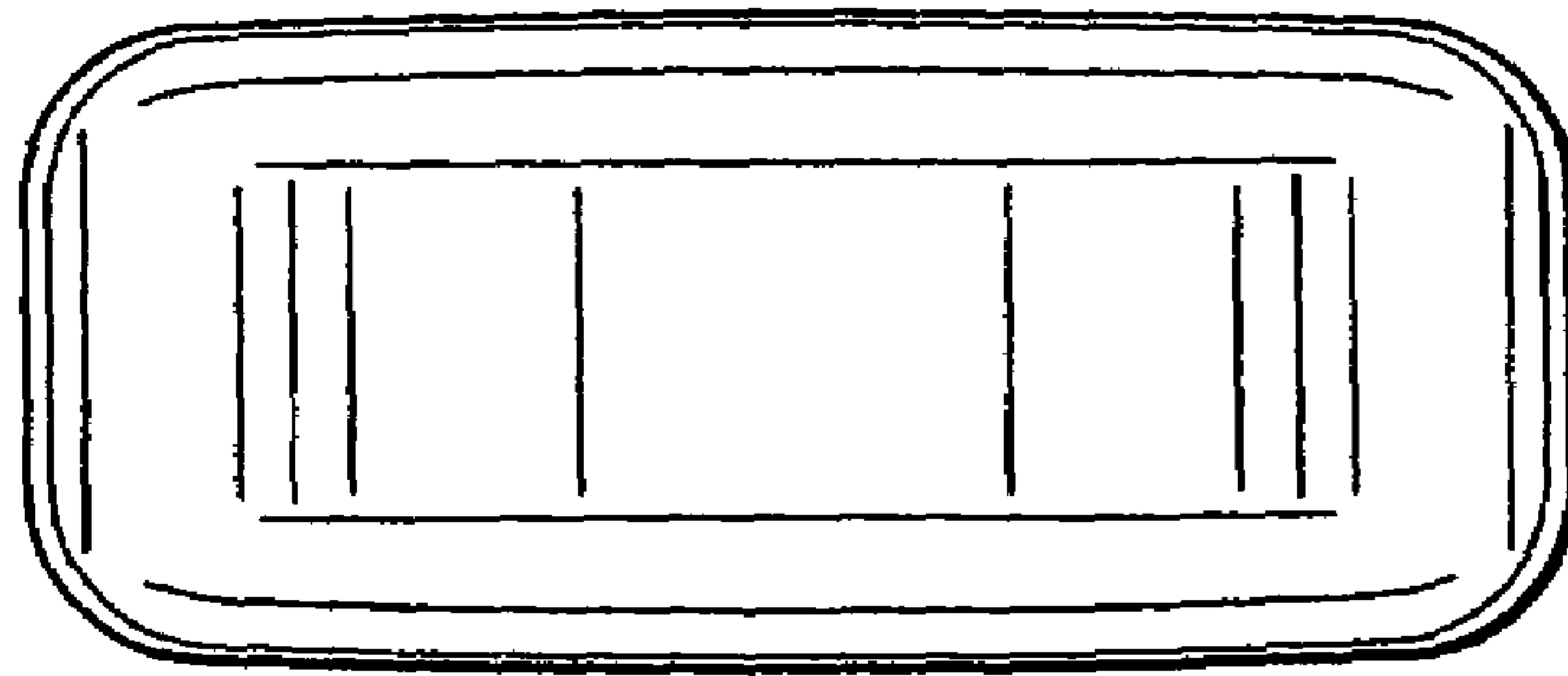


FIG. 5

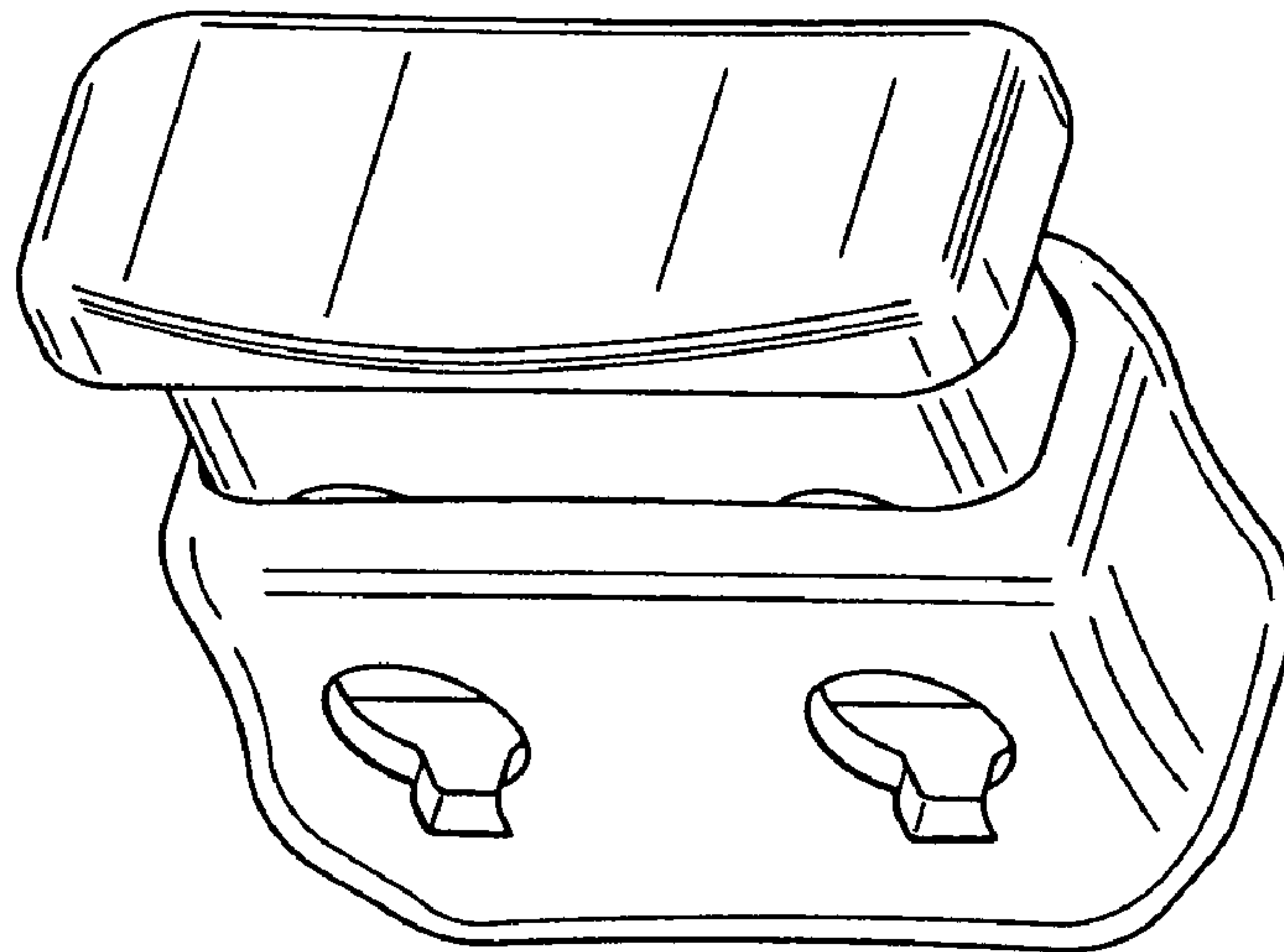


FIG. 6

