



US00D786802S

(12) **United States Design Patent**
Majewski

(10) **Patent No.:** **US D786,802 S**

(45) **Date of Patent:** **** *May 16, 2017**

(54) **CIRCUIT BREAKER**

(71) Applicant: **ABB Stotz-Kontakt GmbH**,
Heidelberg (DE)

(72) Inventor: **Joachim Majewski**, Dossenheim (DE)

(73) Assignee: **ABB Stotz-Kontakt GMBH**,
Heidelberg (DE)

(*) Notice: This patent is subject to a terminal disclaimer.

(**) Term: **14 Years**

(21) Appl. No.: **29/448,591**

(22) Filed: **Mar. 13, 2013**

(30) **Foreign Application Priority Data**

Sep. 28, 2012 (EM) 002110890-0002

(51) **LOC (10) CL.** **13-03**

(52) **U.S. Cl.**
USPC **D13/160**

(58) **Field of Classification Search**

USPC D13/158, 159, 160, 161, 162, 184, 199;
200/43.14, 50.01, 50.21-50.23, 51 R, 293,
200/400, 401; 361/42, 44, 45, 50, 71,
361/115, 608, 634

See application file for complete search history.

(56) **References Cited**

U.S. PATENT DOCUMENTS

D206,006 S *	10/1966	Camp et al.	D13/160
D233,241 S *	10/1974	Mune	D13/160
D281,156 S *	10/1985	Harper	D13/160
D550,630 S *	9/2007	Wang et al.	D13/160
D658,135 S *	4/2012	Weber et al.	D13/160
D658,136 S *	4/2012	Weber et al.	D13/160

* cited by examiner

Primary Examiner — Thomas Johannes
(74) *Attorney, Agent, or Firm* — Taft Stettinius &
Hollister LLP

(57) **CLAIM**

The ornamental design for a circuit breaker, as shown and described.

DESCRIPTION

FIG. 1 is a perspective view of a circuit breaker showing my new design.

FIG. 2 is a front elevational view thereof.

FIG. 3 is a rear elevational view thereof.

FIG. 4 is a left side elevational view thereof.

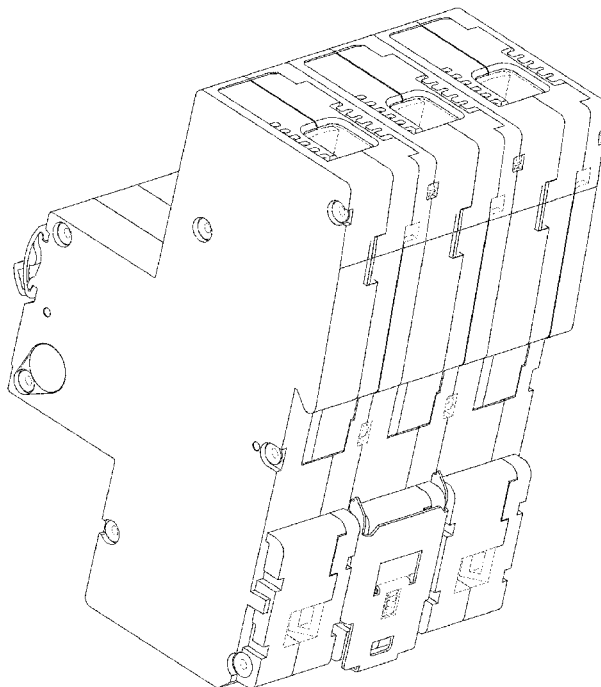
FIG. 5 is a right side elevational view thereof.

FIG. 6 is a bottom plan view thereof; and,

FIG. 7 is a top plan view thereof.

The broken line portion of the drawing figures is included to show unclaimed subject matter only and forms no part of the claimed design.

1 Claim, 7 Drawing Sheets



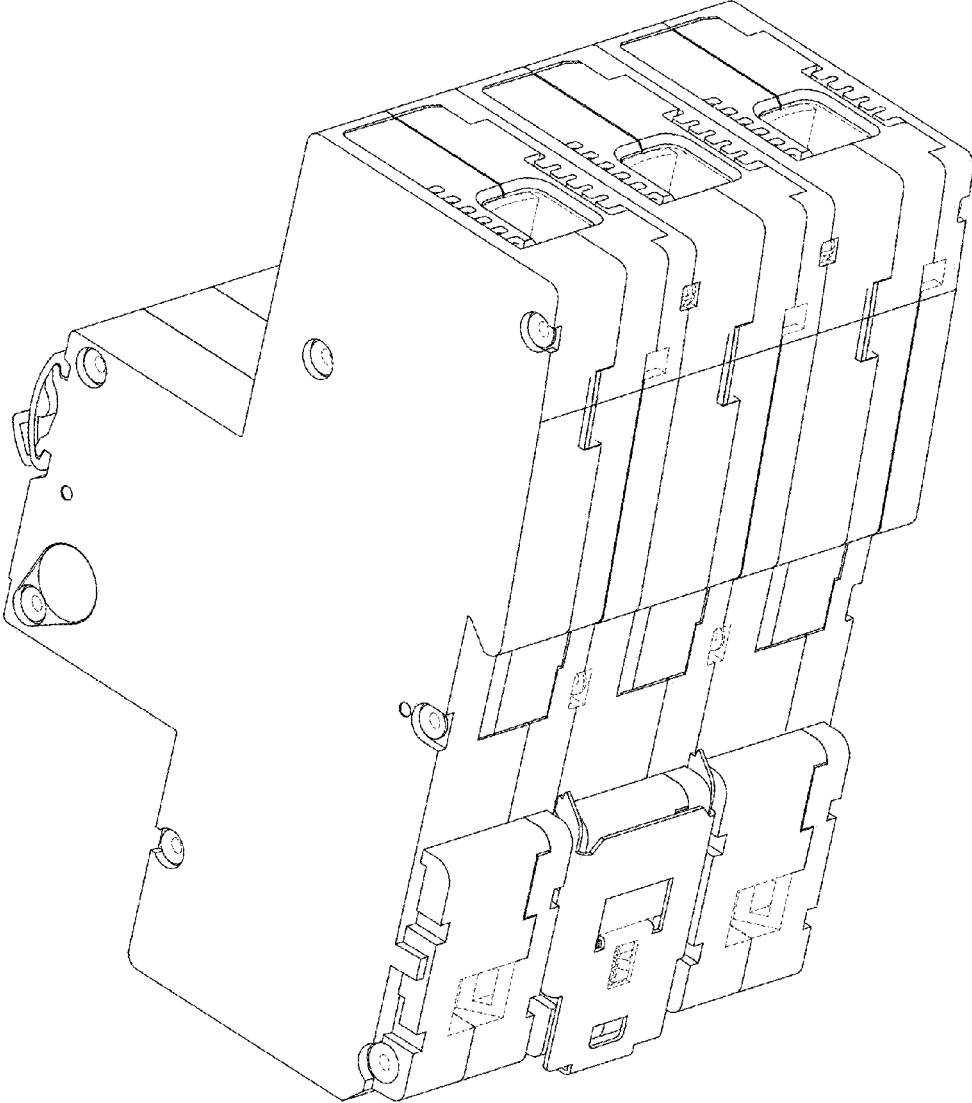


FIG. 1

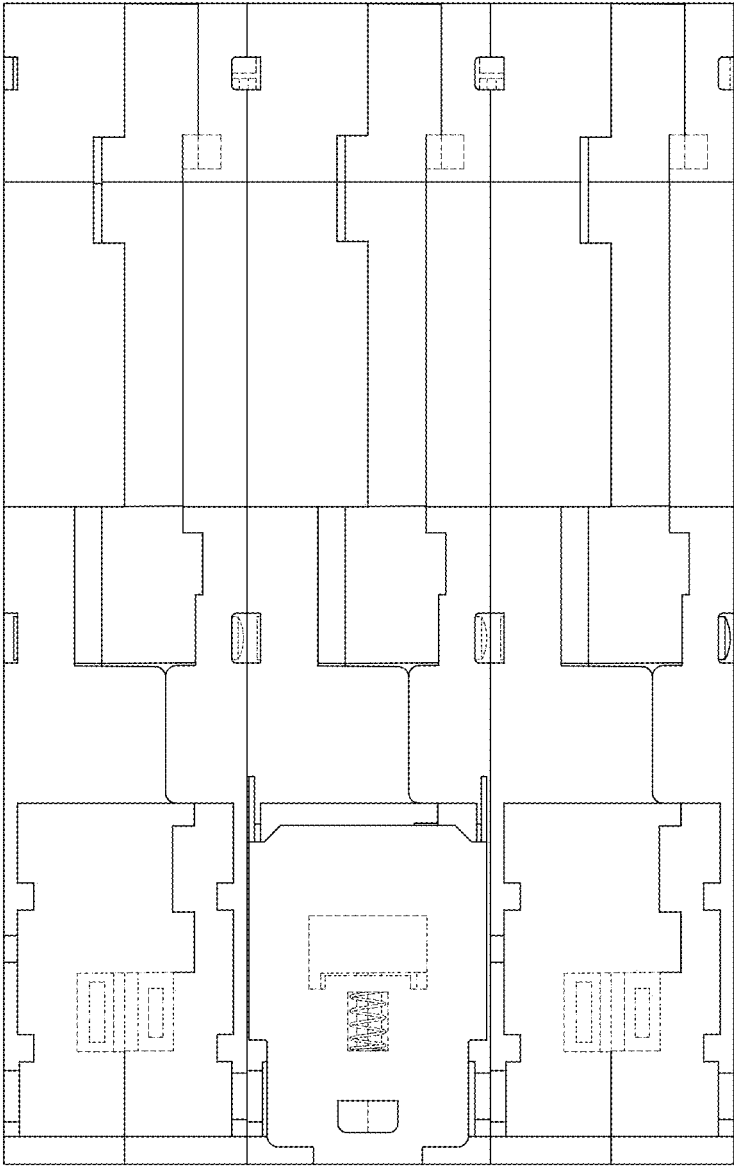


FIG. 2

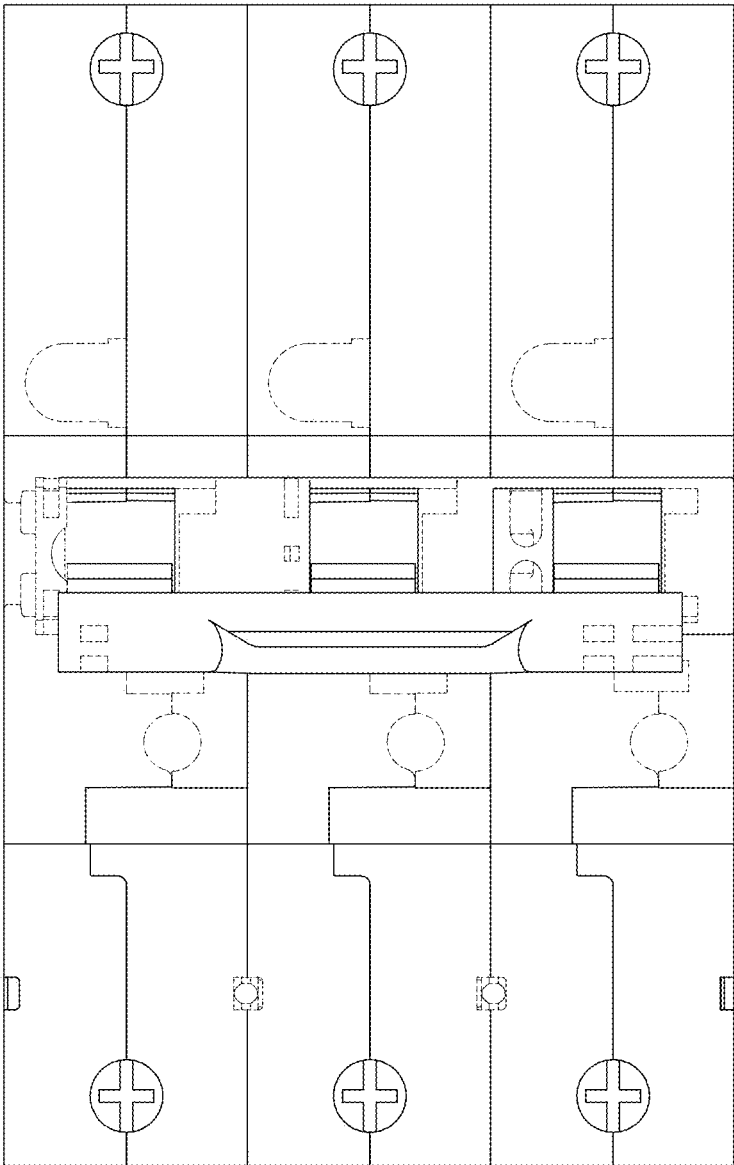


FIG. 3

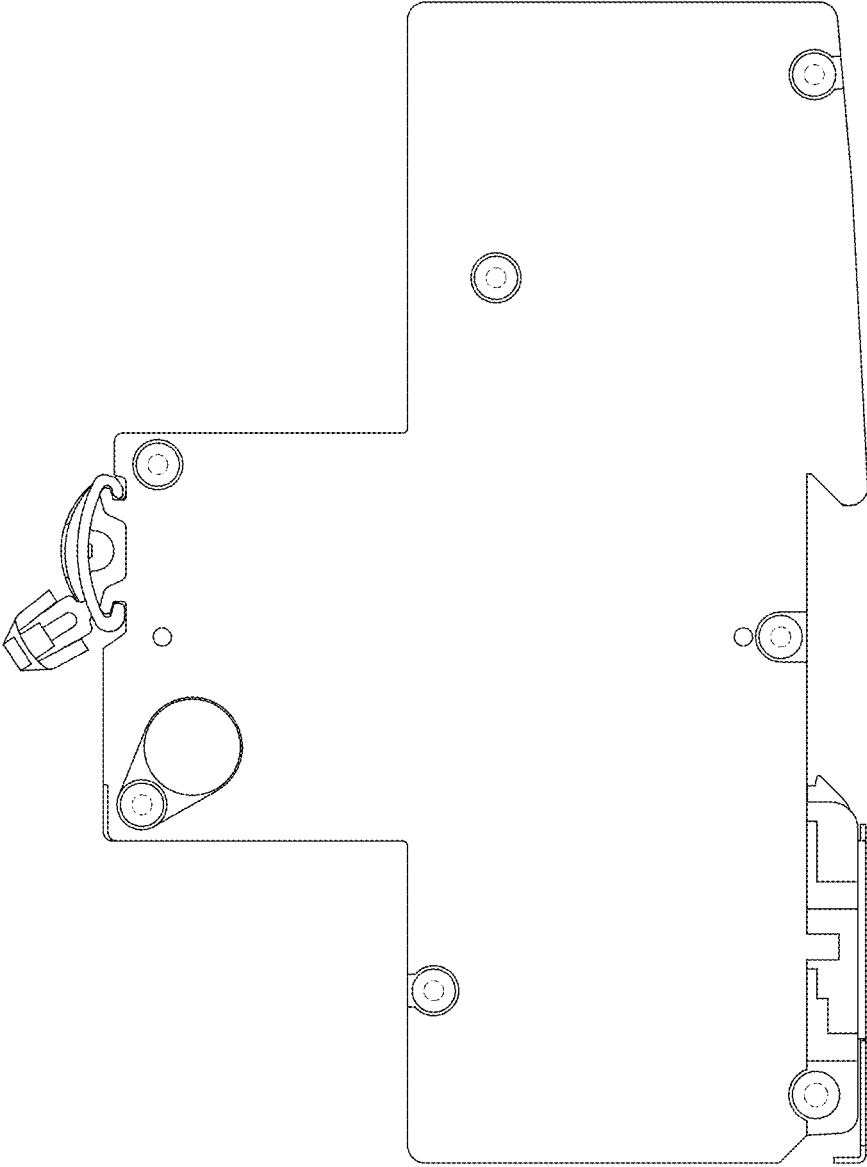


FIG. 4

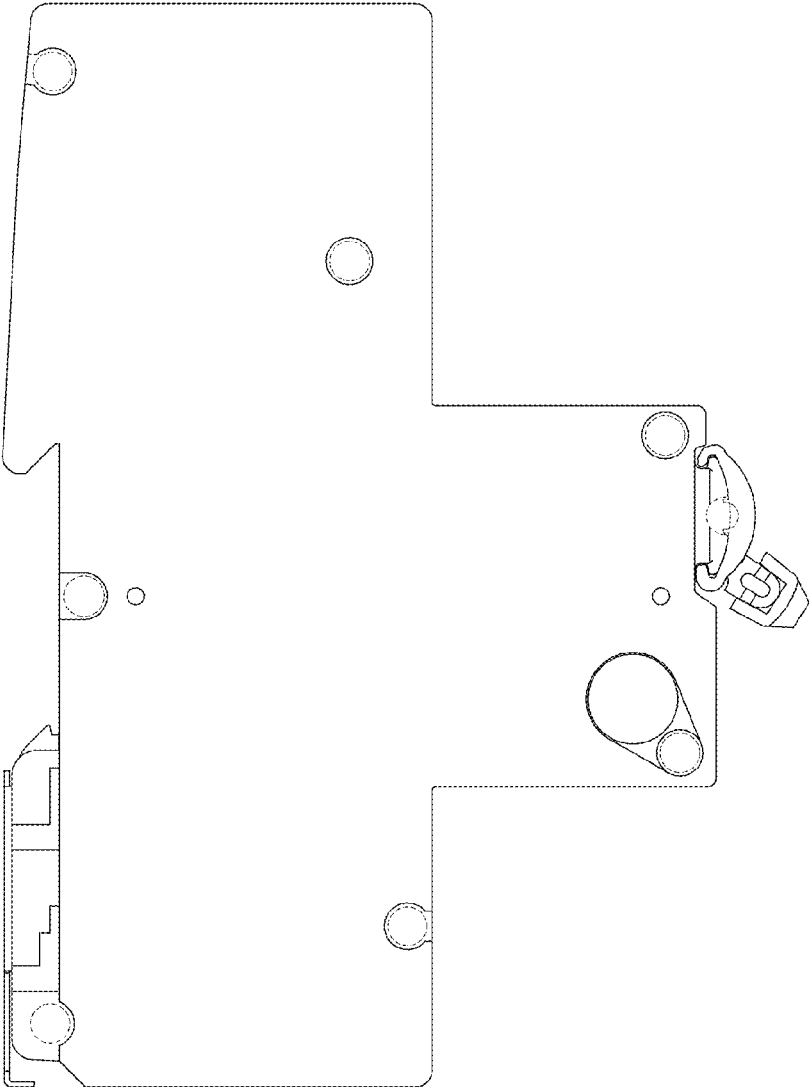


FIG. 5

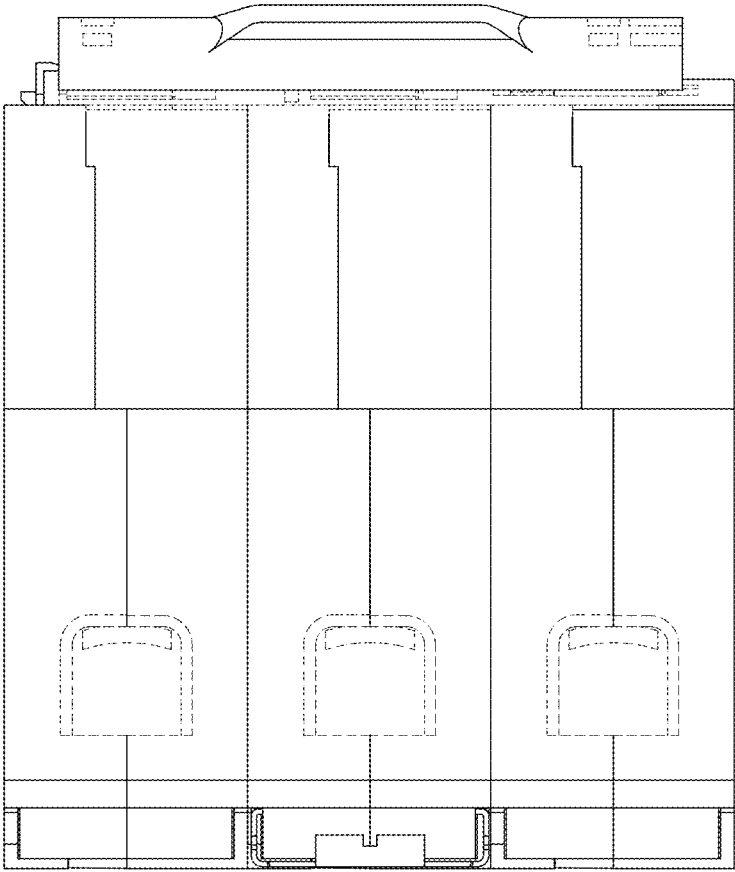


FIG. 6

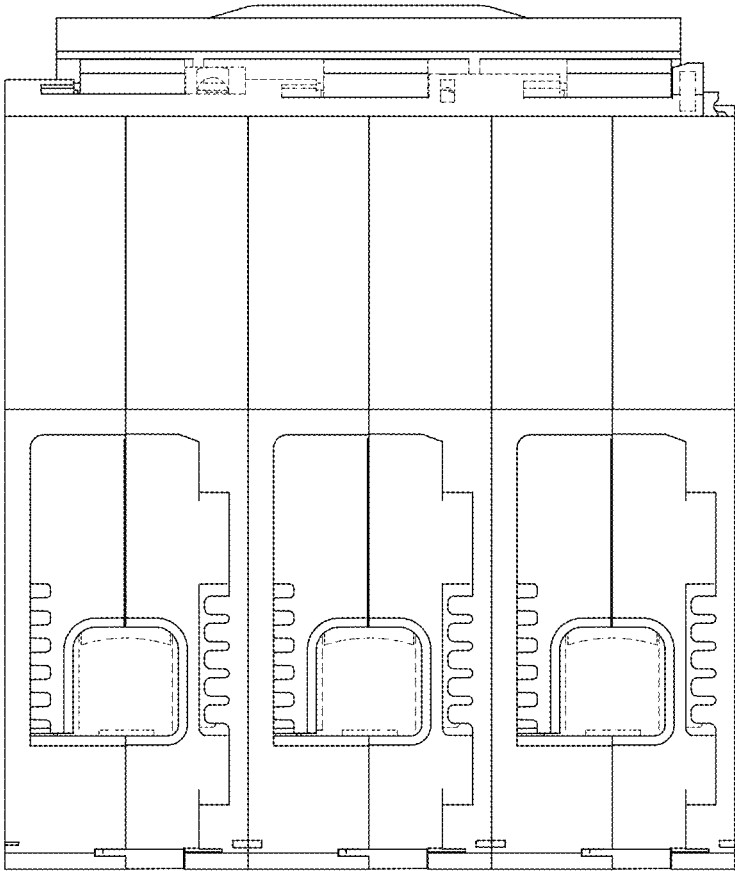


FIG. 7