



US00D744282S

(12) **United States Design Patent**  
**Conselman**

(10) **Patent No.:** **US D744,282 S**

(45) **Date of Patent:** **\*\* Dec. 1, 2015**

(54) **DRINKWARE**

(71) Applicant: **Frank Conselman**, Rockwall, TX (US)

(72) Inventor: **Frank Conselman**, Rockwall, TX (US)

(73) Assignee: **Frank Conselman**, Rockwall, TX (US)

(\*\*) Term: **14 Years**

(21) Appl. No.: **29/496,476**

(22) Filed: **Jul. 14, 2014**

(51) **LOC (10) Cl.** ..... **07-01**

(52) **U.S. Cl.**

USPC ..... **D7/515; D7/514; D7/536; D9/649**

(58) **Field of Classification Search**

USPC ..... **D7/507, 509, 512–521, 529, 530, 531, D7/534, 536, 539, 544, 551.1, 551.2, D7/551.3, 554.1, 560, 564, 565, 566, 567, D7/568, 569, 570, 571, 572, 573, 578, 579, D7/580, 593, 594, 595, 596, 613, 702, 623, D7/624.1, 624.2, 625, 642, 678, 675, 387, D7/388, 389, 396.4, 213, 397, 398, 399, D7/396.5, 405, 411; D9/600, 601, 607, D9/609, 611, 614, 620, 624, 625, 626, 640, D9/649, 520; 220/675, 703, 705, 707, 890; D21/313, 314, 351; D20/30–33, 11, D20/24, 25; D30/110, 112, 129; D11/132, D11/133, 134, 142, 143, 144, 149, 155, 157, D11/173, 176, 184, 140; D24/158; D26/80, D26/95**

CPC ..... **A47G 19/2227; A47G 2019/2277; A45F 3/20; A45F 2003/205**

See application file for complete search history.

(56) **References Cited**

U.S. PATENT DOCUMENTS

D42,648 S *	6/1912	Sanford	.....	D11/154
D253,216 S *	10/1979	Trombly	.....	D7/509
D265,866 S *	8/1982	Levin	.....	D11/149
D313,728 S *	1/1991	Oropeza	.....	D7/556
D371,937 S *	7/1996	Peugeot	.....	D7/535
D399,075 S *	10/1998	Muntener	.....	D6/674
5,899,354 A *	5/1999	Garcia	.....	A47G 19/22 206/217
D417,368 S *	12/1999	O'Neill	.....	D7/606
D488,674 S *	4/2004	O'Neill	.....	D7/515
D504,350 S *	4/2005	Bjorklund	.....	D11/149
D547,805 S *	7/2007	Killinger	.....	D19/77
D578,350 S *	10/2008	Eide	.....	D7/509
D600,072 S *	9/2009	Hayes	.....	D7/509
D621,221 S *	8/2010	Henry	.....	D7/531
D653,508 S *	2/2012	Nguyen	.....	D7/675
D654,318 S *	2/2012	O'Neill	.....	D11/149
D665,236 S *	8/2012	Zemel	.....	D7/675
D730,672 S *	6/2015	Darling	.....	D7/302

\* cited by examiner

*Primary Examiner* — Marianne Pandozzi

*Assistant Examiner* — Jae Liang

(74) *Attorney, Agent, or Firm* — Scott Harper

(57)

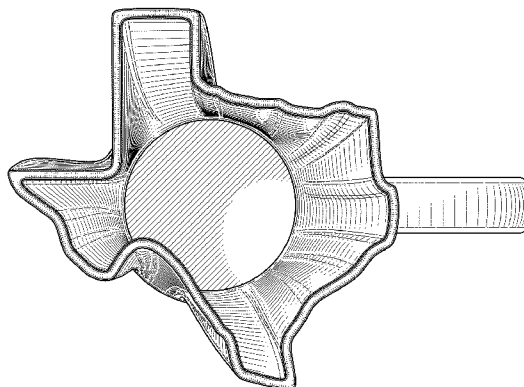
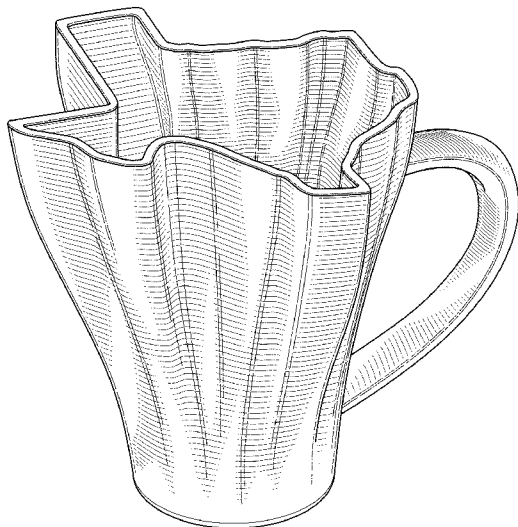
**CLAIM**

The ornamental design for ornamental drinkware, as shown and described.

**DESCRIPTION**

FIG. 1 is a perspective view of an ornamental drinkware showing my new design;  
FIG. 2 is a top view thereof;  
FIG. 3 is a bottom view thereof;  
FIG. 4 is a front view thereof;  
FIG. 5 is a rear view thereof;  
FIG. 6 is a left side view thereof; and,  
FIG. 7 is a right side view thereof.

**1 Claim, 6 Drawing Sheets**



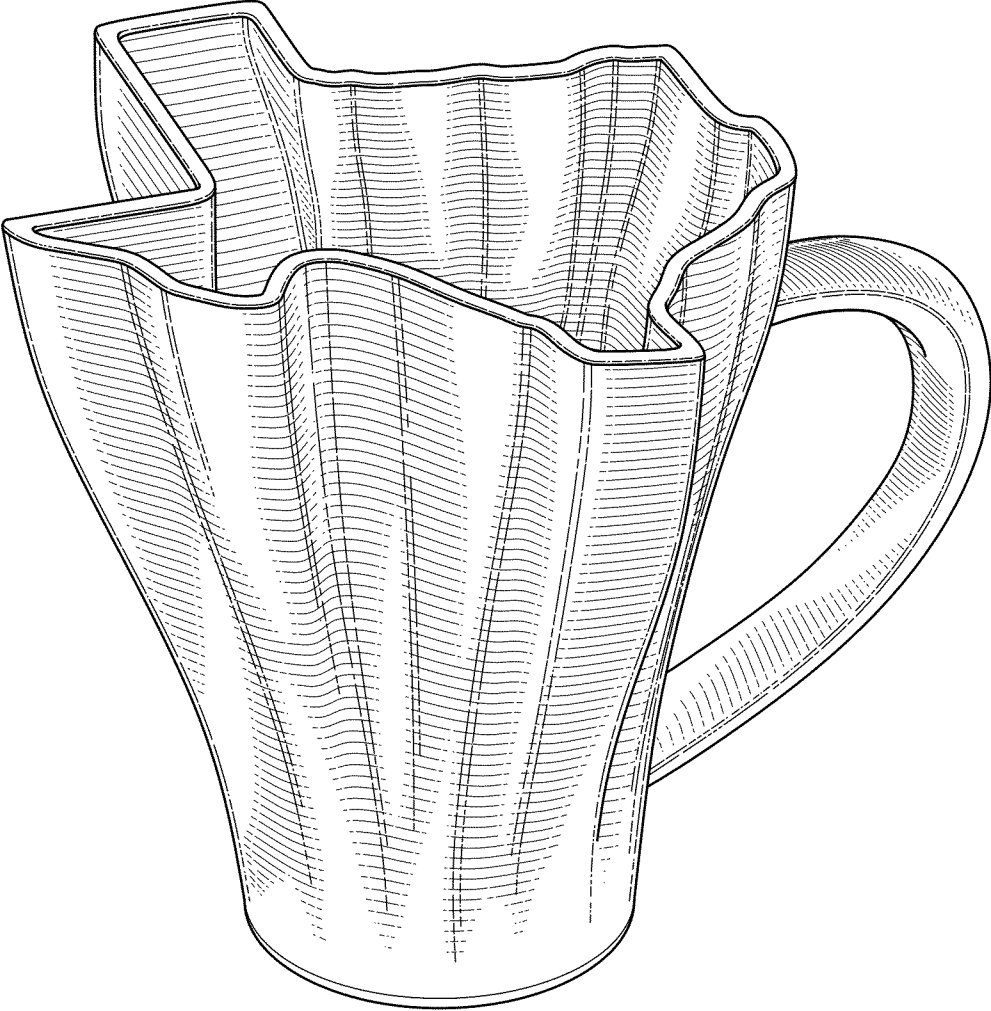


FIG. 1

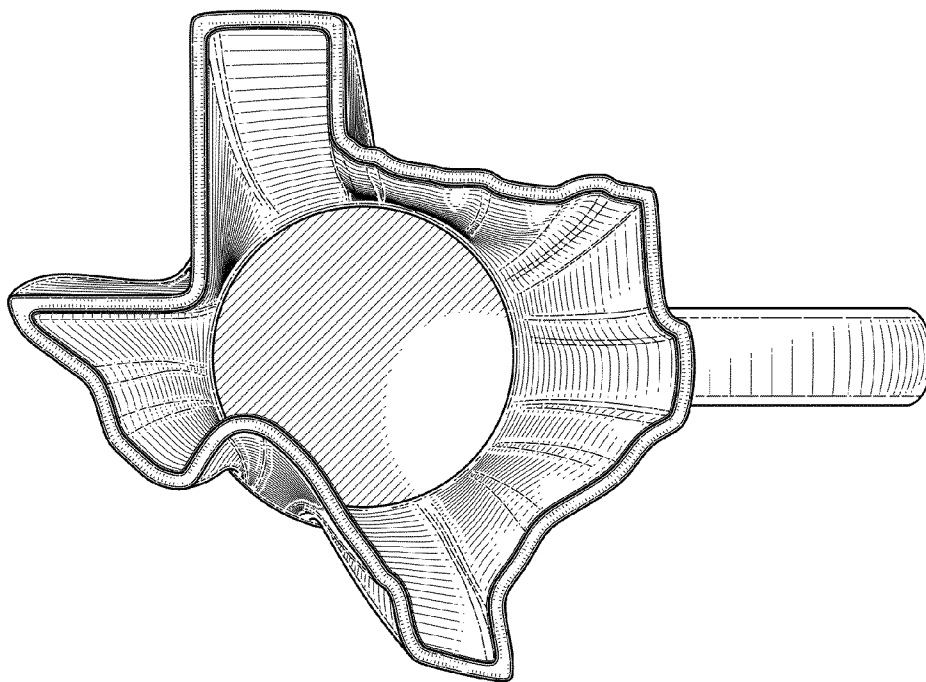


FIG. 2

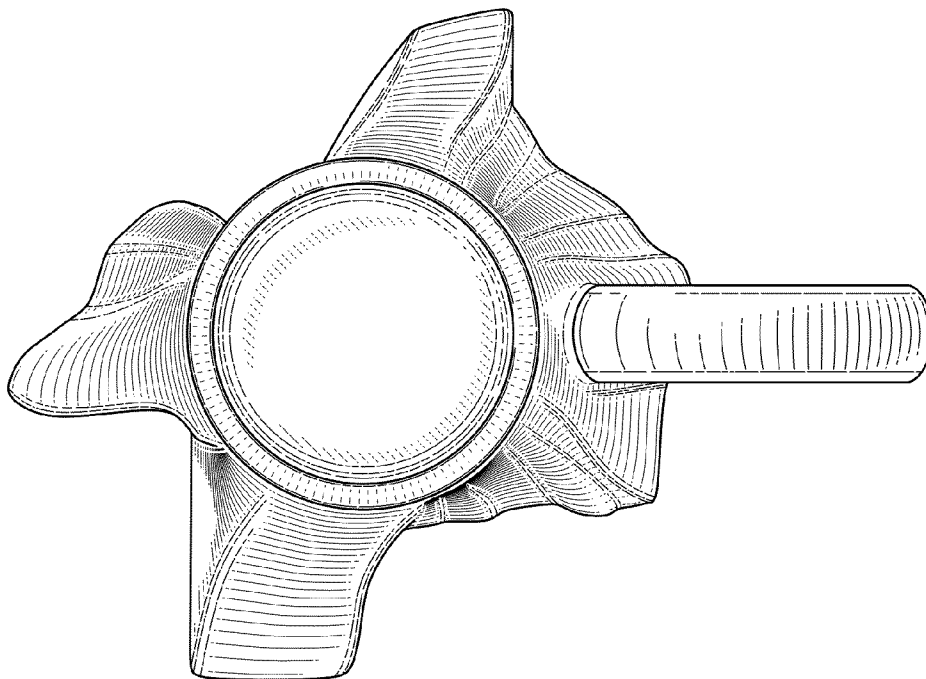


FIG. 3

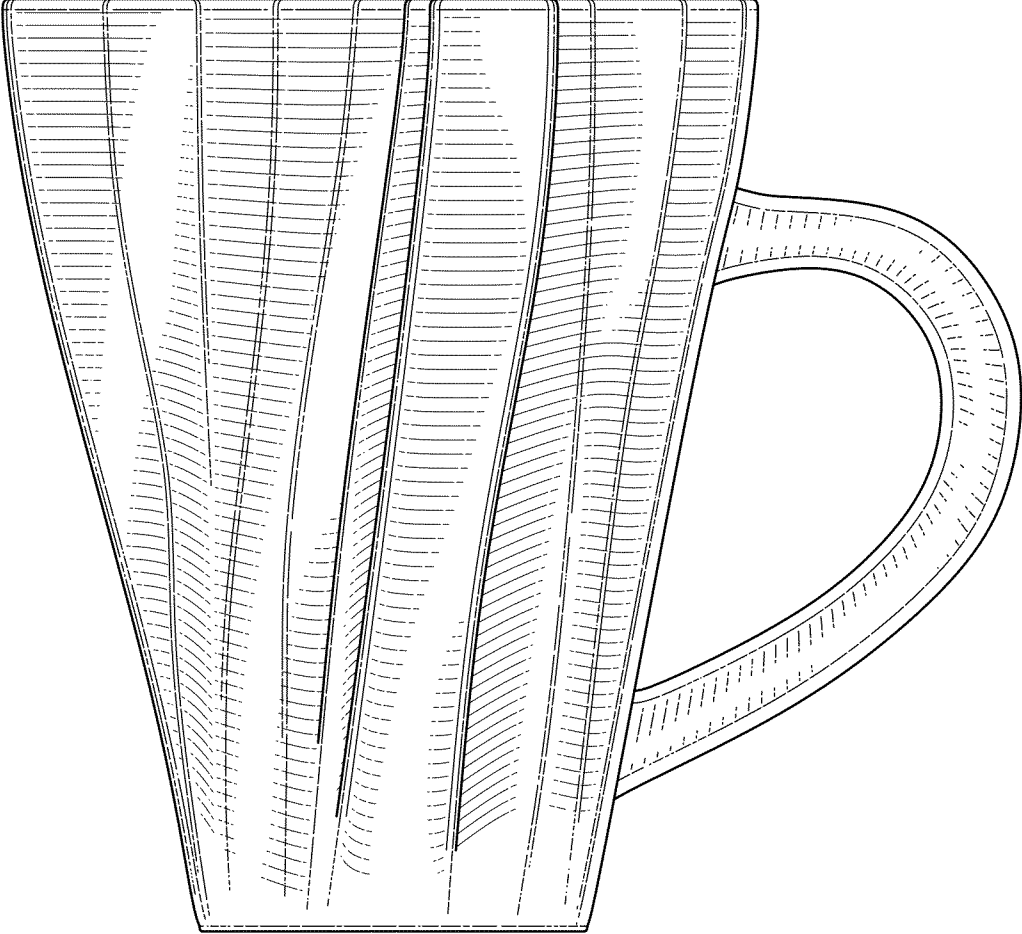


FIG. 4

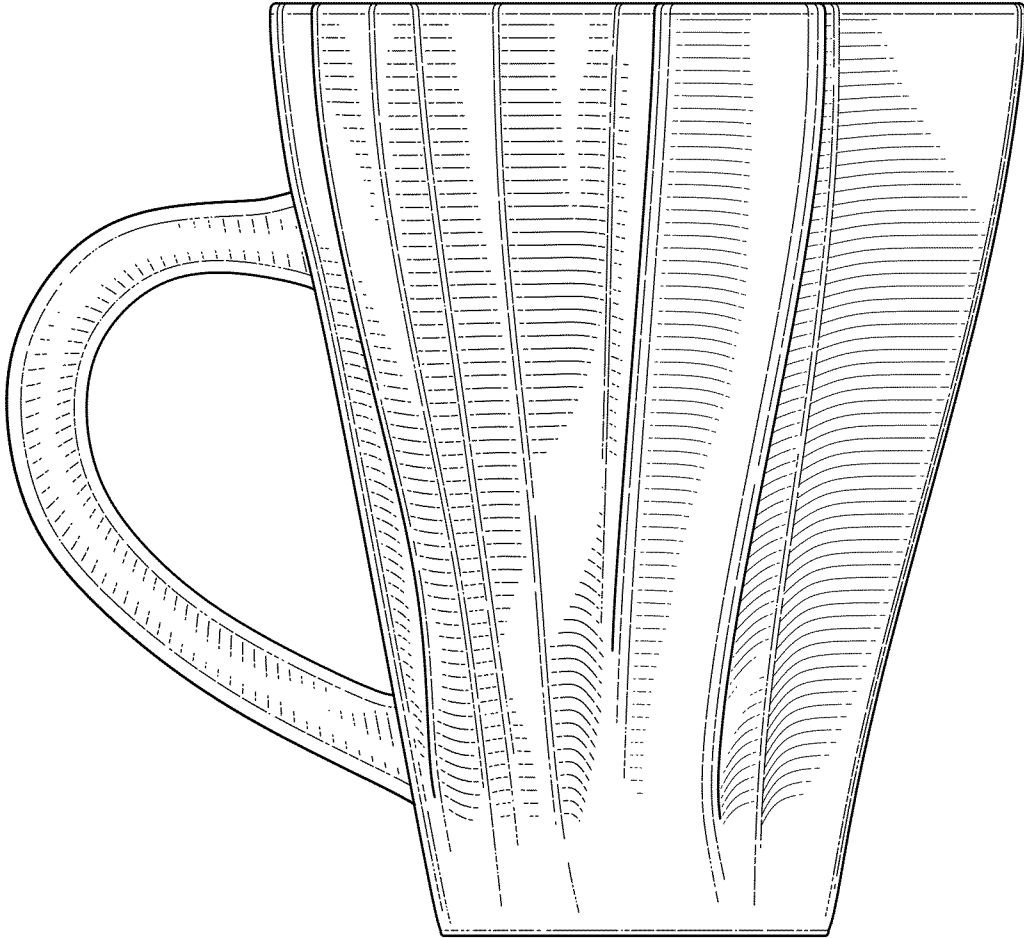


FIG. 5

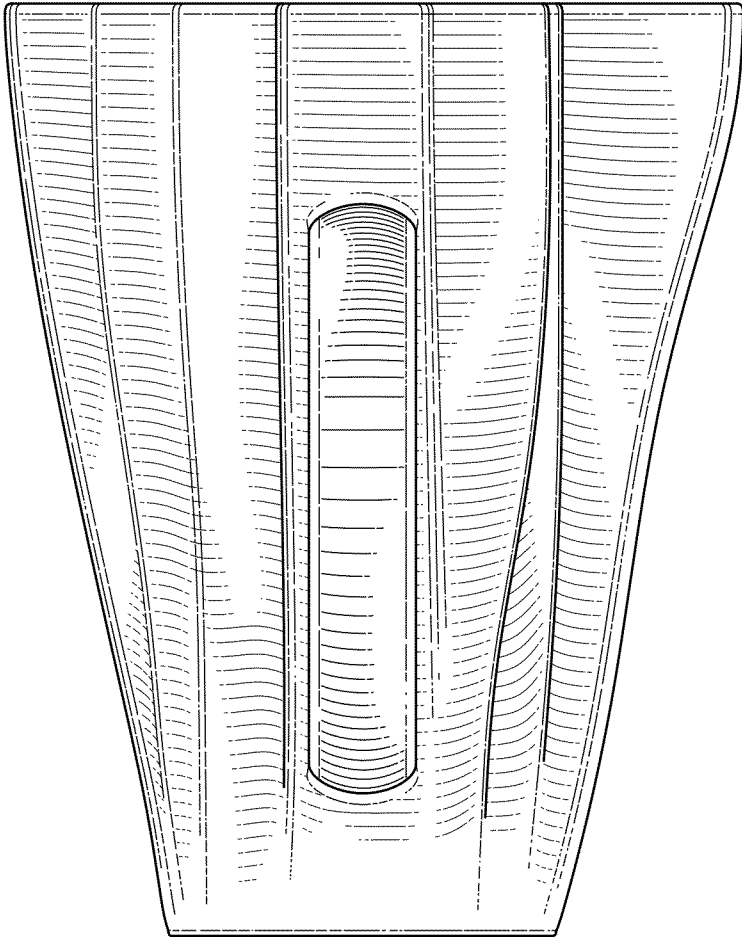


FIG. 6

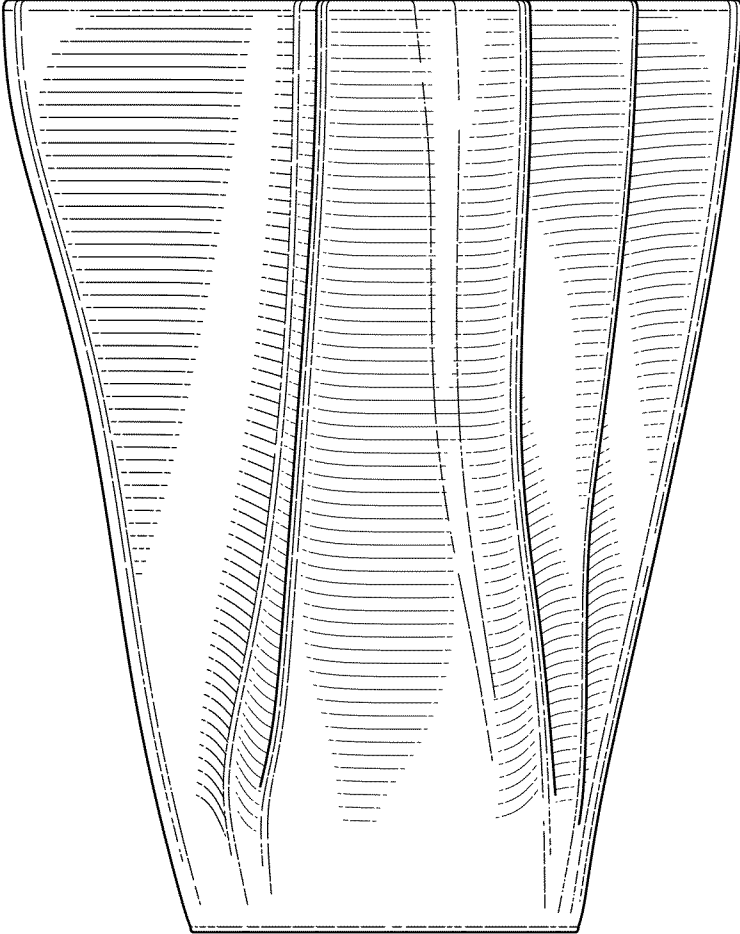


FIG. 7