



US0D1069412S

(12) **United States Design Patent**  
**Wang et al.**

(10) **Patent No.:** **US D1,069,412 S**  
(45) **Date of Patent:** **\*\* Apr. 8, 2025**

(54) **CAMERA CHEST STRAP**

D502,803 S \* 3/2005 Racov ..... D3/327  
D509,627 S \* 9/2005 Willows ..... D29/101.2  
D569,306 S \* 5/2008 Taylor ..... D11/200

(71) Applicant: **SHENZHEN NEEWER TECHNOLOGY CO. LTD**, Shenzhen (CN)

(Continued)

**FOREIGN PATENT DOCUMENTS**

(72) Inventors: **Jun Wang**, Shenzhen (CN); **Yan Ke**, Shenzhen (CN)

CN 308084621 \* 6/2023

**OTHER PUBLICATIONS**

(\*\*) Term: **15 Years**

“Newer Chest Mount Harness for Action Camera & Phone, Adjustable Hand Free Chest Strap Compatible with GoPro Hero DJI Osmo iPhone Android, Magnetic Phone Chest Mount for POV Video Vlog, GP18”, first available Apr. 26, 2024, Amazon.com, site visited Sep. 18, 2024: [https://www.amazon.com/Harness-Adjustable-Compatible-Android-Magnetic/dp/B0D2RMJVDM/ref=cm\\_cr\\_ar\\_p\\_d\\_product\\_top?ie=UTF8&th=1](https://www.amazon.com/Harness-Adjustable-Compatible-Android-Magnetic/dp/B0D2RMJVDM/ref=cm_cr_ar_p_d_product_top?ie=UTF8&th=1) (Year: 2024).\*

(21) Appl. No.: **29/941,640**

(22) Filed: **May 10, 2024**

(51) **LOC (15) Cl.** ..... **16-05**

(52) **U.S. Cl.**  
USPC ..... **D16/243; D3/327**

(58) **Field of Classification Search**  
USPC ..... D3/232–233, 247, 250, 284, 295, 304, D3/318–319, 321–325, 327–328; D11/78.1, 200, 203–204, 206, 215; D16/242–243  
CPC ..... A45F 3/14; A45F 5/00; A45F 3/04; A45F 2200/0533; A45F 2003/142; Y10S 224/908; A45C 13/30  
See application file for complete search history.

*Primary Examiner* — Jennifer L Watkins  
*Assistant Examiner* — Samantha Lynne Brodowski

(57) **CLAIM**

The ornamental design for a camera chest strap as shown and described.

**DESCRIPTION**

FIG. 1 is a front, left and top perspective view of a camera chest strap showing our new design; FIG. 2 is a rear, right and bottom perspective view thereof; FIG. 3 is a front view thereof; FIG. 4 is a rear view thereof; FIG. 5 is a right view thereof; FIG. 6 is a left view thereof; FIG. 7 is a top view thereof; FIG. 8 is a bottom view thereof; and, FIG. 9 is an enlarged view of a portion labeled as 9 on FIG. 1.

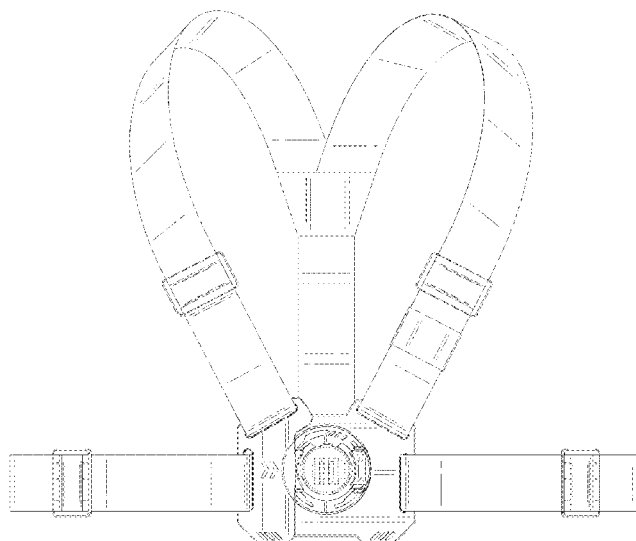
The long dash-short dash broken lines depict enlargement boundaries that form no part of the claim. The evenly broken lines illustrate portions of the article that form no part of the claimed design.

(56) **References Cited**

**U.S. PATENT DOCUMENTS**

3,152,738 A \* 10/1964 Worsfold, Jr. .... A45F 5/00 224/259  
4,125,211 A \* 11/1978 Handsman ..... A45F 5/00 224/259  
D299,792 S \* 2/1989 Winter ..... D29/101.1  
D364,270 S \* 11/1995 Kellerman ..... D3/218  
D420,514 S \* 2/2000 Morlet ..... D3/327  
D426,065 S \* 6/2000 Deveaux ..... D3/327  
D438,705 S \* 3/2001 Steurer ..... D3/327  
6,305,535 B1 \* 10/2001 Fair ..... A63B 55/408 206/315.3  
D499,553 S \* 12/2004 Millard ..... D3/327

**1 Claim, 9 Drawing Sheets**



(56)

**References Cited**

U.S. PATENT DOCUMENTS

D663,955 S \* 7/2012 Swaggart ..... D3/327  
D683,384 S \* 5/2013 Swaggart ..... D16/243  
D757,844 S \* 5/2016 Swaggart ..... D16/237  
D768,757 S \* 10/2016 Thomas ..... D16/243  
D774,769 S \* 12/2016 Guthrie ..... D3/318  
D794,110 S 8/2017 Swaggart  
D804,183 S \* 12/2017 Grote ..... D3/318  
D806,779 S 1/2018 Martin et al.  
D810,443 S \* 2/2018 Burgess ..... D3/327  
D816,759 S \* 5/2018 Swaggart ..... D16/243  
D851,162 S \* 6/2019 Bergman ..... D16/242  
D877,516 S \* 3/2020 Juras ..... D3/327  
D945,737 S 3/2022 Harding et al.  
D950,075 S 4/2022 Thomas et al.  
D996,810 S \* 8/2023 Zhang ..... D3/228  
D998,689 S \* 9/2023 Zhang ..... D17/13  
2016/0363838 A1 \* 12/2016 Nguyen ..... G03B 17/563

\* cited by examiner

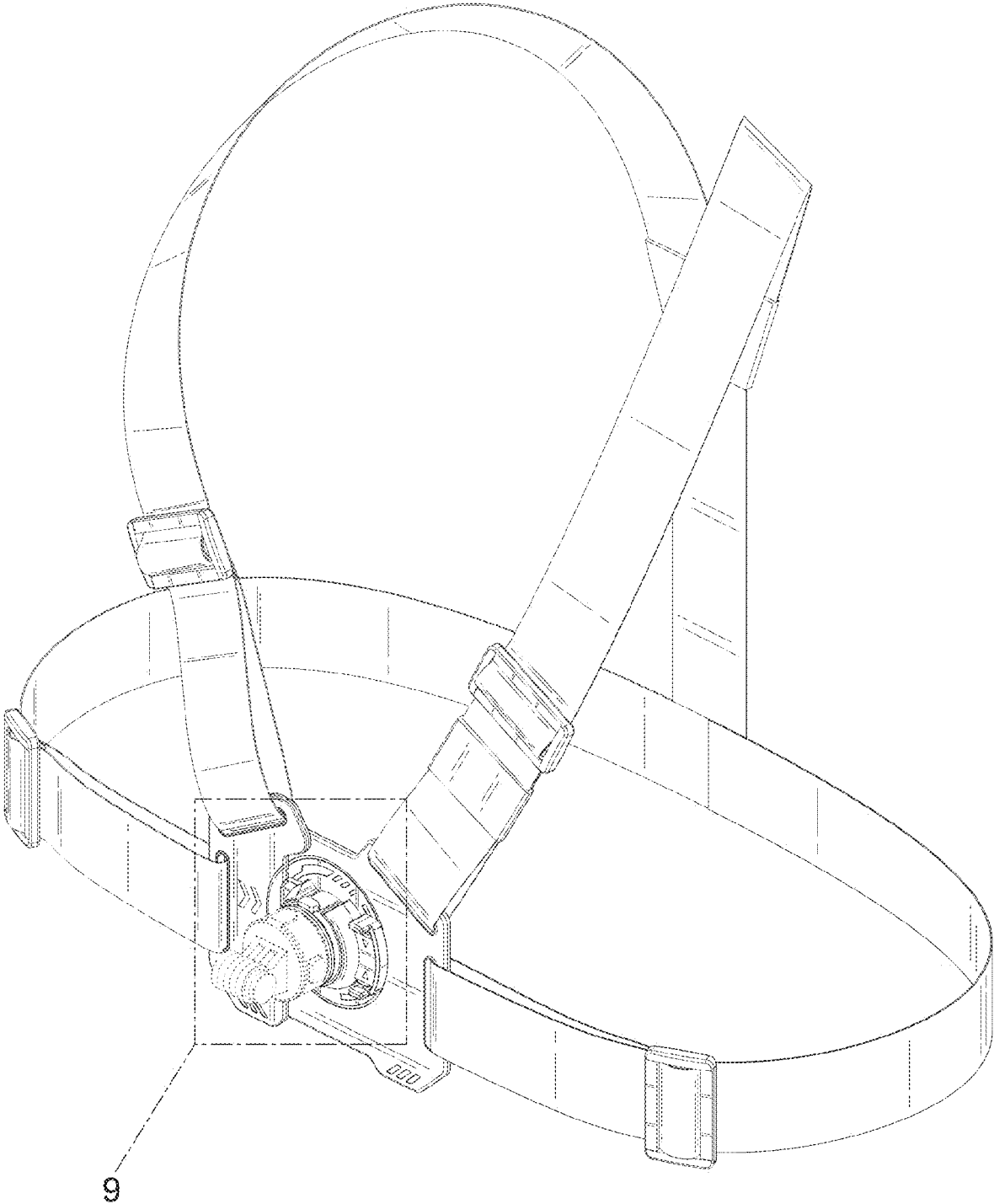


FIG. 1

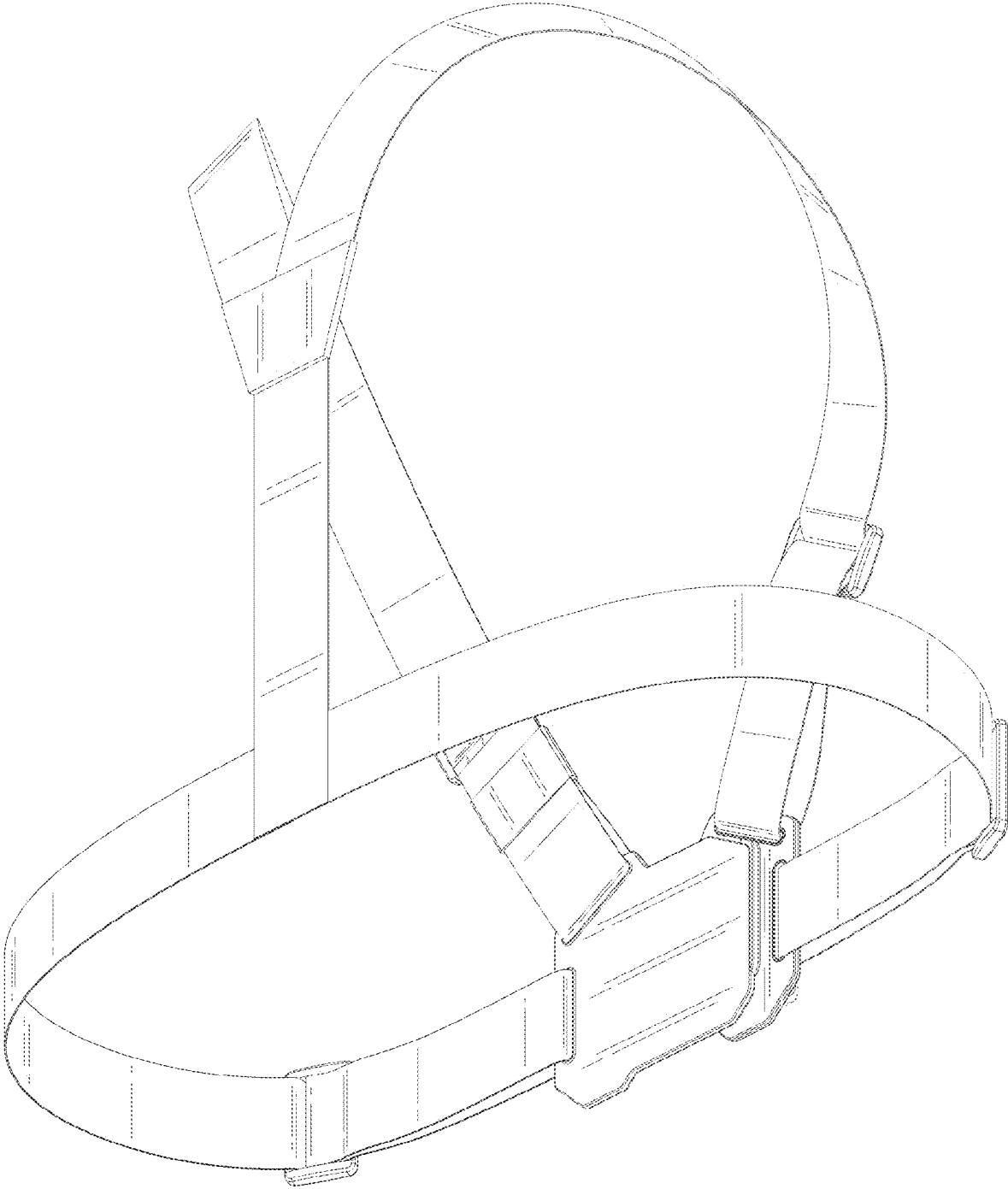


FIG. 2

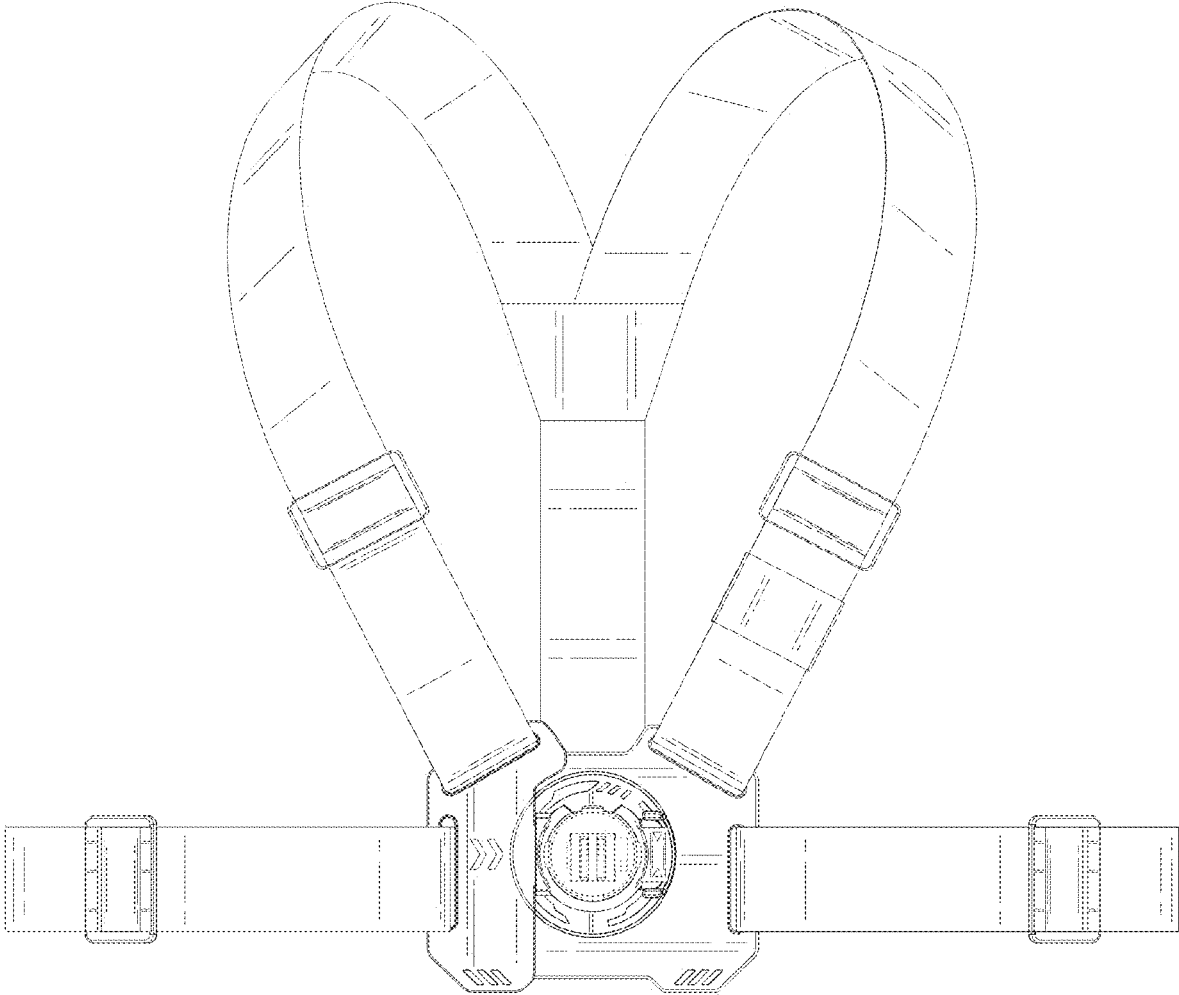


FIG. 3

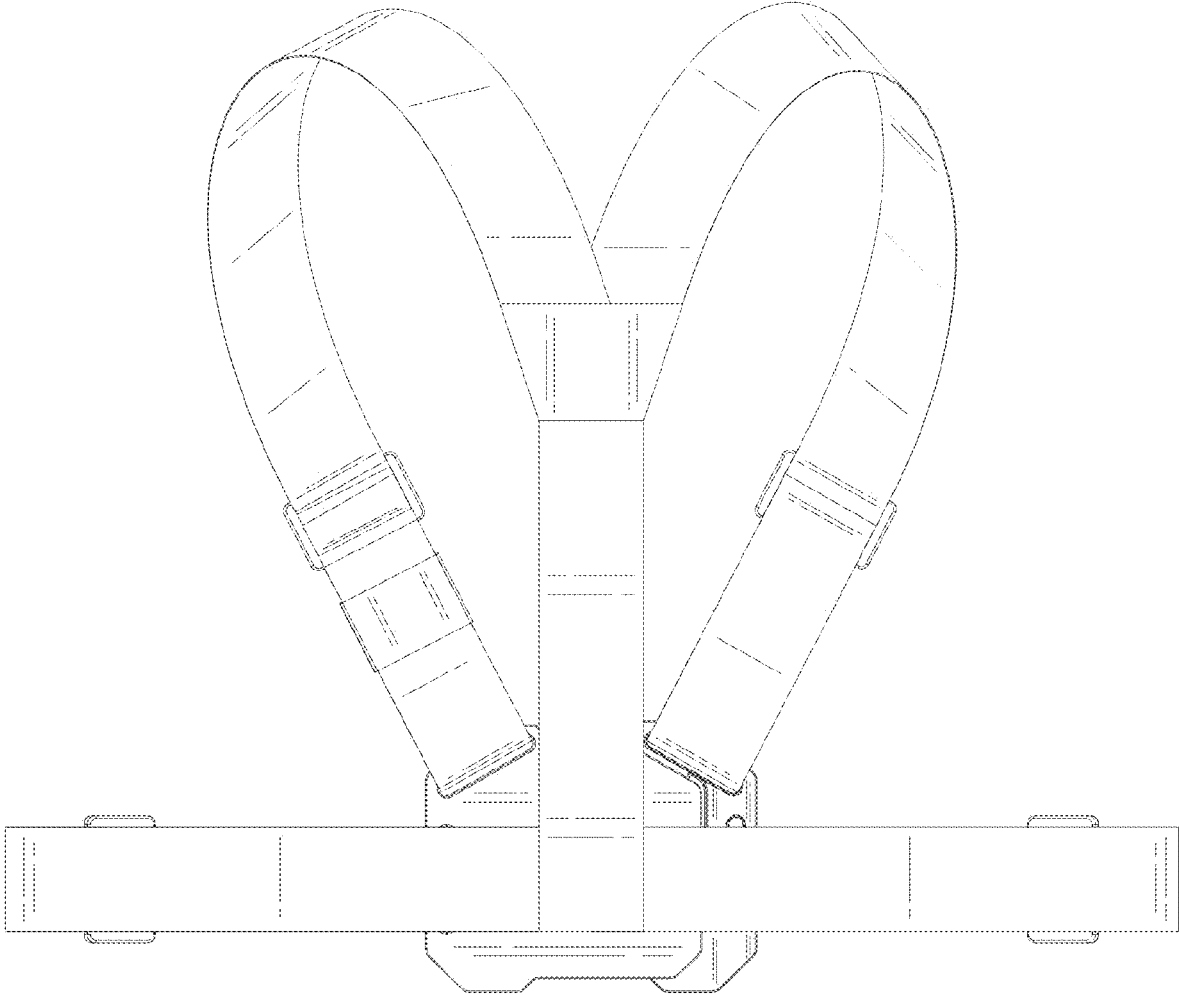


FIG. 4

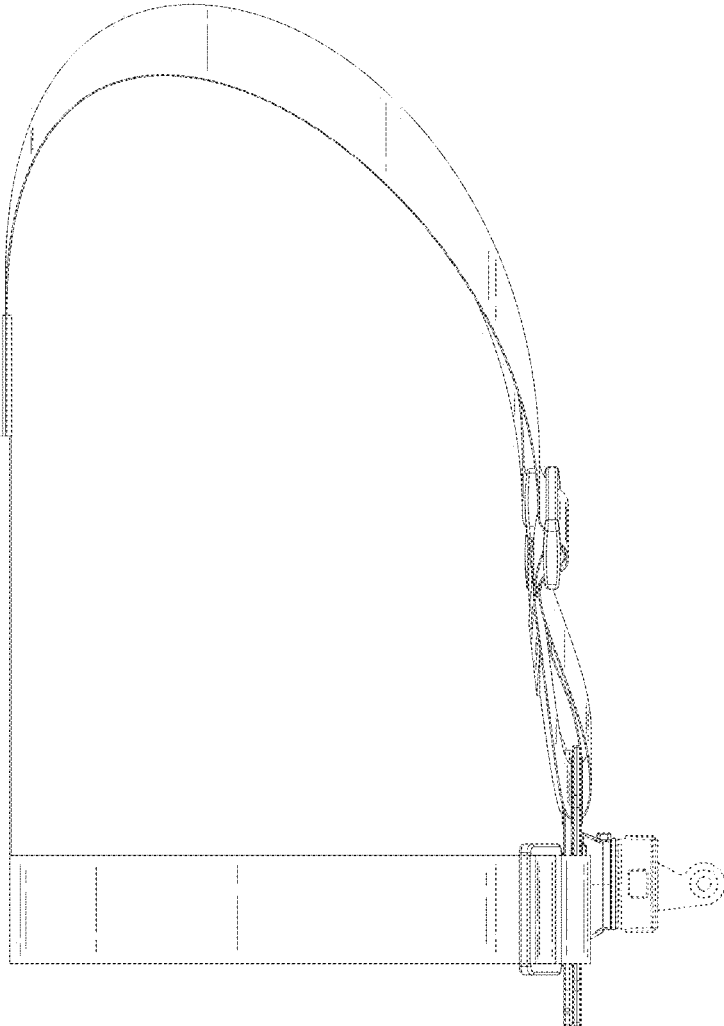


FIG. 5

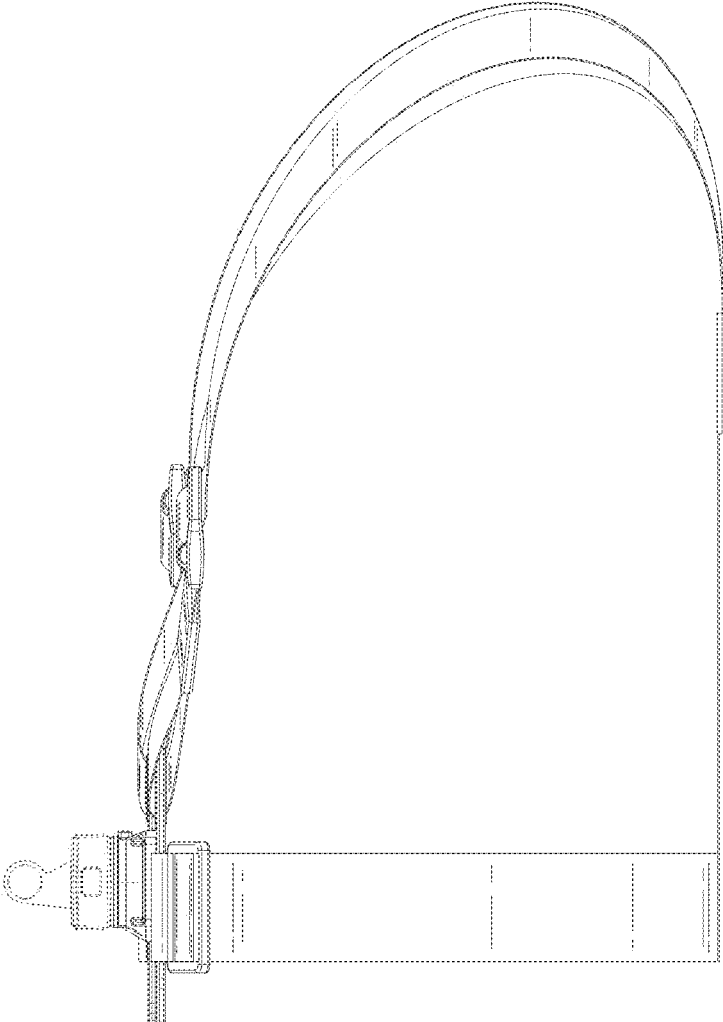


FIG. 6

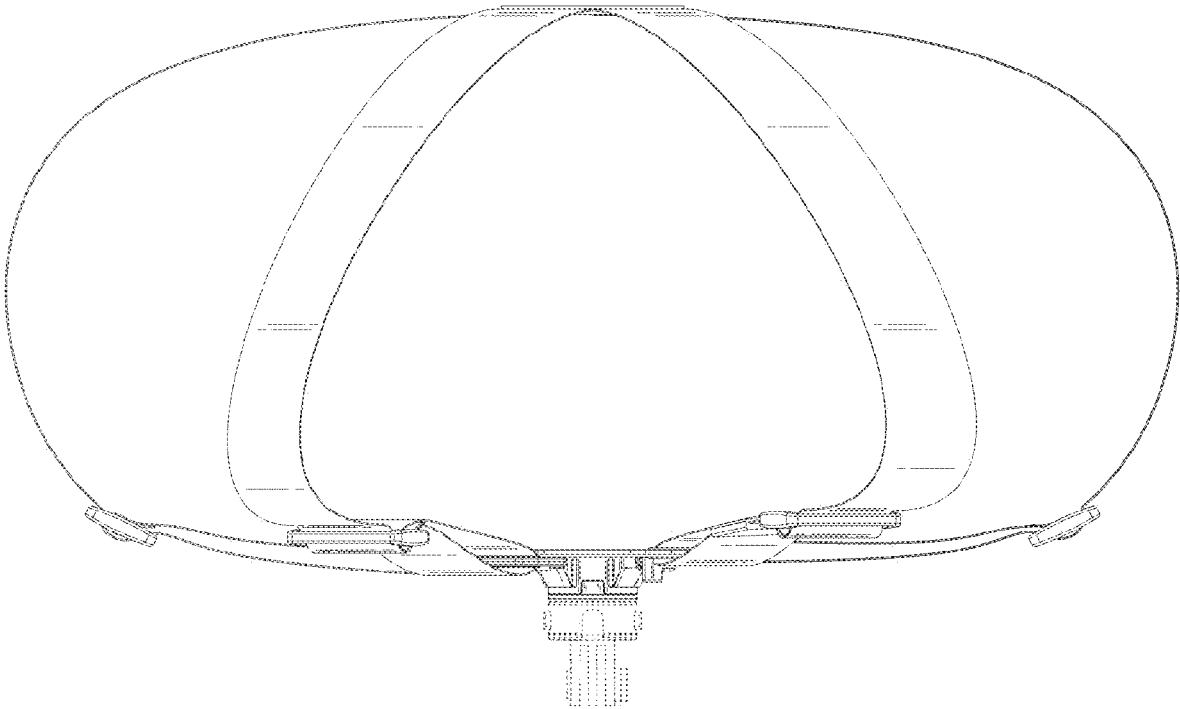


FIG. 7

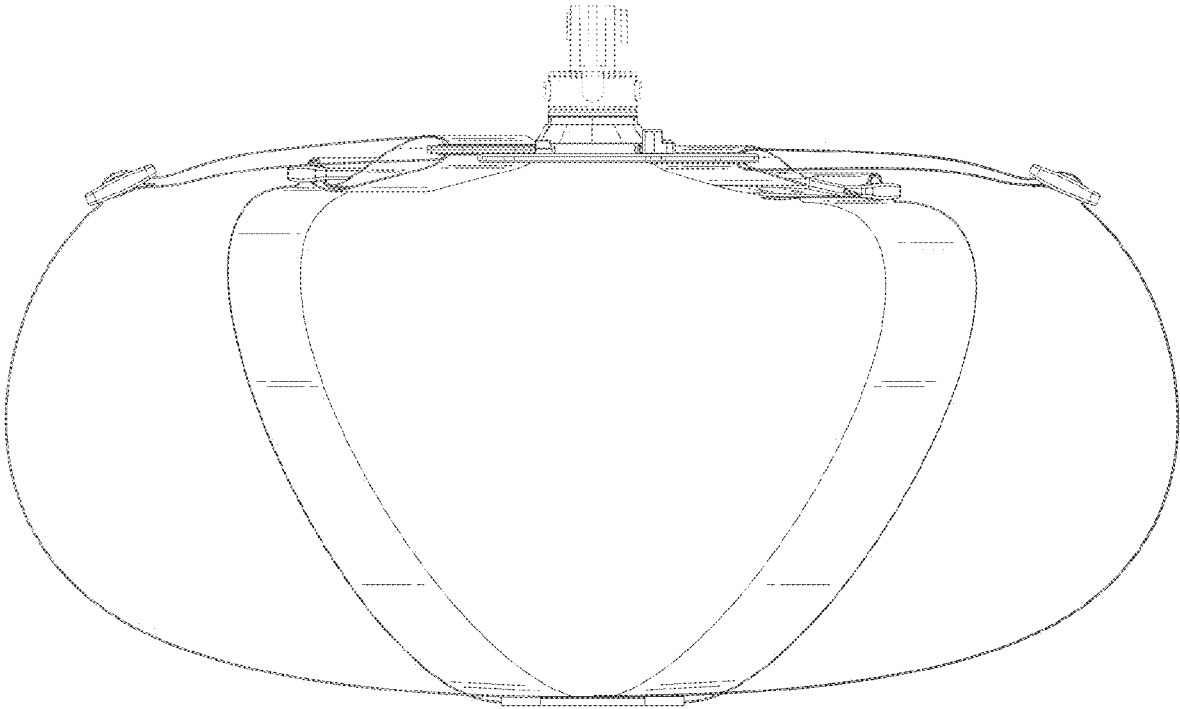


FIG. 8

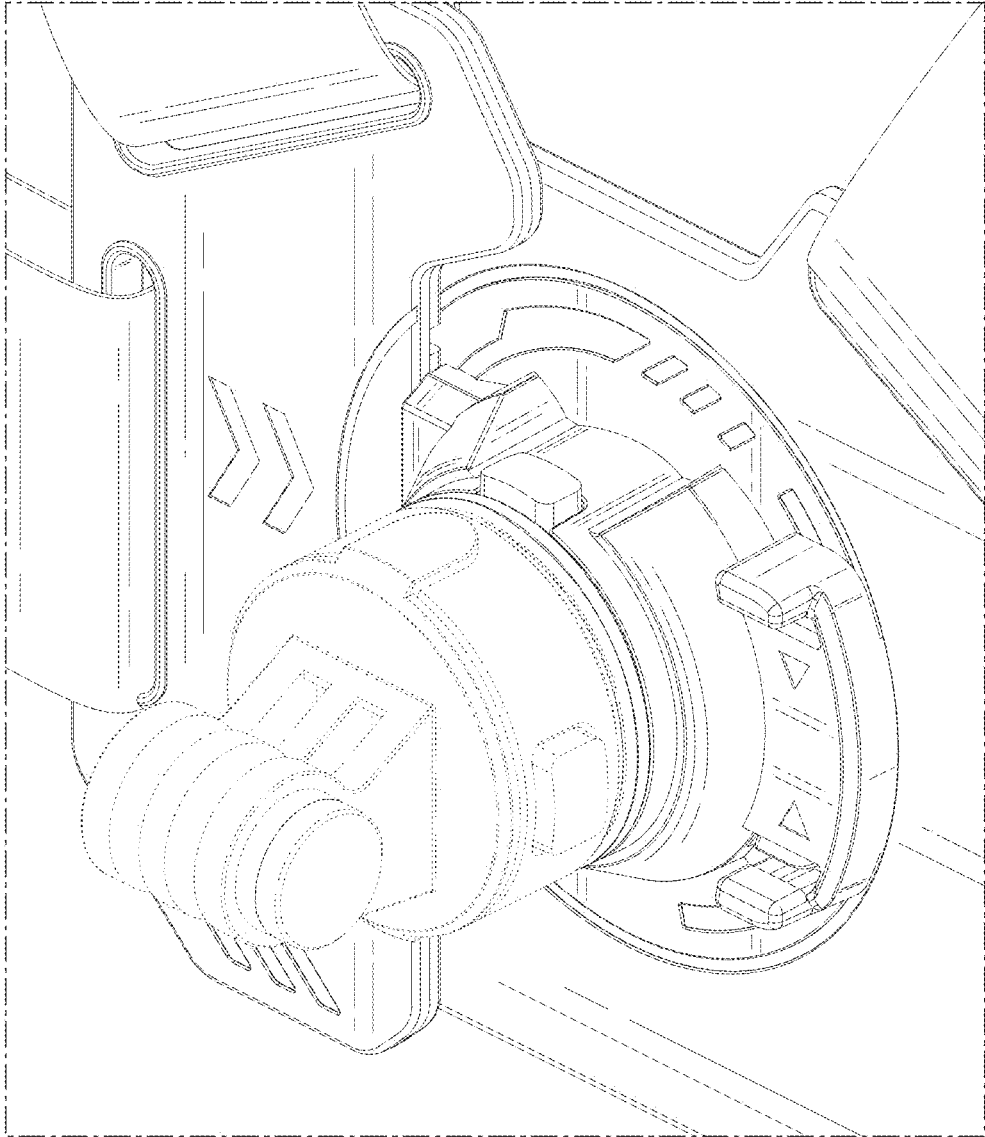


FIG. 9