



US00D719638S

(12) **United States Design Patent**
Pagliai

(10) **Patent No.:** **US D719,638 S**

(45) **Date of Patent:** **** Dec. 16, 2014**

(54) **BACKPACK SPRAYER**

(76) Inventor: **Ferro Pagliai**, Santa Monica, CA (US)

(**) Term: **14 Years**

(21) Appl. No.: **29/413,829**

(22) Filed: **Feb. 21, 2012**

(51) **LOC (10) Cl.** **23-01**

(52) **U.S. Cl.**
USPC **D23/225**

(58) **Field of Classification Search**
CPC A62C 15/00; B05B 9/08; B05B 9/04
USPC D23/202, 213, 225; 222/383.1, 372,
222/465.1, 137; 239/152-154, 332-3
See application file for complete search history.

(56) **References Cited**

U.S. PATENT DOCUMENTS

D616,959 S * 6/2010 Wu D23/202
7,854,396 B2 * 12/2010 Wu 239/152
D633,984 S * 3/2011 Plantz D23/225

D672,848 S * 12/2012 Wirz Luchsinger D23/225
D685,057 S * 6/2013 Wirz Luchsinger D23/225
8,616,466 B2 * 12/2013 Strauss et al. 239/154

* cited by examiner

Primary Examiner — Robin V Webster

(74) *Attorney, Agent, or Firm* — Dickstein Shapiro LLP

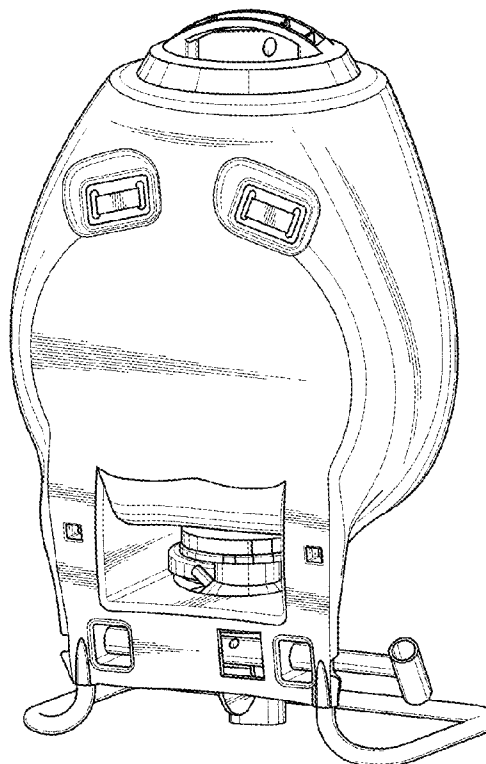
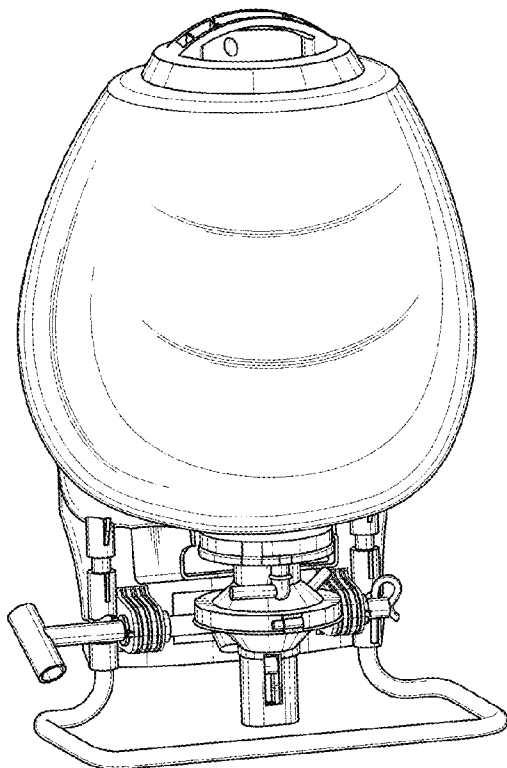
(57) **CLAIM**

The ornamental design for a backpack sprayer, as shown and described.

DESCRIPTION

FIG. 1 is a back perspective view of a backpack sprayer showing my new design;
FIG. 2 is a back view of the backpack sprayer of FIG. 1;
FIG. 3 is a top view of the backpack sprayer of FIG. 1;
FIG. 4 is a front view of the backpack sprayer of FIG. 1;
FIG. 5 is a right side view of the backpack sprayer of FIG. 1;
FIG. 6 is a bottom view of the backpack sprayer of FIG. 1;
FIG. 7 is a left side view of the backpack sprayer of FIG. 1;
and,
FIG. 8 is a front perspective view of the backpack sprayer of FIG. 1.

1 Claim, 4 Drawing Sheets



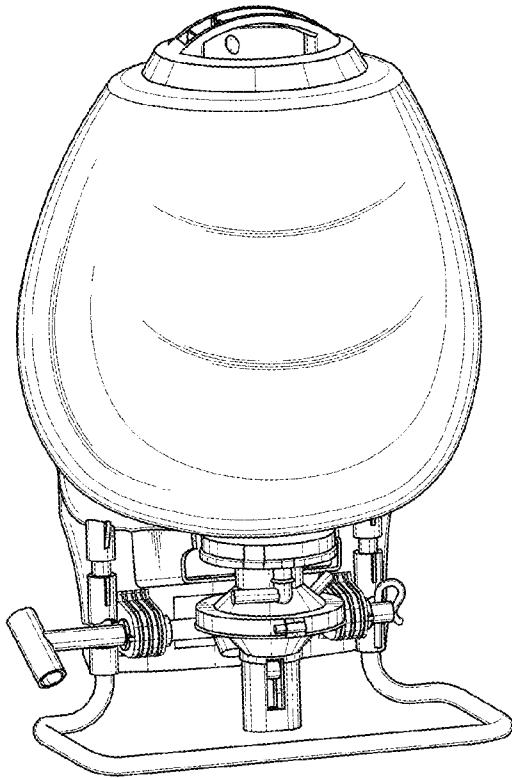


FIG. 1

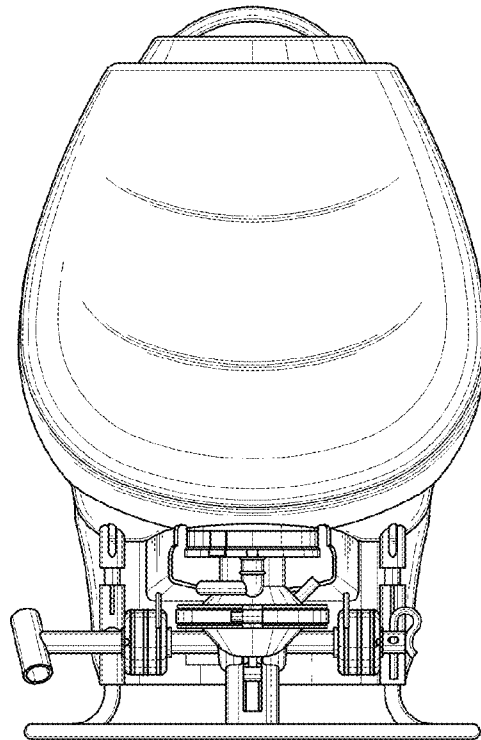


FIG. 2

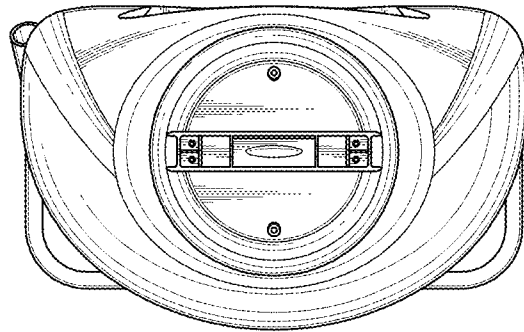


FIG. 3

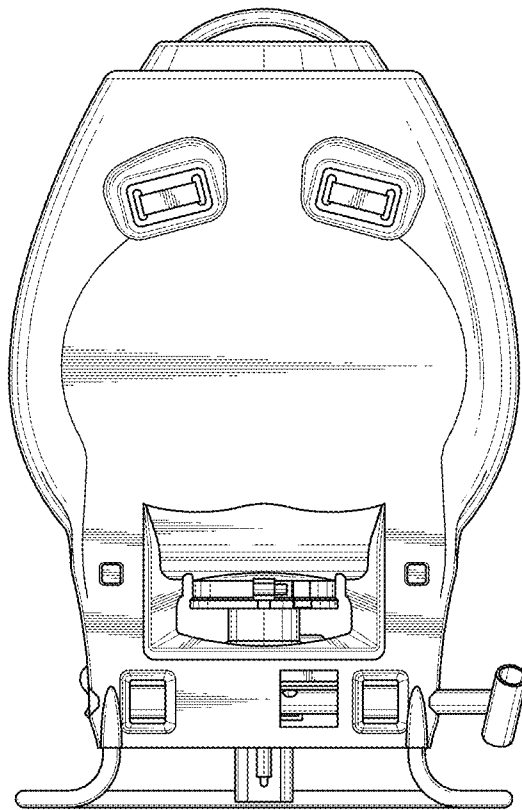


FIG. 4

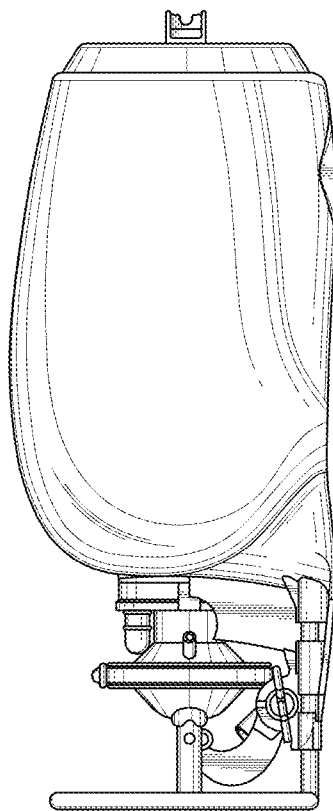


FIG. 5

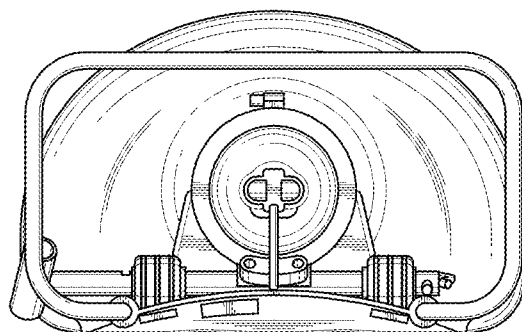


FIG. 6

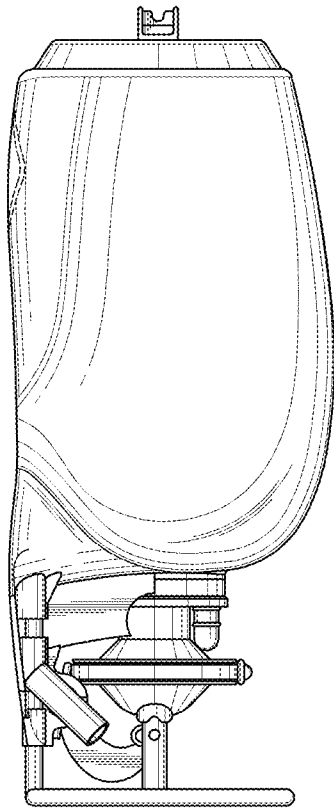


FIG. 7

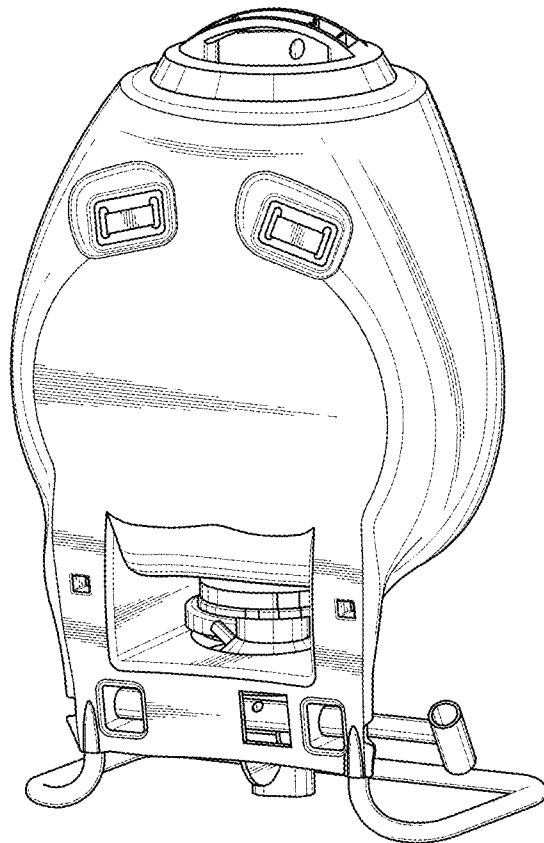


FIG. 8