



- (51) International Patent Classification:
H04L 29/06 (2006.01)
- (21) International Application Number:
PCT/US2013/053388
- (22) International Filing Date:
2 August 2013 (02.08.2013)
- (25) Filing Language:
English
- (26) Publication Language:
English
- (30) Priority Data:
61/678,677 2 August 2012 (02.08.2012) US
- (71) Applicant: **CELLSEC LIMITED** [US/US]; CellSec Limited, 18012 Auth Lane, Silver Spring, Maryland 20902 (US).
- (72) Inventors; and
- (71) Applicants (for US only): **GOLDSCHLAG, David** [US/US]; 18012 Auth Lane, Silver Spring, Maryland 20902 (US). **WEISS, Yoav** [IL/US]; 18012 Auth Lane, Silver Spring, Maryland 20902 (US). **GINTER, Karl** [US/US]; 10404 43rd Ave., Beltsville, Maryland 20705 (US). **BARTMAN, Michael** [US/US]; 10404 43rd Ave., Beltsville, Maryland 20705 (US).
- (74) Agent: **LENTINI, David**; 53 Clark Road, North Berwick, Maine 03906 (US).
- (81) Designated States (unless otherwise indicated, for every kind of national protection available): AE, AG, AL, AM,

AO, AT, AU, AZ, BA, BB, BG, BH, BN, BR, BW, BY, BZ, CA, CH, CL, CN, CO, CR, CU, CZ, DE, DK, DM, DO, DZ, EC, EE, EG, ES, FI, GB, GD, GE, GH, GM, GT, HN, HR, HU, ID, IL, IN, IS, JP, KE, KG, KN, KP, KR, KZ, LA, LC, LK, LR, LS, LT, LU, LY, MA, MD, ME, MG, MK, MN, MW, MX, MY, MZ, NA, NG, NI, NO, NZ, OM, PA, PE, PG, PH, PL, PT, QA, RO, RS, RU, RW, SC, SD, SE, SG, SK, SL, SM, ST, SV, SY, TH, TJ, TM, TN, TR, TT, TZ, UA, UG, US, UZ, VC, VN, ZA, ZM, ZW.

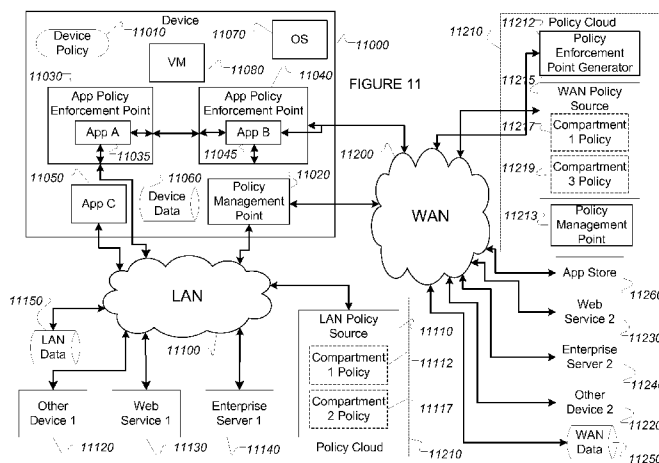
- (84) Designated States (unless otherwise indicated, for every kind of regional protection available): ARIPO (BW, GH, GM, KE, LR, LS, MW, MZ, NA, RW, SD, SL, SZ, TZ, UG, ZM, ZW), Eurasian (AM, AZ, BY, KG, KZ, RU, TJ, TM), European (AL, AT, BE, BG, CH, CY, CZ, DE, DK, EE, ES, FI, FR, GB, GR, HR, HU, IE, IS, IT, LT, LU, LV, MC, MK, MT, NL, NO, PL, PT, RO, RS, SE, SI, SK, SM, TR), OAPI (BF, BJ, CF, CG, CI, CM, GA, GN, GQ, GW, KM, ML, MR, NE, SN, TD, TG).

Published:

- with international search report (Art. 21(3))
- before the expiration of the time limit for amending the claims and to be republished in the event of receipt of amendments (Rule 48.2(h))

- (88) Date of publication of the international search report:
30 May 2014

(54) Title: CENTRALIZED INFORMATION MANAGEMENT POLICIES AND ENFORCEMENT



(57) Abstract: Methods, apparatus, systems, and non-transitory computer-readable media for managing a plurality of disparate computer application and data control policies on a computing device, especially a computing device connected to a computer network, are described. In one example, at least one policy distribution point is provided that includes least one policy distribution point including at least one information management policy. A plurality of policy enforcement points, including a first policy enforcement point operating at a first policy enforcement level, and a second enforcement point operating at second policy enforcement level, are also provided. A first policy element to the first policy enforcement point, and a second policy element to the second policy enforcement point, are allocated. A management compartment in computer memory in communication with said computing device including one or more computer applications, data, and metadata specified and controlled by the information management policy is also provided.

WO 2014/022755 A3

INTERNATIONAL SEARCH REPORT

International application No.

PCT/US13/53388

<p>A. CLASSIFICATION OF SUBJECT MATTER IPC(8) - H04L 29/06 (2014.01) USPC - 726/1 According to International Patent Classification (IPC) or to both national classification and IPC</p>														
<p>B. FIELDS SEARCHED</p> <p>Minimum documentation searched (classification system followed by classification symbols) IPC(8) Classification(s): H04L 29/06, 12/28, 9/00; G06F 15/173 (2014.01) USPC Classification(s): 726/1, 2; 713/153; 709/242; 370/256</p> <p>Documentation searched other than minimum documentation to the extent that such documents are included in the fields searched</p> <p>Electronic data base consulted during the international search (name of data base and, where practicable, search terms used) MicroPatent (US-G, US-A, EP-A, EP-B, WO, JP-bib, DE-C,B, DE-A, DE-T, DE-U, GB-A, FR-A); IEEE/IEEEXplore; Google/Google Scholar; IP.com; information, management, control, policies, rules, enforcement, distributed, disparate, separate</p>														
<p>C. DOCUMENTS CONSIDERED TO BE RELEVANT</p> <table border="1"> <thead> <tr> <th>Category*</th> <th>Citation of document, with indication, where appropriate, of the relevant passages</th> <th>Relevant to claim No.</th> </tr> </thead> <tbody> <tr> <td>X</td> <td>US 2008/0066148 A1, (LIM, K et al.) March 13, 2008; Abstract; Figures 2, 27; Paragraphs [0012], [0068], [0069], [0078], [0079], [0083], [0094], [0095], [0097], [0098], [0100], [0161], [0250], [0252], [0599], [0601], [0607], [0608].</td> <td>1-28</td> </tr> <tr> <td>A</td> <td>US 2012/0023546 A1, (KARTHA, A et al.) January 26, 2012; entire document.</td> <td>1-28</td> </tr> <tr> <td>A</td> <td>US 2010/0306179 A1, (LIM, K) December 2, 2010; entire document.</td> <td>1-28</td> </tr> </tbody> </table>			Category*	Citation of document, with indication, where appropriate, of the relevant passages	Relevant to claim No.	X	US 2008/0066148 A1, (LIM, K et al.) March 13, 2008; Abstract; Figures 2, 27; Paragraphs [0012], [0068], [0069], [0078], [0079], [0083], [0094], [0095], [0097], [0098], [0100], [0161], [0250], [0252], [0599], [0601], [0607], [0608].	1-28	A	US 2012/0023546 A1, (KARTHA, A et al.) January 26, 2012; entire document.	1-28	A	US 2010/0306179 A1, (LIM, K) December 2, 2010; entire document.	1-28
Category*	Citation of document, with indication, where appropriate, of the relevant passages	Relevant to claim No.												
X	US 2008/0066148 A1, (LIM, K et al.) March 13, 2008; Abstract; Figures 2, 27; Paragraphs [0012], [0068], [0069], [0078], [0079], [0083], [0094], [0095], [0097], [0098], [0100], [0161], [0250], [0252], [0599], [0601], [0607], [0608].	1-28												
A	US 2012/0023546 A1, (KARTHA, A et al.) January 26, 2012; entire document.	1-28												
A	US 2010/0306179 A1, (LIM, K) December 2, 2010; entire document.	1-28												
<p><input type="checkbox"/> Further documents are listed in the continuation of Box C. <input type="checkbox"/></p>														
<p>* Special categories of cited documents:</p> <table border="0"> <tr> <td>"A" document defining the general state of the art which is not considered to be of particular relevance</td> <td>"T" later document published after the international filing date or priority date and not in conflict with the application but cited to understand the principle or theory underlying the invention</td> </tr> <tr> <td>"E" earlier application or patent but published on or after the international filing date</td> <td>"X" document of particular relevance; the claimed invention cannot be considered novel or cannot be considered to involve an inventive step when the document is taken alone</td> </tr> <tr> <td>"L" document which may throw doubts on priority claim(s) or which is cited to establish the publication date of another citation or other special reason (as specified)</td> <td>"Y" document of particular relevance; the claimed invention cannot be considered to involve an inventive step when the document is combined with one or more other such documents, such combination being obvious to a person skilled in the art</td> </tr> <tr> <td>"O" document referring to an oral disclosure, use, exhibition or other means</td> <td>"&" document member of the same patent family</td> </tr> <tr> <td>"P" document published prior to the international filing date but later than the priority date claimed</td> <td></td> </tr> </table>			"A" document defining the general state of the art which is not considered to be of particular relevance	"T" later document published after the international filing date or priority date and not in conflict with the application but cited to understand the principle or theory underlying the invention	"E" earlier application or patent but published on or after the international filing date	"X" document of particular relevance; the claimed invention cannot be considered novel or cannot be considered to involve an inventive step when the document is taken alone	"L" document which may throw doubts on priority claim(s) or which is cited to establish the publication date of another citation or other special reason (as specified)	"Y" document of particular relevance; the claimed invention cannot be considered to involve an inventive step when the document is combined with one or more other such documents, such combination being obvious to a person skilled in the art	"O" document referring to an oral disclosure, use, exhibition or other means	"&" document member of the same patent family	"P" document published prior to the international filing date but later than the priority date claimed			
"A" document defining the general state of the art which is not considered to be of particular relevance	"T" later document published after the international filing date or priority date and not in conflict with the application but cited to understand the principle or theory underlying the invention													
"E" earlier application or patent but published on or after the international filing date	"X" document of particular relevance; the claimed invention cannot be considered novel or cannot be considered to involve an inventive step when the document is taken alone													
"L" document which may throw doubts on priority claim(s) or which is cited to establish the publication date of another citation or other special reason (as specified)	"Y" document of particular relevance; the claimed invention cannot be considered to involve an inventive step when the document is combined with one or more other such documents, such combination being obvious to a person skilled in the art													
"O" document referring to an oral disclosure, use, exhibition or other means	"&" document member of the same patent family													
"P" document published prior to the international filing date but later than the priority date claimed														
<p>Date of the actual completion of the international search</p> <p>7 March 2014 (07.03.2014)</p>		<p>Date of mailing of the international search report</p> <p>28 MAR 2014</p>												
<p>Name and mailing address of the ISA/US</p> <p>Mail Stop PCT, Attn: ISA/US, Commissioner for Patents P.O. Box 1450, Alexandria, Virginia 22313-1450 Facsimile No. 571-273-3201</p>		<p>Authorized officer:</p> <p>Shane Thomas</p> <p>PCT Helpdesk: 571-272-4300 PCT OSP: 571-272-7774</p>												