

(19) World Intellectual Property Organization
International Bureau



(43) International Publication Date
20 September 2001 (20.09.2001)

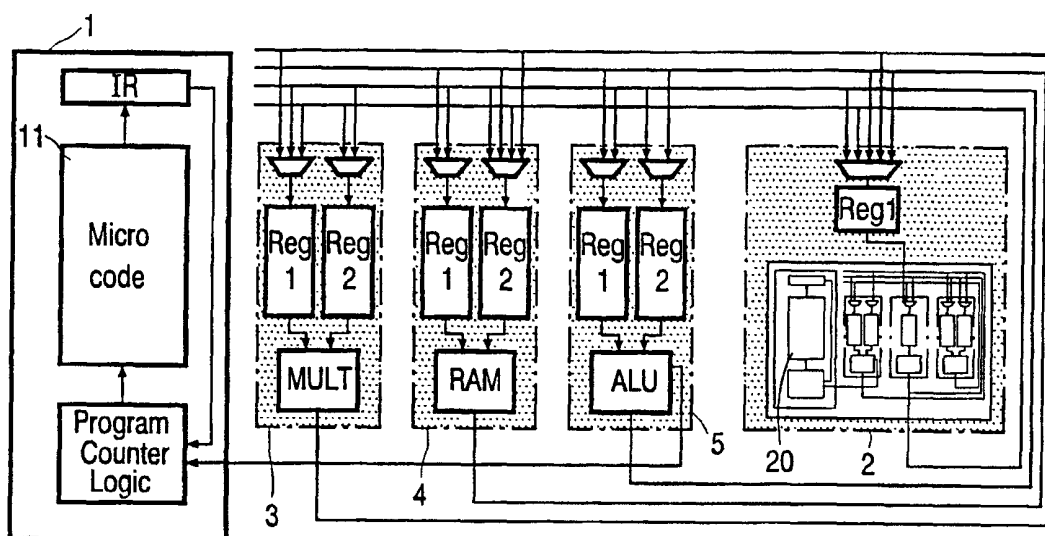
PCT

(10) International Publication Number
WO 01/69372 A3

- (51) International Patent Classification⁷: G06F 9/44, 9/38
LIPPENS, Paul, E., R.: Prof. Holstlaan 6, NL-5656 AA Eindhoven (NL).
- (21) International Application Number: PCT/EP01/02270
(74) Agent: DE JONG, Durk, J.: Internationaal Octrooibureau B.V., Prof Holstlaan 6, NL-5656 AA Eindhoven (NL).
- (22) International Filing Date: 28 February 2001 (28.02.2001)
(81) Designated States (national): CN, JP.
- (25) Filing Language: English
(84) Designated States (regional): European patent (AT, BE, CH, CY, DE, DK, ES, FI, FR, GB, GR, IE, IT, LU, MC, NL, PT, SE, TR).
- (26) Publication Language: English
- (30) Priority Data:
00200870.4 10 March 2000 (10.03.2000) EP
Published:
— with international search report
- (71) Applicant: KONINKLIJKE PHILIPS ELECTRONICS N.V. [NL/NL]; Groenewoudseweg 1, NL-5621 BA Eindhoven (NL).
(88) Date of publication of the international search report:
14 March 2002

- (72) Inventors: BUSA, Natalino, G.: Prof. Holstlaan 6, NL-5656 AA Eindhoven (NL). VAN DER WERF, Albert; Prof. Holstlaan 6, NL-5656 AA Eindhoven (NL).
For two-letter codes and other abbreviations, refer to the "Guidance Notes on Codes and Abbreviations" appearing at the beginning of each regular issue of the PCT Gazette.

(54) Title: METHOD FOR COMPILING A PROGRAM



(57) Abstract: A data processing device is described which at least comprises a master controller (1), a first functional unit (2) which includes a slave controller (20), a second functional unit (3). The functional units (2,3) share common memory means (11). The device is programmed for executing an instruction by the first functional unit (2), the execution of said instruction involving input/output operations by the first functional unit (3), wherein output data of the first functional unit (2) is processed by the second functional unit (3) during said execution and/or the input data is generated by the second functional (3) unit during said execution.

WO 01/69372 A3

INTERNATIONAL SEARCH REPORT

International Application No

PCT/EP 01/02270

A. CLASSIFICATION OF SUBJECT MATTER
 IPC 7 G06F9/44 G06F9/38

According to International Patent Classification (IPC) or to both national classification and IPC

B. FIELDS SEARCHED

Minimum documentation searched (classification system followed by classification symbols)
 IPC 7 G06F

Documentation searched other than minimum documentation to the extent that such documents are included in the fields searched

Electronic data base consulted during the international search (name of data base and, where practical, search terms used)
 EPO-Internal

C. DOCUMENTS CONSIDERED TO BE RELEVANT

Category °	Citation of document, with indication, where appropriate, of the relevant passages	Relevant to claim No.
A	EP 0 363 222 A (APOLLO COMPUTER) 11 April 1990 (1990-04-11) abstract	1, 4, 6
A	EP 0 794 492 A (COMPAQ COMPUTER CORP) 10 September 1997 (1997-09-10)	

Further documents are listed in the continuation of box C.

Patent family members are listed in annex.

° Special categories of cited documents :

- *A* document defining the general state of the art which is not considered to be of particular relevance
- *E* earlier document but published on or after the international filing date
- *L* document which may throw doubts on priority claim(s) or which is cited to establish the publication date of another citation or other special reason (as specified)
- *O* document referring to an oral disclosure, use, exhibition or other means
- *P* document published prior to the international filing date but later than the priority date claimed

- *T* later document published after the international filing date or priority date and not in conflict with the application but cited to understand the principle or theory underlying the invention
- *X* document of particular relevance; the claimed invention cannot be considered novel or cannot be considered to involve an inventive step when the document is taken alone
- *Y* document of particular relevance; the claimed invention cannot be considered to involve an inventive step when the document is combined with one or more other such documents, such combination being obvious to a person skilled in the art.
- *G* document member of the same patent family

Date of the actual completion of the international search 19 November 2001	Date of mailing of the international search report 26/11/2001
---	--

Name and mailing address of the ISA European Patent Office, P.B. 5818 Patentlaan 2 NL - 2280 HV Rijswijk Tel. (+31-70) 340-2040, Tx. 31 651 epo nl, Fax: (+31-70) 340-3016	Authorized officer Écolivet, S.
--	--

INTERNATIONAL SEARCH REPORT

Information on patent family members

International Application No

PCT/EP 01/02270

Patent document cited in search report		Publication date	Patent family member(s)	Publication date
EP 0363222	A	11-04-1990	US 5051885 A	24-09-1991
			DE 68927492 D1	09-01-1997
			DE 68927492 T2	03-04-1997
			EP 0363222 A2	11-04-1990
			JP 2224055 A	06-09-1990
			JP 2864421 B2	03-03-1999

EP 0794492	A	10-09-1997	US 5706514 A	06-01-1998
			EP 0794492 A2	10-09-1997
