



US00D350216S

United States Patent [19]

[11] Patent Number: Des. 350,216

Heaton

[45] Date of Patent: ** Aug. 30, 1994

[54] DISPOSABLE LIGHTER SUPPORTING CLIP

4,953,770 9/1990 Bond, Sr. 224/252 X
4,955,518 9/1990 Parsons et al. 224/247
5,026,274 6/1991 Jacob .

[76] Inventor: **Nowell G. Heaton**, 8659 Rosena,
Fontana, Calif. 92335

Primary Examiner—Wallace R. Burke
Assistant Examiner—H. Baynham
Attorney, Agent, or Firm—Terry M. Gernstein

[**] Term: **14 Years**

[57] CLAIM

[21] Appl. No.: **5,882**

The ornamental design for a disposable lighter support-
ing clip, as shown and described.

[22] Filed: **Mar. 15, 1993**

[52] U.S. Cl. **D27/144**

[58] Field of Search 224/247, 252; D27/144,
D27/172; D19/56

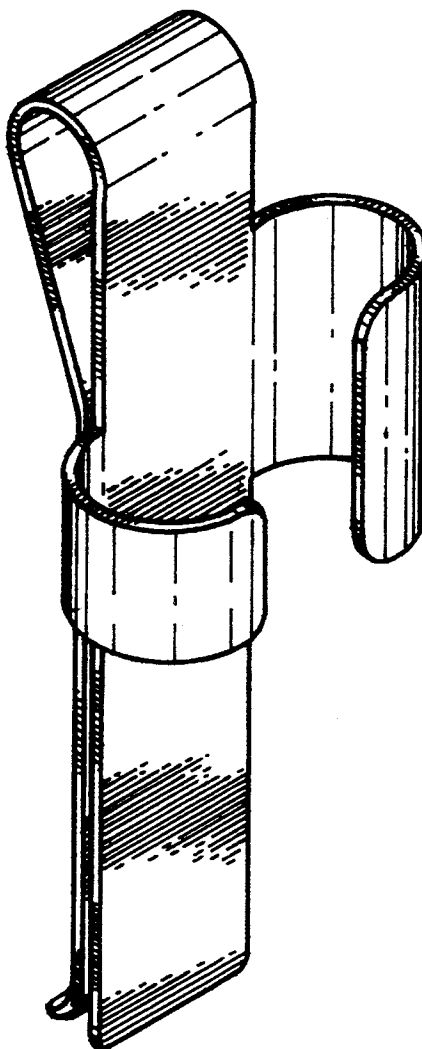
DESCRIPTION

[56] References Cited

U.S. PATENT DOCUMENTS

- D. 184,253 1/1959 Denison D19/56
- D. 261,775 11/1981 Valigura D19/56
- D. 303,159 8/1989 Heath D27/175 X
- 1,464,659 8/1923 Keely 224/247
- 4,363,432 12/1982 Warthen .
- 4,745,661 5/1988 Wainscott .

FIG. 1 is a front, top and side perspective view of the
disposable lighter supporting clip embodying the design
of the present invention;
FIG. 2 is a side elevational view thereof;
FIG. 3 is an opposite side elevational view thereof;
FIG. 4 is a front elevational view thereof;
FIG. 5 is a rear elevational view thereof;
FIG. 6 is a top plan view thereof; and,
FIG. 7 is a bottom plan view thereof.



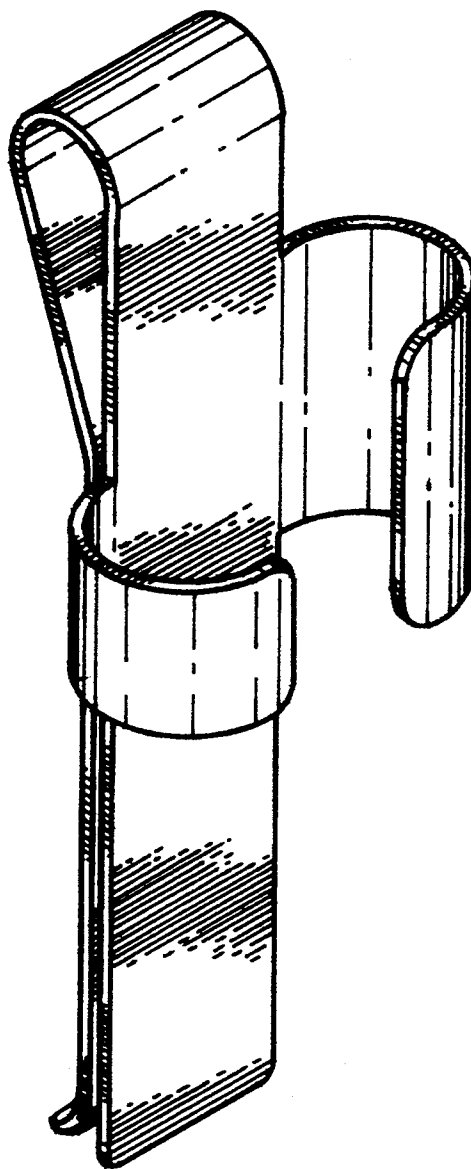


FIG. 1

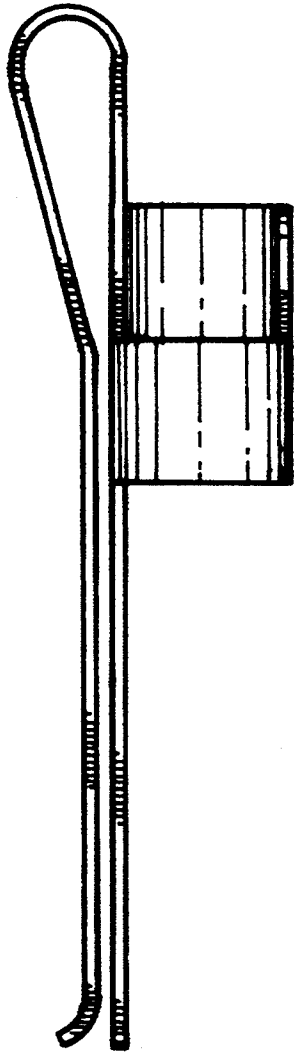


FIG. 2

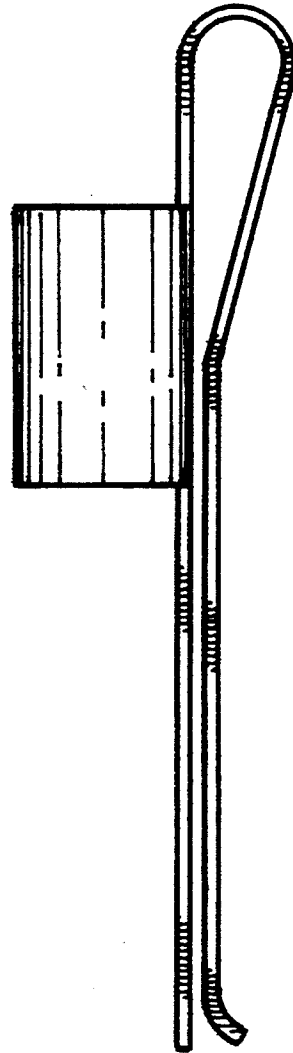


FIG. 3

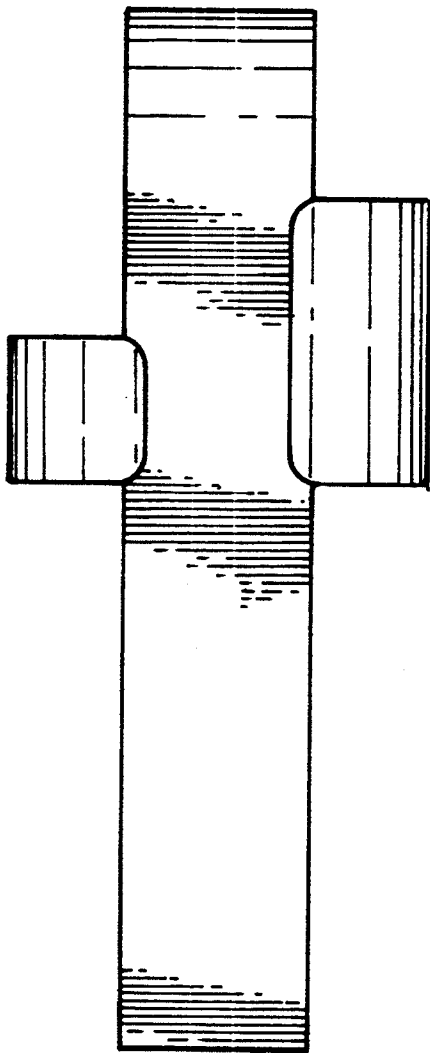


FIG. 4

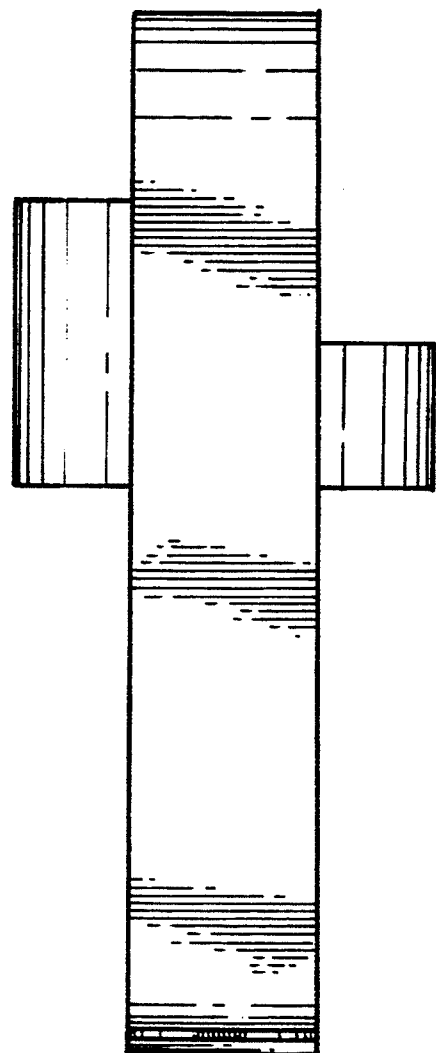


FIG. 5

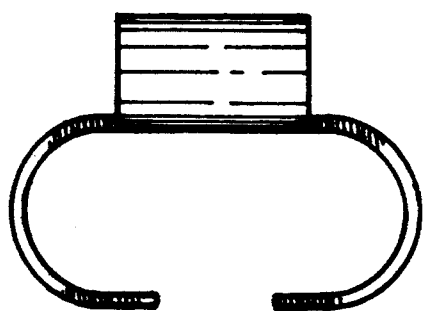


FIG. 6

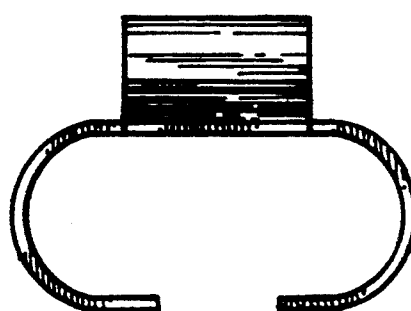


FIG. 7