



US00D670042S

(12) **United States Design Patent**
Anderson

(10) **Patent No.:** **US D670,042 S**

(45) **Date of Patent:** **** Oct. 30, 2012**

- (54) **PET BOWL**
- (75) Inventor: **Norman Anderson**, Brooklyn, NY (US)
- (73) Assignee: **J.W. Pet Company, Inc.**, Teterboro, NJ (US)
- (**) Term: **14 Years**
- (21) Appl. No.: **29/416,669**
- (22) Filed: **Mar. 26, 2012**

D44,932 S	*	11/1913	Mittinger	D7/584
1,224,305 A		5/1917	Kraus		
D54,074 S		11/1919	Fritz		
D56,761 S		12/1920	Miller		
1,562,620 A		11/1925	Dill		
D70,354 S		6/1926	Bennett		
1,600,055 A		9/1926	Meyer		
1,831,593 A		11/1931	Garvey		
1,891,077 A		12/1932	Beach		
D89,262 S		2/1933	Nunimaker		
2,053,949 A		9/1936	Emery		
D105,450 S		7/1937	Clifton		
D105,812 S		8/1937	Siekert		

(Continued)

Related U.S. Application Data

- (62) Division of application No. 29/388,393, filed on Mar. 29, 2011, now Pat. No. Des. 659,296.
 - (51) **LOC (9) Cl.** **30-03**
 - (52) **U.S. Cl.** **D30/129**
 - (58) **Field of Classification Search** D30/121, D30/122, 129-133; 119/61.5, 51.01, 61.56, 119/51.03, 59, 62, 63, 51.5, 57.8, 74, 61.54, 119/61.55; 312/204; 248/151, 188; 108/156, 108/153.1-157; 220/23.87, 630, 737, 743, 220/9.4, 495.01, 574, 212, 255, 23.83; 206/515; D7/586, 543, 550.1, 587, 505, 584, 545, 500, D7/553.1-553.8, 546, 555, 556, 504, 565, D7/562, 602; D9/429; 43/109; D22/122; 99/430, DIG. 15
- See application file for complete search history.

FOREIGN PATENT DOCUMENTS

GB 2 271 705 4/1994

(Continued)

OTHER PUBLICATIONS

www.brake-fast.net; Retrieved from archive.org on Mar. 25, 2009, archived on Dec. 10, 2006.

(Continued)

Primary Examiner — Susan Moon Lee

(74) *Attorney, Agent, or Firm* — Katten Muchin Rosenman LLP

CLAIM

(57) I claim the ornamental design for a pet bowl, as shown and described.

References Cited

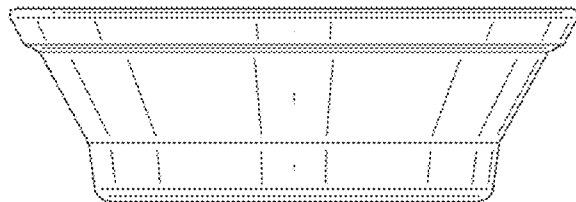
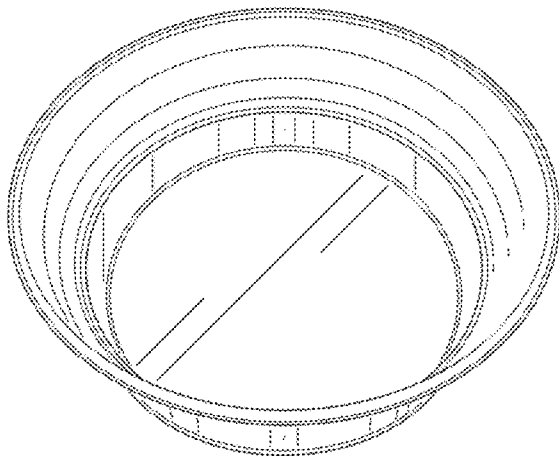
U.S. PATENT DOCUMENTS

75,673 A	3/1868	Gibson
D20,134 S	9/1890	Alden
459,032 A	9/1891	Worthley
472,316 A	4/1892	Smith
495,872 A	4/1893	Ball
D22,986 S	12/1893	Babbitt
571,196 A	2/1897	Johnson
603,492 A	5/1898	Waterer
670,487 A	3/1901	Van Wagner
747,677 A	12/1903	Bierley
D43,525 S	2/1913	Dunn

DESCRIPTION

FIG. 1 is a perspective view of the pet bowl;
FIG. 2 is a front view thereof;
FIG. 3 is a rear view thereof;
FIG. 4 is a left side view thereof;
FIG. 5 is a right side view thereof;
FIG. 6 is a top view thereof; and,
FIG. 7 is a bottom view thereof.

1 Claim, 5 Drawing Sheets



US D670,042 S

U.S. PATENT DOCUMENTS								
2,103,083	A	12/1937	Lynch	D244,216	S	5/1977	Gerber	
2,174,725	A	10/1939	Hutaff, Jr.	D244,948	S	7/1977	Foley et al.	
2,178,812	A	11/1939	Schade	D245,104	S	7/1977	Gross	
2,191,811	A	2/1940	Trampier, Sr.	4,044,723	A	8/1977	Fitzpatrick	
2,211,330	A	8/1940	Hochberg	4,050,184	A	9/1977	Chiari	
2,213,837	A	9/1940	Gill	D246,627	S	12/1977	Sugiyama	
2,259,682	A	10/1941	Collins	4,085,706	A	4/1978	Evans	
2,419,834	A	4/1947	Grindstaff	D248,006	S	* 5/1978	Christian	D7/584
D156,331	S	12/1949	French	4,089,498	A	5/1978	Woodruff	
D157,803	S	3/1950	Ulmer	D248,076	S	* 6/1978	Christian	D7/545
D158,159	S	4/1950	Verlod	4,106,658	A	8/1978	Brandon	
2,521,703	A	9/1950	Emmitt	D249,605	S	9/1978	Skermetta	
D160,890	S	11/1950	Reifsnnyder et al.	4,127,189	A	11/1978	Shumrak et al.	
2,554,086	A	5/1951	Block	D253,373	S	11/1979	Celeste	
2,584,301	A	2/1952	Sinclair	4,208,836	A	6/1980	Kramer	
D166,410	S	4/1952	Press	D256,958	S	9/1980	Markham	
D167,555	S	8/1952	Bisharat	D257,494	S	11/1980	Imhoff	
2,677,350	A	5/1954	Prestidge, et al.	D258,018	S	1/1981	Venditto et al.	
2,699,752	A	1/1955	Reyes	D259,669	S	6/1981	Peterson	
2,783,046	A	2/1957	Lien	4,270,490	A	6/1981	Kopp	
D180,676	S	7/1957	Thorpe	D261,465	S	10/1981	Minchew	
2,813,509	A	11/1957	Bruno	D262,069	S	11/1981	Khider	
2,905,351	A	9/1959	Lerner	4,335,679	A	6/1982	Carlin	
D186,415	S	10/1959	Ikeda	4,357,905	A	11/1982	Carpenter	
2,928,372	A	3/1960	Farley	D267,221	S	12/1982	Williams	
2,990,640	A	7/1961	Burnbaum	4,363,354	A	12/1982	Strickland	
D191,058	S	8/1961	Jones	4,378,007	A	3/1983	Kachadourian	
3,076,579	A	2/1963	Kuhlman	D269,386	S	6/1983	Khider	
D194,784	S	3/1963	Van Vorhis	D270,323	S	8/1983	Powers	
D197,574	S	2/1964	Gulotta	4,428,325	A	1/1984	Koch	
3,180,316	A	4/1965	Chatfield, et al.	4,436,056	A	3/1984	MacLeod	
D201,670	S	7/1965	Moore	D274,781	S	7/1984	Baker et al.	
3,195,510	A	7/1965	Bernstein	D278,167	S	3/1985	Kilham	
3,198,173	A	8/1965	Fisher	4,532,891	A	8/1985	Jones	
3,202,423	A	* 8/1965	Becker	4,576,118	A	3/1986	Meadows	
3,266,533	A	8/1966	McHale	D283,496	S	4/1986	Pisarkiewicz	
D207,167	S	3/1967	Fisher	4,585,416	A	4/1986	DeNiro et al.	
3,349,739	A	10/1967	Griese, Jr.	D284,438	S	* 7/1986	Levien	D7/584
D209,677	S	12/1967	Robert	4,603,851	A	8/1986	Russell	
D212,191	S	9/1968	Mineo	D288,053	S	2/1987	Maza et al.	
3,405,685	A	10/1968	Harrrell	D289,269	S	* 4/1987	Fleckenstein	D11/157
3,455,280	A	7/1969	Keene	4,658,759	A	4/1987	Brown	
3,491,724	A	1/1970	Sunner	D289,807	S	5/1987	Russell	
3,498,268	A	3/1970	Sleith et al.	D292,446	S	10/1987	Gilbert	
D217,360	S	4/1970	Robert	4,699,089	A	10/1987	Teschke	
3,521,788	A	7/1970	Kandel, et al.	4,701,131	A	10/1987	Hildebrandt et al.	
D219,284	S	11/1970	Hunt	D293,767	S	1/1988	Powers	
3,578,524	A	5/1971	Ignell	4,721,063	A	1/1988	Atchley	
3,611,998	A	10/1971	Loscalzo	D294,531	S	3/1988	Neunzig	
3,622,036	A	11/1971	Bongaerts	D296,020	S	5/1988	McCarroll	
3,633,587	A	1/1972	Hunt	4,756,420	A	7/1988	Deaton	
3,651,787	A	3/1972	Cooper	4,800,845	A	1/1989	Budd	
3,653,362	A	4/1972	Davis	D299,771	S	2/1989	Kennedy	
3,664,304	A	5/1972	Carter	4,802,444	A	2/1989	Markham et al.	
3,671,008	A	6/1972	Villalba, Jr.	4,803,954	A	* 2/1989	Welch et al.	119/61.53
3,698,594	A	10/1972	Boehlert	4,832,200	A	5/1989	Deaton et al.	
3,722,476	A	3/1973	Van Ness et al.	D302,753	S	8/1989	Zelinger	
D226,692	S	4/1973	Sherman	D302,756	S	8/1989	Trine	
3,734,062	A	5/1973	O'Hara	4,857,333	A	8/1989	Harold	
D227,139	S	6/1973	Niven	D303,728	S	10/1989	Spanier et al.	
3,763,826	A	10/1973	Portelli	4,886,016	A	12/1989	Atchley	
D229,074	S	11/1973	Cuprak	D305,846	S	2/1990	Griffith	
3,776,193	A	12/1973	Post, Sr.	D305,950	S	2/1990	Spiel et al.	
D230,034	S	1/1974	Goldman et al.	D305,951	S	2/1990	Spiel et al.	
3,788,583	A	1/1974	Byrd	4,905,629	A	3/1990	Hand et al.	
3,810,446	A	5/1974	Kightlinger et al.	D309,551	S	* 7/1990	Seitz	D7/585
3,830,202	A	8/1974	Garrison	4,953,506	A	9/1990	Sanders	
D232,658	S	9/1974	Fassauer	D312,515	S	11/1990	Hall	
3,838,772	A	10/1974	Lang et al.	D312,753	S	* 12/1990	Unger	D7/585
D234,180	S	* 1/1975	Dart et al.	D312,948	S	* 12/1990	Unger	D7/585
D234,789	S	4/1975	Rosenberg	D313,486	S	1/1991	Conner	
3,889,950	A	6/1975	Kasravi	D313,487	S	1/1991	Conner	
D236,412	S	8/1975	Koretz et al.	D313,488	S	1/1991	Conner	
D237,787	S	11/1975	Weyrich, Jr. et al.	D313,489	S	1/1991	Conner	
3,958,504	A	5/1976	Levin	D314,253	S	* 1/1991	Goetz	D30/129
3,991,719	A	11/1976	Bruce	4,981,108	A	1/1991	Faeroe	
3,995,595	A	12/1976	Williams	4,986,433	A	1/1991	Davis	
4,011,951	A	3/1977	Boyer	D314,310	S	* 2/1991	Pyle	D7/543
				5,000,123	A	3/1991	Morse et al.	

US D670,042 S

D315,974 S	4/1991	Steiner	D377,244 S	1/1997	Steininger
5,031,575 A	7/1991	Phillips	5,601,012 A	2/1997	Ellner
5,037,084 A	8/1991	Flor	D378,886 S *	4/1997	Joyce D7/585
D320,495 S	10/1991	Pallesen	5,619,952 A	4/1997	Walker
D321,572 S	11/1991	Laden	D379,223 S	5/1997	Kramer et al.
5,069,166 A	12/1991	Ahuna	5,626,256 A	5/1997	Onneweer
D324,798 S *	3/1992	Wonder D7/585	5,628,276 A	5/1997	Raposa
D325,684 S	4/1992	Deare	5,638,638 A	6/1997	Moskowitz
5,105,769 A	4/1992	Smith et al.	D380,879 S	7/1997	Hernandez
5,113,798 A	5/1992	Rera	D381,472 S *	7/1997	Catalano et al. D30/130
5,125,184 A	6/1992	Anderson	5,647,302 A	7/1997	Shipp
D329,681 S	9/1992	Demarest et al.	5,649,499 A	7/1997	Krietzman et al.
5,147,980 A	9/1992	Ferguson, Jr.	D382,382 S	8/1997	Weinacker, Jr.
D330,785 S	11/1992	Jordan	D383,031 S	9/1997	Cousins
5,169,023 A	12/1992	Heiberg et al.	5,669,328 A	9/1997	Lanfranchi
D333,937 S	3/1993	Prosser	D385,068 S	10/1997	Malcolm
5,193,487 A	3/1993	Vogel	D385,188 S	10/1997	Williams
5,205,242 A	4/1993	Kasselman	5,676,275 A	10/1997	Khattar
5,207,420 A	5/1993	Crawford et al.	5,709,168 A	1/1998	Walker
D337,025 S *	7/1993	Merwin et al. D7/586	D390,418 S	2/1998	Jagger
D337,398 S	7/1993	Axelrod	D391,440 S	3/1998	Cousins
RE34,352 E	8/1993	Markham et al.	D393,107 S	3/1998	Tsengas
D338,375 S *	8/1993	Andress D7/565	5,724,914 A	3/1998	Nemeth
5,236,196 A	8/1993	Blankenburg et al.	5,730,081 A	3/1998	Tsengas
D340,552 S	10/1993	Smith	5,743,210 A	4/1998	Lampe
5,253,609 A	10/1993	Partelow et al.	5,775,255 A	7/1998	Louviere, III
5,263,436 A	11/1993	Axelrod	5,782,201 A	7/1998	Wells
D342,352 S	12/1993	Embrey	5,782,374 A	7/1998	Walker
5,277,149 A	1/1994	East	5,787,839 A	8/1998	Magnant et al.
D344,370 S	2/1994	Dryden et al.	5,794,564 A	8/1998	Paro
D344,591 S	2/1994	Zhuang	5,800,244 A	9/1998	Barton, Jr.
5,297,504 A	3/1994	Carrico	5,813,638 A	9/1998	Morris
D348,915 S	7/1994	Fraser	D399,569 S	10/1998	Wier et al.
D349,786 S	8/1994	Markham	D400,620 S	11/1998	Barton, Jr.
5,339,771 A	8/1994	Axelrod	D400,672 S	11/1998	Kramer et al.
5,341,596 A	8/1994	Kao	D401,475 S	11/1998	Ritchey
D351,464 S	10/1994	Kramer et al.	D402,852 S *	12/1998	Benson D7/545
5,352,465 A	10/1994	Gondek et al.	5,855,185 A	1/1999	Scott
D352,207 S *	11/1994	Jaworski D7/585	5,857,427 A	1/1999	Kelley
5,366,103 A	11/1994	Abernathy et al.	D405,561 S	2/1999	Willinger et al.
D353,519 S *	12/1994	Wolfenden D7/584	D405,900 S	2/1999	Driscoll
5,392,948 A	2/1995	McEntee	5,881,670 A	3/1999	Pelsor
D356,355 S	3/1995	Martin	5,887,545 A	3/1999	Cuttress
D357,952 S	5/1995	Chen	D407,868 S	4/1999	Axelrod
D358,738 S	5/1995	Brown et al.	D408,482 S	4/1999	Morrison
5,419,283 A	5/1995	Leo	5,904,264 A	5/1999	Yamada et al.
5,419,454 A	5/1995	Stowell et al.	D410,780 S	6/1999	McGinty
D359,327 S	6/1995	Gould	D412,377 S	7/1999	Sharon
5,423,452 A	6/1995	Tardif	D412,605 S	8/1999	Sharon
D362,089 S *	9/1995	Moore et al. D30/129	D412,767 S	8/1999	Bemis et al.
D364,998 S *	12/1995	Held D7/545	5,938,162 A	8/1999	Honjo
5,474,033 A	12/1995	Mitchell, Jr.	D414,303 S	9/1999	Sharon
5,478,034 A	12/1995	Cunningham et al.	5,979,361 A	11/1999	Willinger
5,480,143 A	1/1996	McMurry	5,989,604 A	11/1999	Wolf et al.
5,485,937 A	1/1996	Tseng	5,996,531 A	12/1999	Anderson
D367,504 S	2/1996	Barzani	D418,639 S	1/2000	Simon
5,488,927 A	2/1996	Lorenzana et al.	D420,857 S *	2/2000	Loew et al. D7/558
5,501,176 A	3/1996	Tully	6,032,824 A	3/2000	Barrow
5,509,376 A	4/1996	Tsengas	D422,761 S	4/2000	Zalevsky
D370,147 S	5/1996	Petronio	D422,843 S	4/2000	Rashid
D370,314 S	5/1996	Pearson-Falcon	D422,845 S *	4/2000	Wonder D7/588
5,526,773 A	6/1996	Richardson	D423,149 S	4/2000	Cooper et al.
D372,750 S	8/1996	Schloss	D423,733 S	4/2000	Choi et al.
5,544,377 A	8/1996	Gostine	D423,880 S	5/2000	Rashid
5,546,894 A	8/1996	St-Pierre	D424,281 S	5/2000	Jebber et al.
D373,449 S	9/1996	Chen	D424,757 S	5/2000	Cooper et al.
D374,513 S	10/1996	Melvin	6,062,166 A	5/2000	Macrina
D374,517 S	10/1996	Morrill	6,065,428 A	5/2000	Fronk
5,560,315 A	10/1996	Lampe	D426,104 S	6/2000	Bradley
5,560,732 A	10/1996	Kulp et al.	D427,389 S	6/2000	Baiera et al.
5,564,345 A	10/1996	Crawford et al.	D427,390 S	6/2000	Gill
5,564,362 A	10/1996	Fiveash	D427,391 S	6/2000	Gill
5,564,363 A	10/1996	Soffici	D428,136 S	7/2000	Cady et al.
D375,819 S	11/1996	Benson	6,082,301 A	7/2000	Kramer
5,570,655 A	11/1996	Targa	6,093,441 A	7/2000	Axelrod
5,577,461 A	11/1996	Sebastian et al.	6,098,571 A	8/2000	Axelrod et al.
D376,449 S	12/1996	Axelrod	6,112,698 A	9/2000	Zelinger
D376,960 S *	12/1996	Ferris D7/629	6,119,628 A	9/2000	Lorenzana et al.
5,584,263 A	12/1996	Sexton	D431,886 S	10/2000	Owens

US D670,042 S

D432,741 S	10/2000	Owens		D504,197 S	4/2005	Huthmaker et al.	
6,145,474 A	11/2000	Lemkin		D504,747 S	5/2005	Herrenbruck	
6,152,319 A	11/2000	Kamachi et al.		D511,029 S	10/2005	Willinger	
D435,197 S *	12/2000	Wellner	D7/558	D511,030 S	10/2005	Byrne	
D435,660 S	12/2000	Yoo		D512,189 S	11/2005	Byrne	
6,159,508 A	12/2000	Wolf et al.		D512,539 S	12/2005	Brunes et al.	
D439,707 S	3/2001	Hansen et al.		D514,263 S	1/2006	Willinger	
6,202,598 B1	3/2001	Willinger		6,990,927 B2	1/2006	Axelrod	
6,209,487 B1	4/2001	Quinlan et al.		D514,278 S	2/2006	Weinberg	
6,220,980 B1	4/2001	Adler		D514,602 S	2/2006	Draper	
D441,621 S	5/2001	Levy		D514,750 S	2/2006	Matula	
6,230,653 B1	5/2001	Tobin		D516,255 S *	2/2006	Maguire	D30/129
6,237,532 B1	5/2001	Derr		D516,806 S	3/2006	Lawrence	
D443,395 S	6/2001	Suns		D523,996 S	6/2006	Fine	
D444,034 S	6/2001	Miller et al.		D526,529 S	8/2006	Henry et al.	
D446,361 S	8/2001	Elliott		D527,273 S	8/2006	Edwards	
D446,362 S	8/2001	Choi et al.		7,087,260 B2	8/2006	Axelrod	
D447,007 S *	8/2001	Schultz	D7/545	D529,838 S	10/2006	Boling	
D450,538 S *	11/2001	Benson	D7/585	D531,081 S	10/2006	Fan	
D450,539 S *	11/2001	Benson	D7/585	D536,757 S	2/2007	Hedeem, Jr.	
D450,894 S	11/2001	Suchowski et al.		D540,181 S	4/2007	Edwards	
6,311,640 B1	11/2001	Mercado		D540,496 S	4/2007	Axelrod	
D451,651 S	12/2001	Kaplan		D543,743 S	6/2007	Edwards	
D452,118 S *	12/2001	Benson	D7/586	D546,630 S *	7/2007	Asner	D7/587
6,330,956 B1	12/2001	Willinger		D549,889 S	8/2007	Winkler et al.	
D453,242 S	1/2002	Kaplan		D550,041 S *	9/2007	Rush et al.	D7/542
6,339,899 B1	1/2002	Lehmann		D551,400 S	9/2007	Tsengas et al.	
D453,400 S	2/2002	Kaplan		D551,977 S	10/2007	Daniels	
D454,990 S	3/2002	Lorenzana		D552,634 S	10/2007	Janiszewski	
D458,419 S	6/2002	Ross		D556,568 S *	12/2007	DuVal	D9/500
D459,841 S	7/2002	Ross		D560,438 S *	1/2008	Hamberger et al.	D7/545
6,439,166 B1	8/2002	Markham		D561,021 S *	2/2008	DuVal et al.	D9/500
D462,487 S	9/2002	Axelrod		D563,607 S	3/2008	Northrop	
D465,884 S	11/2002	Ross		D563,608 S	3/2008	Kitchen	
D466,655 S	12/2002	Zelinger		D563,609 S	3/2008	Gick	
D467,125 S	12/2002	Orr et al.		D564,138 S *	3/2008	Dunn et al.	D30/129
D467,687 S	12/2002	Tangolics		D564,710 S	3/2008	Modi et al.	
D468,378 S	1/2003	Routzong		D564,711 S	3/2008	Modi et al.	
6,516,747 B1	2/2003	Willinger		D565,356 S	4/2008	Mellen et al.	
D471,677 S	3/2003	Northrop		D568,109 S *	5/2008	Weber	D7/545
D473,683 S	4/2003	Willinger		D575,581 S	8/2008	Harris	
6,539,893 B1	4/2003	Otto-Lubker et al.		D576,357 S	9/2008	Rutherford et al.	
D474,941 S *	5/2003	Wellner	D7/585	D576,358 S	9/2008	Rutherford	
D475,816 S	6/2003	Adamson		D576,448 S	9/2008	Harris	
D476,195 S *	6/2003	Wellner	D7/585	D578,714 S	10/2008	Rutherford	
D476,808 S	7/2003	Carr		D580,109 S	11/2008	Rutherford et al.	
D477,171 S	7/2003	Gabbour		D580,112 S	11/2008	Stiles	
D477,441 S	7/2003	Willinger et al.		D581,604 S	11/2008	Ragonetti et al.	
D477,691 S	7/2003	Crowley		D586,976 S	2/2009	Lundwall	
D478,252 S *	8/2003	Wellner	D7/584	D587,862 S	3/2009	Rutherford	
D478,466 S	8/2003	Henry et al.		D590,109 S	4/2009	Anderson et al.	
D478,475 S *	8/2003	Backes et al.	D7/545	D591,590 S *	5/2009	Wilson et al.	D9/428
D478,947 S	8/2003	Lu		7,527,018 B2	5/2009	Manley-Hood	
D481,867 S	11/2003	Hotz		D593,364 S	6/2009	Harris	
6,651,590 B2	11/2003	Willinger et al.		D600,861 S	9/2009	Sin	
D484,750 S *	1/2004	Ayers et al.	D7/586	D600,862 S	9/2009	Sin	
D485,126 S *	1/2004	Watson	D7/584	D603,106 S	10/2009	Ragonetti et al.	
D485,208 S	1/2004	Fan		7,600,486 B2	10/2009	Ellis	
D485,784 S	1/2004	Fan		D610,215 S	2/2010	Wechsler	
D486,992 S	2/2004	Henry et al.		D620,207 S	7/2010	Byrne	
6,688,258 B1	2/2004	Kolesar		D621,103 S	8/2010	Kim	
D487,327 S	3/2004	Andersen et al.		D626,705 S	11/2010	Rutherford	
6,705,249 B2	3/2004	Quinlan et al.		7,849,817 B1	12/2010	Warganich	
D489,494 S	5/2004	Silverglate		7,856,944 B1	12/2010	Stauffer	
D490,577 S	5/2004	Steinbacher et al.		D630,897 S *	1/2011	Jarvis et al.	D7/407
6,739,287 B1	5/2004	Sarantis		D631,636 S	2/2011	Hague	
D490,745 S	6/2004	Fan		D632,455 S	2/2011	School	
D490,965 S	6/2004	Lawrenson		D632,527 S *	2/2011	Olivari et al.	D7/587
D491,321 S	6/2004	Wolf		D634,486 S	3/2011	Graham-Cretcher	
D491,322 S	6/2004	Wolf		D636,944 S	4/2011	Anderson et al.	
D494,818 S *	8/2004	Jalet et al.	D7/584	D636,945 S	4/2011	Anderson et al.	
D496,141 S	9/2004	Tepper et al.		D641,211 S *	7/2011	Olivari et al.	D7/587
D496,518 S	9/2004	Tepper et al.		D645,705 S *	9/2011	Shamoon	D7/543
6,786,177 B1	9/2004	Lemkin		D648,976 S *	11/2011	Thurlow	D7/354
D497,287 S *	10/2004	Glander et al.	D7/565	D657,626 S *	4/2012	Morga et al.	D7/505
D497,457 S	10/2004	Willinger		2002/0017056 A1	2/2002	Fan	
D498,955 S	11/2004	Edwards et al.		2002/0017759 A1	2/2002	McClung, III et al.	
D502,058 S *	2/2005	Stilz	D7/554.2	2002/0162511 A1	11/2002	Hollinger	
D504,196 S	4/2005	Huthmaker et al.		2002/0185073 A1	12/2002	Fullerton et al.	

2003/0033986 A1 2/2003 Brown
 2003/0098310 A1 5/2003 McGee
 2003/0192480 A1 10/2003 Bennett
 2004/0231607 A1 11/2004 Hollinger
 2004/0244703 A1 12/2004 Lehman
 2005/0039689 A1 2/2005 Mossmer
 2005/0039690 A1 2/2005 Sage, Jr.
 2005/0115508 A1 6/2005 Little
 2006/0005774 A1 1/2006 Newman Bornhofen
 2006/0068952 A1 3/2006 Davignon, II
 2006/0213447 A1 9/2006 Kitchen et al.
 2007/0022964 A1 2/2007 Reusche et al.
 2007/0089678 A1 4/2007 Greenwood
 2007/0144447 A1 6/2007 Dana et al.
 2008/0022937 A1 1/2008 Shirley et al.
 2008/0029045 A1 2/2008 Willinger
 2008/0053374 A1 3/2008 Kerrigan et al.
 2008/0072829 A1 3/2008 Kerrigan et al.
 2008/0141945 A1 6/2008 Markham
 2009/0126641 A1 5/2009 Anderson et al.
 2009/0151649 A1 6/2009 Vardy et al.
 2010/0012042 A1 1/2010 Lee
 2010/0077963 A1 4/2010 Lipscomb et al.
 2010/0275852 A1 11/2010 Lipscomb et al.
 2011/0253054 A1 10/2011 Hargrove

FOREIGN PATENT DOCUMENTS

GB	2 410 409	8/2005
GB	2 440 500	2/2008
NL	7810061	4/1979
NL	1012335	12/2000
WO	02/094123 A3	11/2002
WO	02/094125 A3	11/2002

OTHER PUBLICATIONS

United States Office Action dated Mar. 11, 2004, from corresponding U.S. Appl. No. 29/173,764, now U.S. Patent D497,457.
 Sternco; Delta Products catalog; Jul. 6, 1971, p. 11; #157—Dumbell (Scented) Rubber Toy.
 United States Office Action dated Oct. 12, 2011, from corresponding U.S. Appl. No. 29/388,393.
 Notice of Allowance with Notice of References Cited dated Dec. 29, 2011, from corresponding U.S. Appl. No. 29/388,393.
 Petstages Healthy Portion Dog Bowl, 2005.

* cited by examiner

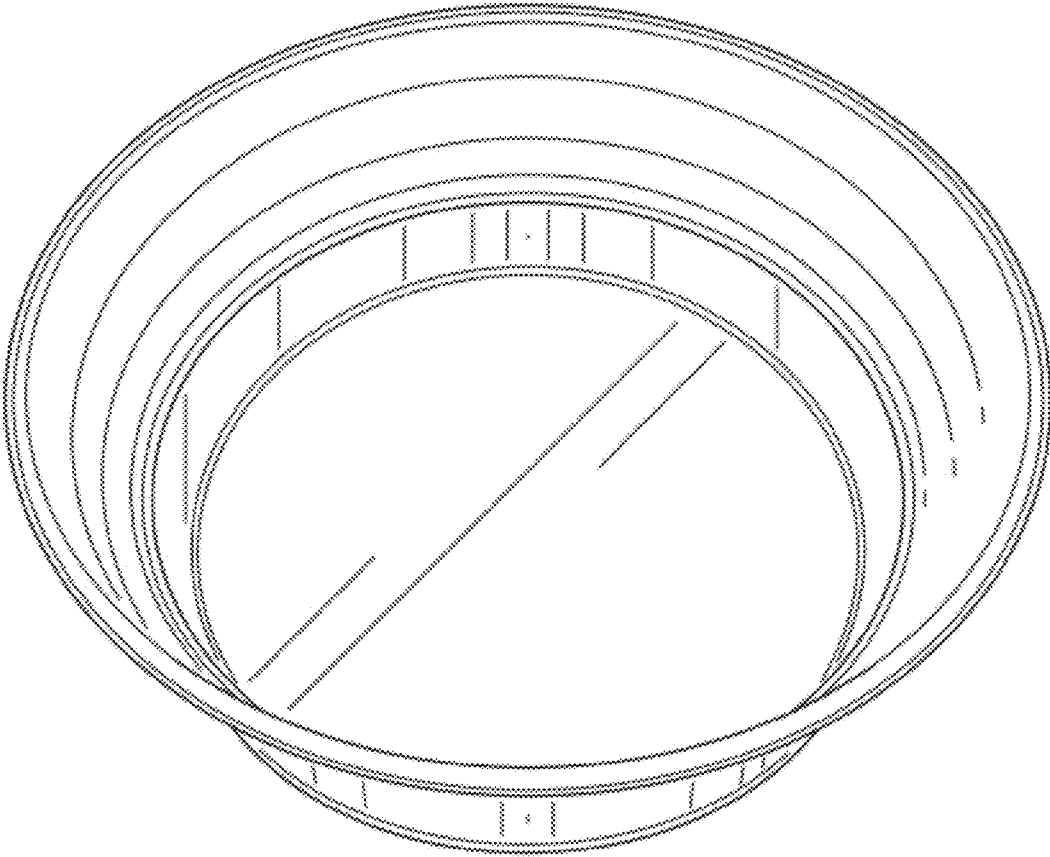


FIG. 1

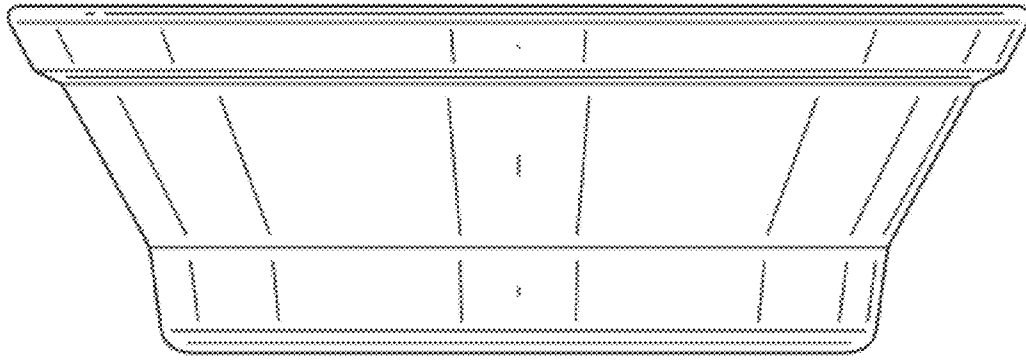


FIG. 2

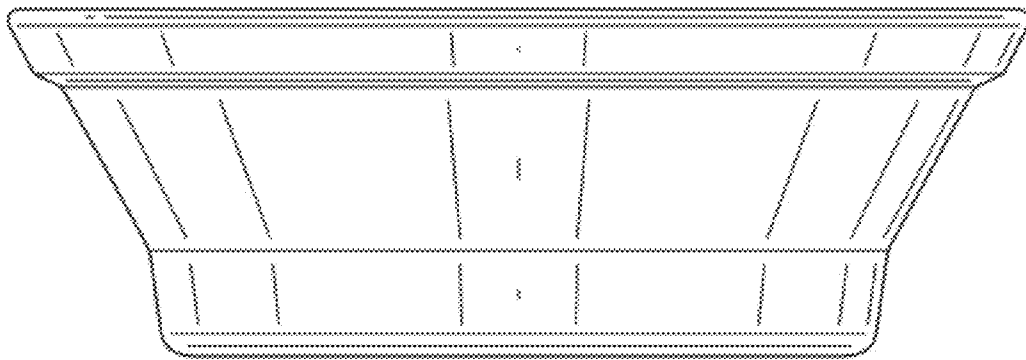


FIG. 3

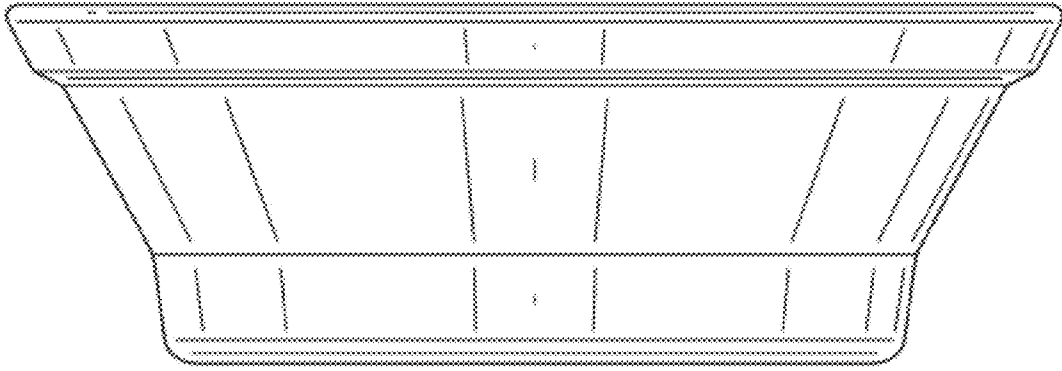


FIG. 4

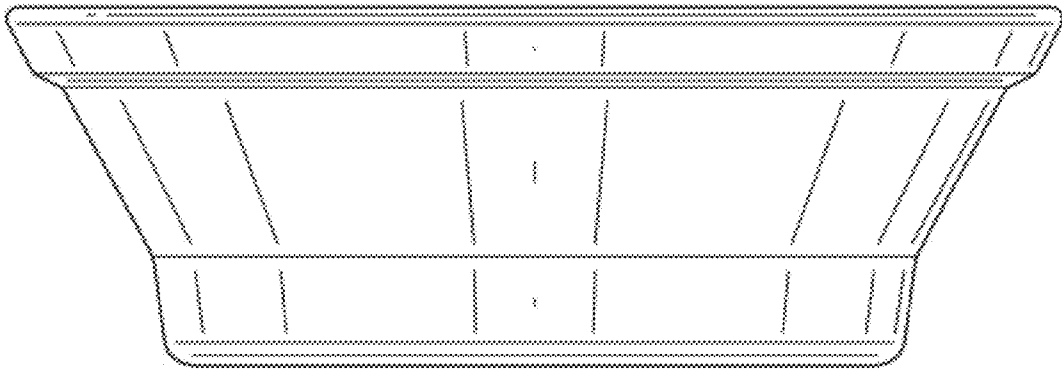


FIG. 5

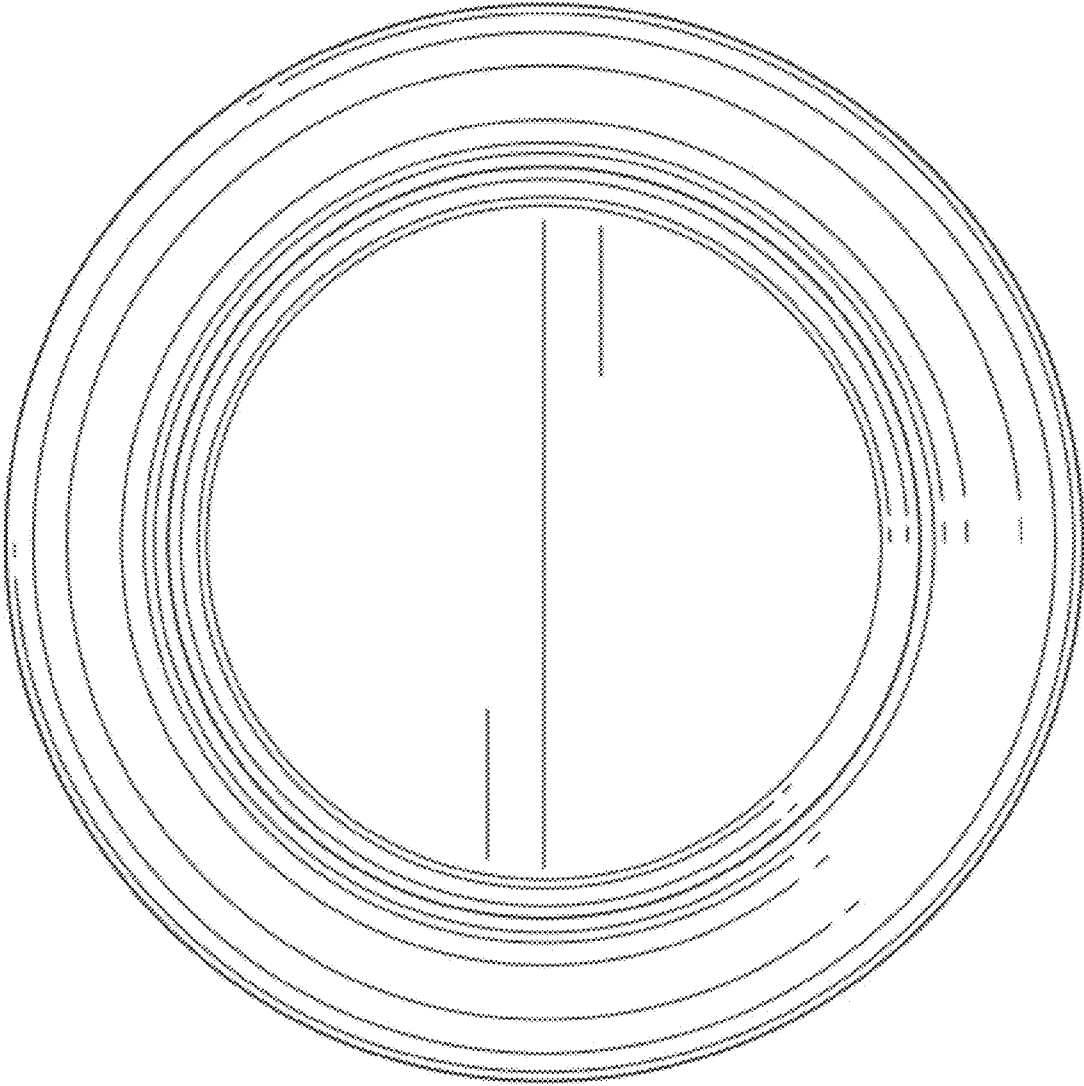


FIG. 6

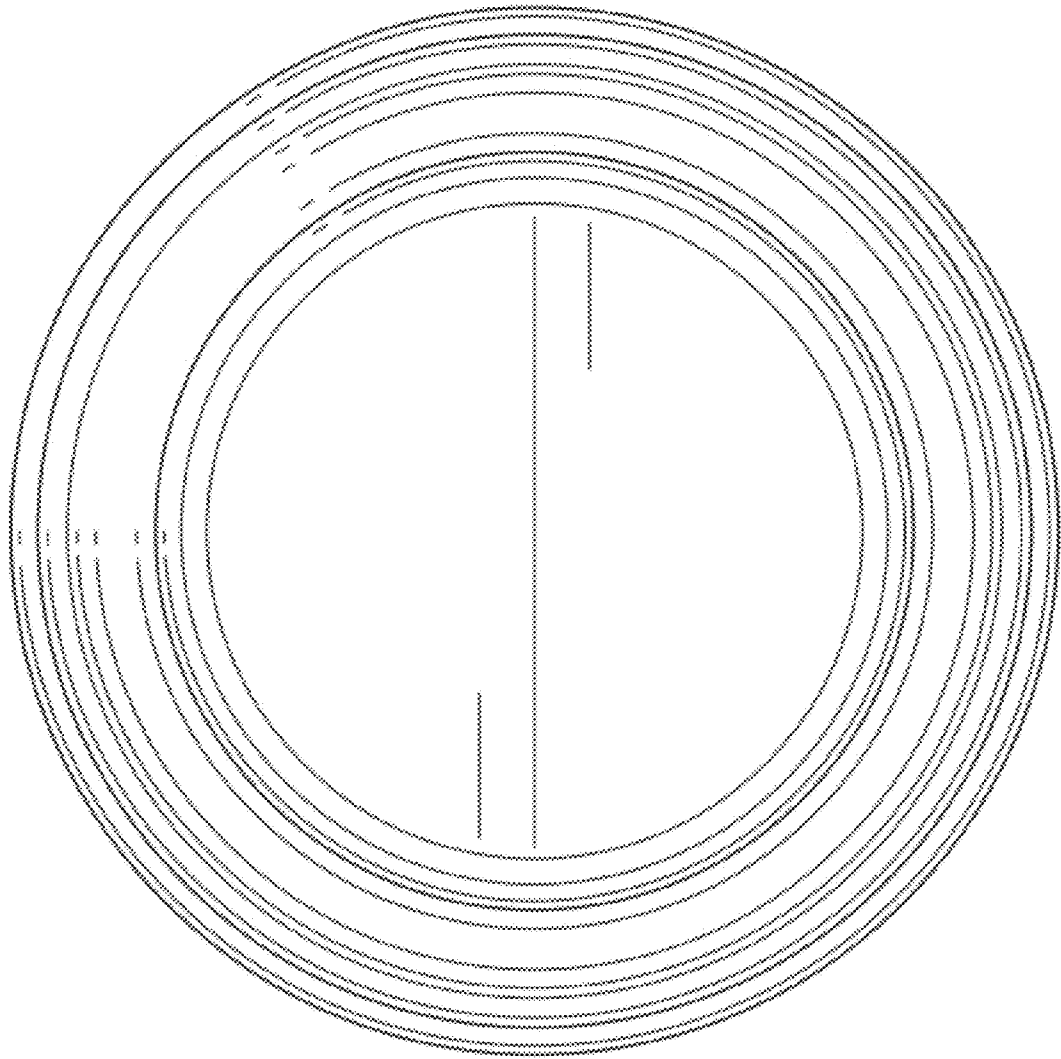


FIG. 7