



US00D995294S

(12) **United States Design Patent**
Owens et al.

(10) **Patent No.:** **US D995,294 S**

(45) **Date of Patent:** **** Aug. 15, 2023**

(54) **PRODUCT TRANSPORT CONTAINER**

(71) Applicant: **VESTURE LLC**, Charlotte, NC (US)

(72) Inventors: **Byron C. Owens**, Asheboro, NC (US);
Glinda Goodson, Asheboro, NC (US)

(73) Assignee: **VESTURE LLC**, Asheboro, NC (US)

(**) Term: **15 Years**

(21) Appl. No.: **29/733,213**

(22) Filed: **Apr. 30, 2020**

(51) **LOC (14) Cl.** **07-10**

(52) **U.S. Cl.**
USPC **D7/607**

(58) **Field of Classification Search**
USPC D9/414, 431, 432, 433, 702, 703, 705,
D9/720, 721; D3/201, 232, 233, 245,
(Continued)

(56) **References Cited**

U.S. PATENT DOCUMENTS

D289,597 S * 5/1987 Averitt D7/605
4,806,736 A * 2/1989 Schirico A47J 47/145
219/521

(Continued)

FOREIGN PATENT DOCUMENTS

CN 306275789 * 1/2021

OTHER PUBLICATIONS

Rubbermaid Insulated Pizza Delivery Bag, posted at Amazon.com on Sep. 14, 2004, [site visited Dec. 15, 2022]. Available from internet, URL: <<https://www.amazon.com/Rubbermaid-Commercial-PROSERVE-Delivery-FG9F3700RED/dp/B0050D7FFU/>> (Year: 2004).*

(Continued)

Primary Examiner — Andrew Kerr

Assistant Examiner — Chariton Alexakis

(74) *Attorney, Agent, or Firm* — Tillman Wright, PLLC;
Chad D. Tillman

(57) **CLAIM**

The ornamental design for a product transport container, as shown and described.

DESCRIPTION

FIG. 1 is a front perspective view of a product transport container showing the new design;

FIG. 2 is a front elevational view thereof;

FIG. 3 is a rear elevational view thereof;

FIG. 4 is a first side elevational view thereof;

FIG. 5 is a second side elevational view thereof;

FIG. 6 is a top plan view thereof;

FIG. 7 is a bottom plan view thereof;

FIG. 8 is a front perspective view thereof, in a condition of use;

FIG. 9 is a front elevational view thereof;

FIG. 10 is a rear elevational view thereof;

FIG. 11 is a first side elevational view thereof;

FIG. 12 is a second side elevational view thereof;

FIG. 13 is a top plan view thereof;

FIG. 14 is a bottom plan view thereof;

FIG. 15 is a front perspective view thereof, in another condition of use;

FIG. 16 is a front elevational view thereof;

FIG. 17 is a rear elevational view thereof;

FIG. 18 is a first side elevational view thereof;

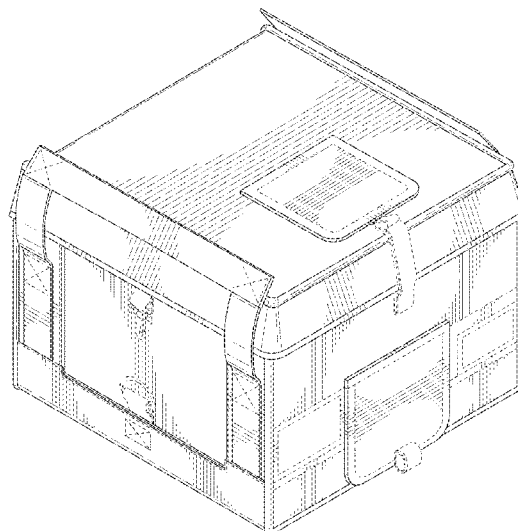
FIG. 19 is a second side elevational view thereof;

FIG. 20 is a top plan view thereof; and,

FIG. 21 is a bottom plan view thereof.

The dashed broken lines outlining shaded areas in the drawings are indicative of stitching design features, and the dashed broken lines that do not outline shaded areas in the drawings depict portions of the product transport container that form no part of the claimed design.

1 Claim, 21 Drawing Sheets



US D995,294 S

(58) **Field of Classification Search**

USPC D3/273, 278, 290, 299, 303, 324, 325,
 D3/326, 328; D7/601, 602, 605, 606,
 D7/607, 629, 701, 703, 706, 709, 710
 CPC A45C 1/00; A45C 3/00; A45C 7/00; A45C
 7/0027; A45C 7/0059; A45C 7/0077;
 A45C 11/20; B65D 1/22; B65D 81/38;
 B65D 81/3813; B65D 81/386; B65D
 81/3862

See application file for complete search history.

(56) **References Cited**

U.S. PATENT DOCUMENTS

D328,550 S * 8/1992 Mogil D7/605
 D355,568 S * 2/1995 Paulin D7/607
 D382,771 S * 8/1997 Mogil D7/607
 D387,626 S * 12/1997 Melk D7/605
 6,018,143 A * 1/2000 Check A47J 47/145
 219/549
 6,238,091 B1 * 5/2001 Mogil A45C 13/02
 383/110
 6,390,345 B1 * 5/2002 Brown A45C 3/00
 190/110
 D465,134 S * 11/2002 Joss D3/289

D492,160 S * 6/2004 Lanman D7/605
 D526,484 S * 8/2006 Flint D3/283
 D536,580 S * 2/2007 Krieger D7/605
 7,316,313 B1 * 1/2008 Juchau B65D 81/3476
 206/315.1
 D722,233 S * 2/2015 Inskeep D3/315
 D762,978 S * 8/2016 Boroski D3/283
 D817,106 S * 5/2018 Larson D7/607
 D881,655 S * 4/2020 Jacobsen D7/607
 D929,191 S * 8/2021 Rogers D7/607
 D957,199 S * 7/2022 Owens D7/605
 D966,822 S * 10/2022 Yagi D7/607
 11,523,665 B2 * 12/2022 Africa A45C 7/009
 2016/0150917 A1 * 6/2016 Volke A47J 47/145
 206/541
 2019/0170422 A1 * 6/2019 Dexter F25D 31/002
 2023/0085050 A1 * 3/2023 Callinan F25D 3/08
 220/592.03

OTHER PUBLICATIONS

IceMi Insulated Food Delivery Bag, posted at Amazon.com on Oct. 29, 2021, [site visited Dec. 15, 2022]. Available from internet, URL: <<https://www.amazon.com/iceMi-Insulated-Delivery-Reused-Outdoor/dp/B09KN72Y17/>> (Year: 2021).*

* cited by examiner

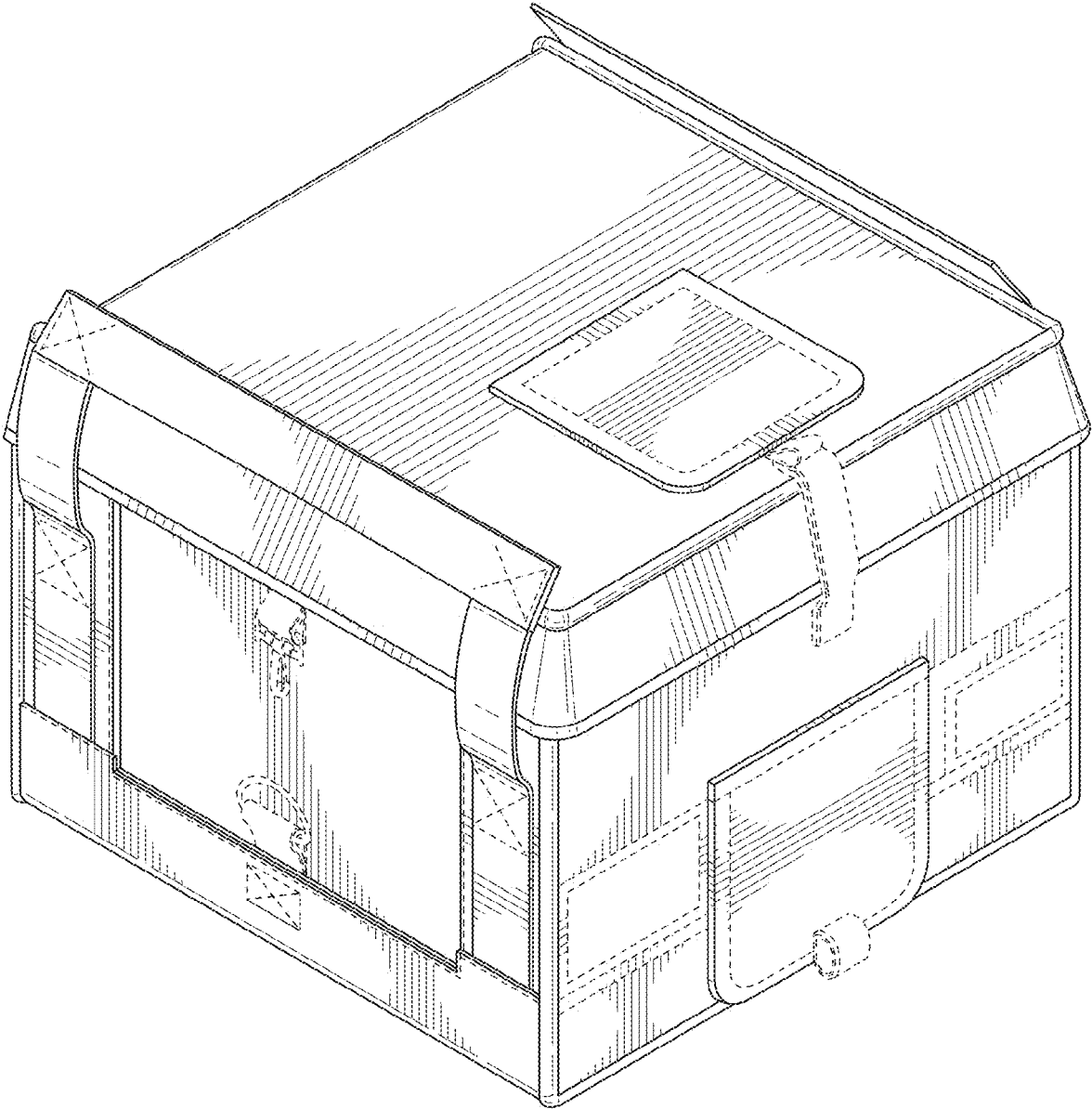


FIG. 1

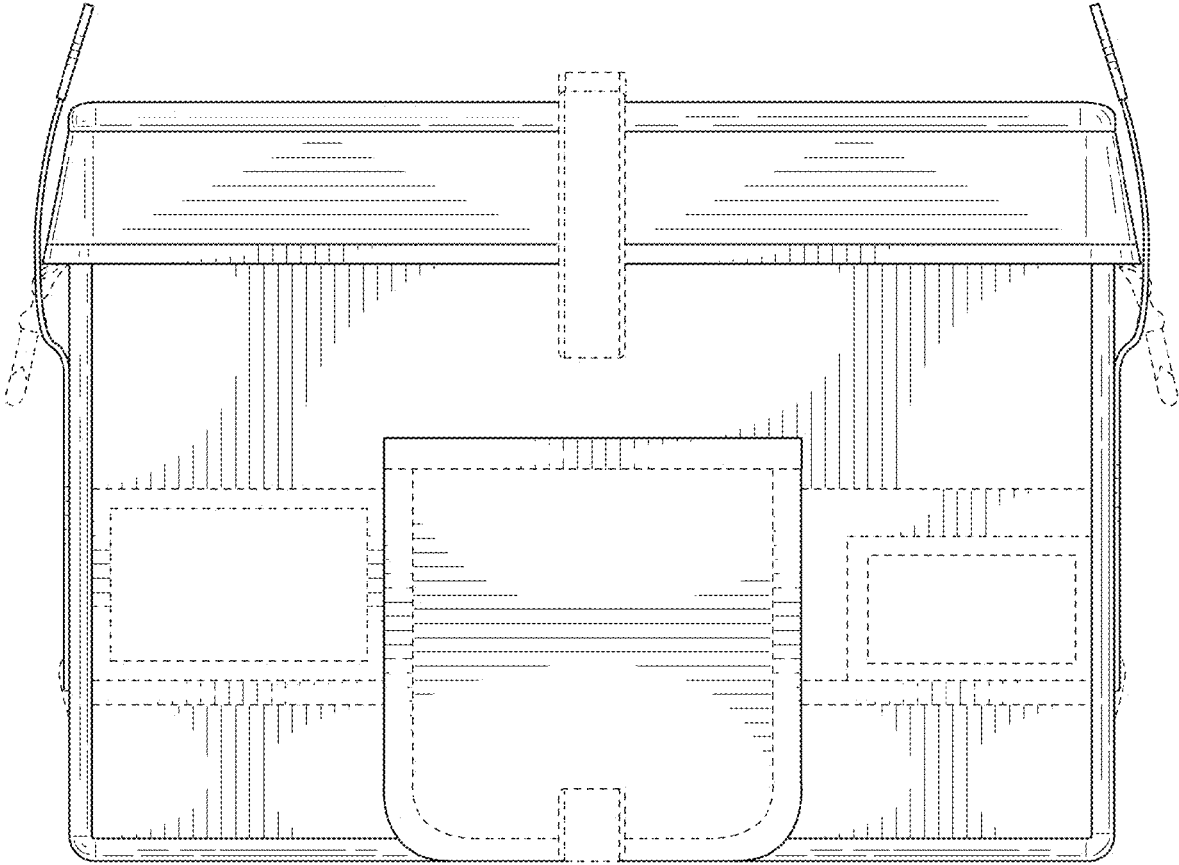


FIG. 2

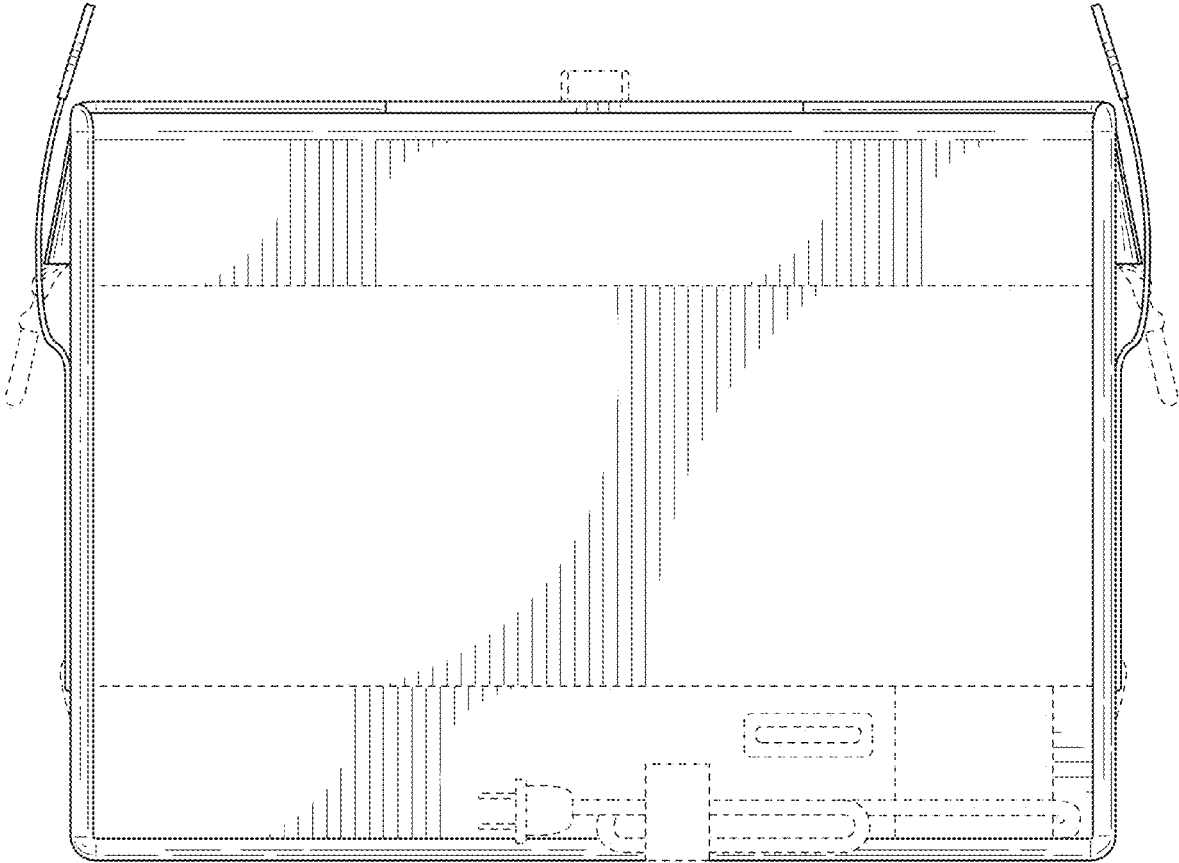


FIG. 3

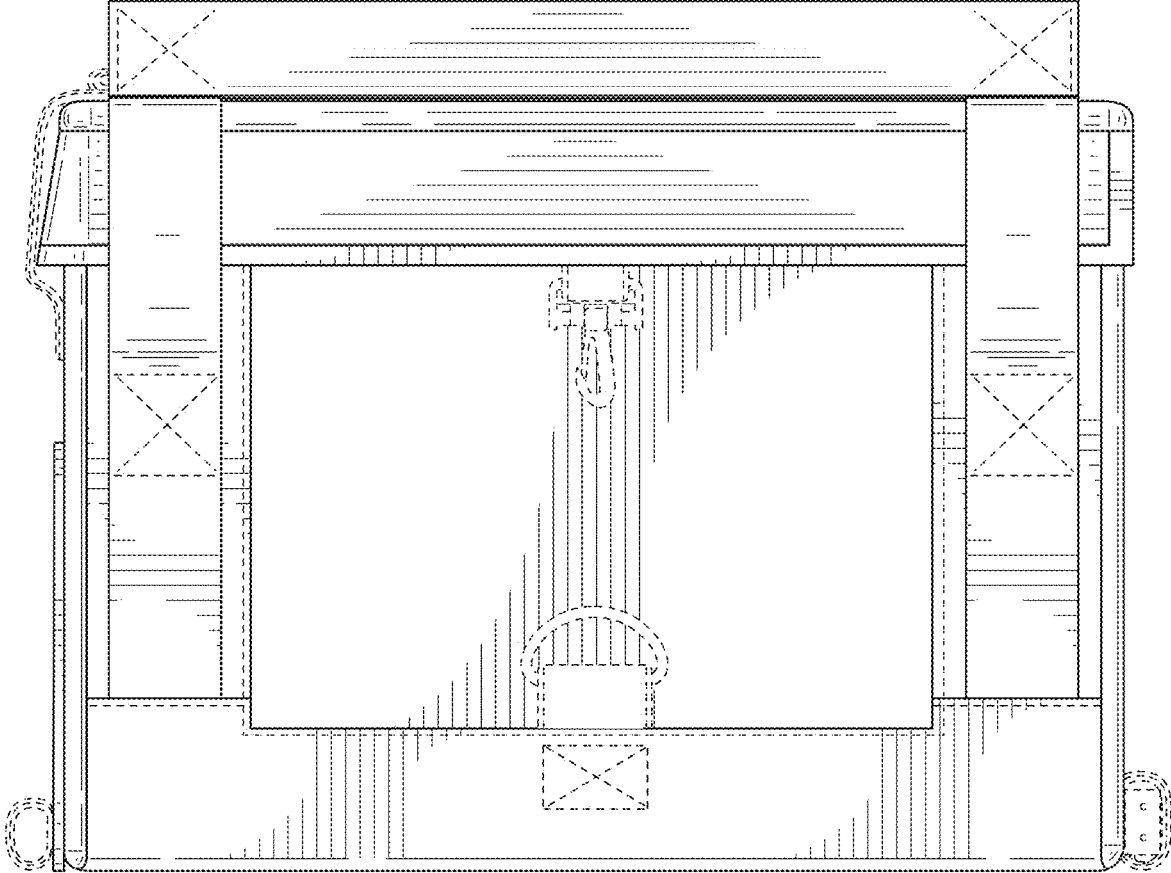


FIG. 4

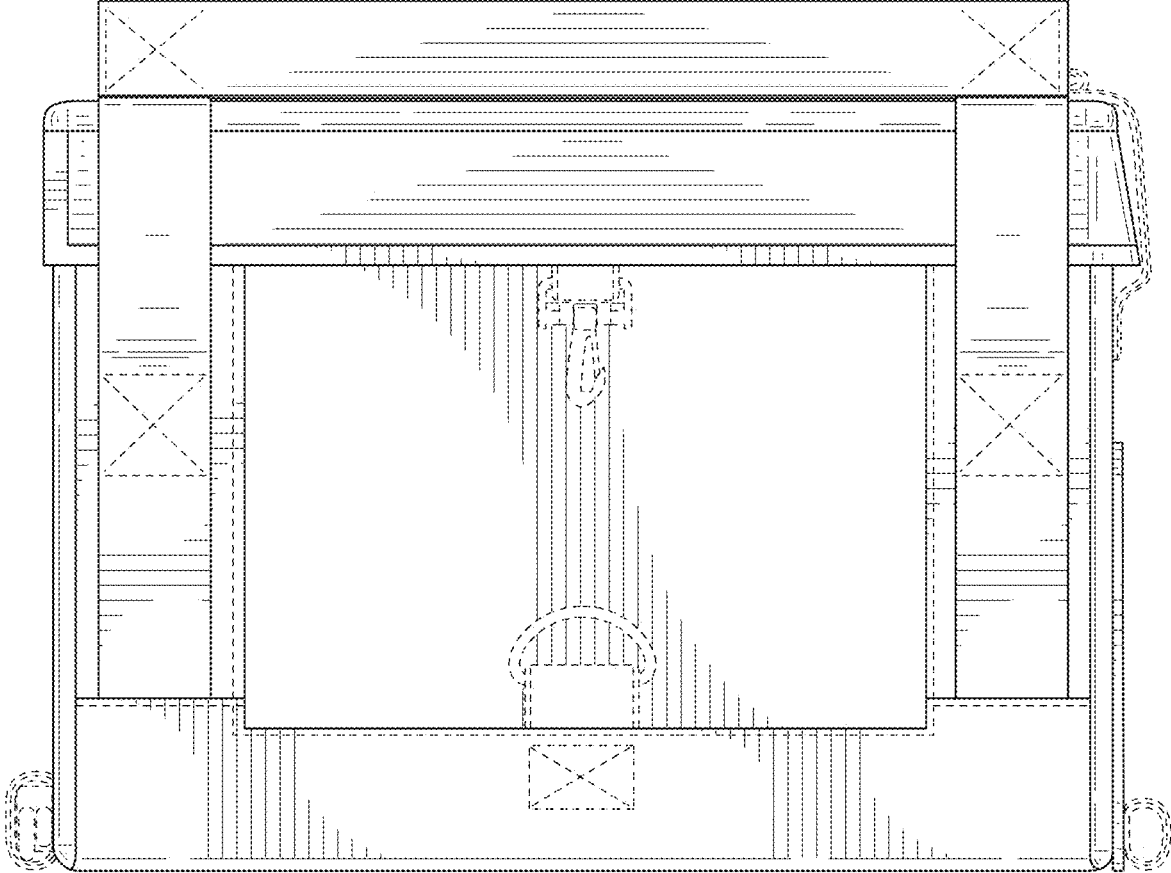


FIG. 5

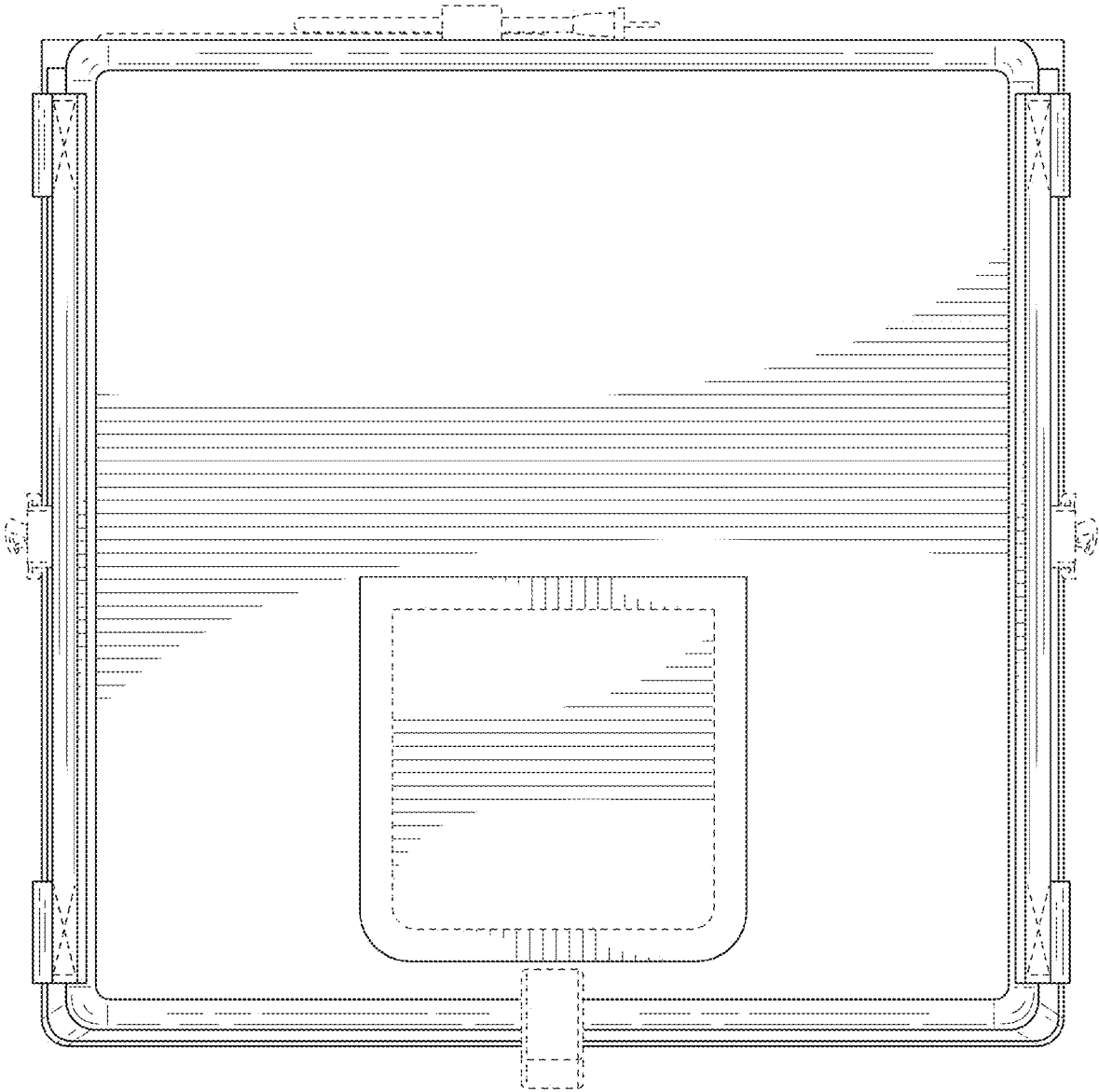


FIG. 6

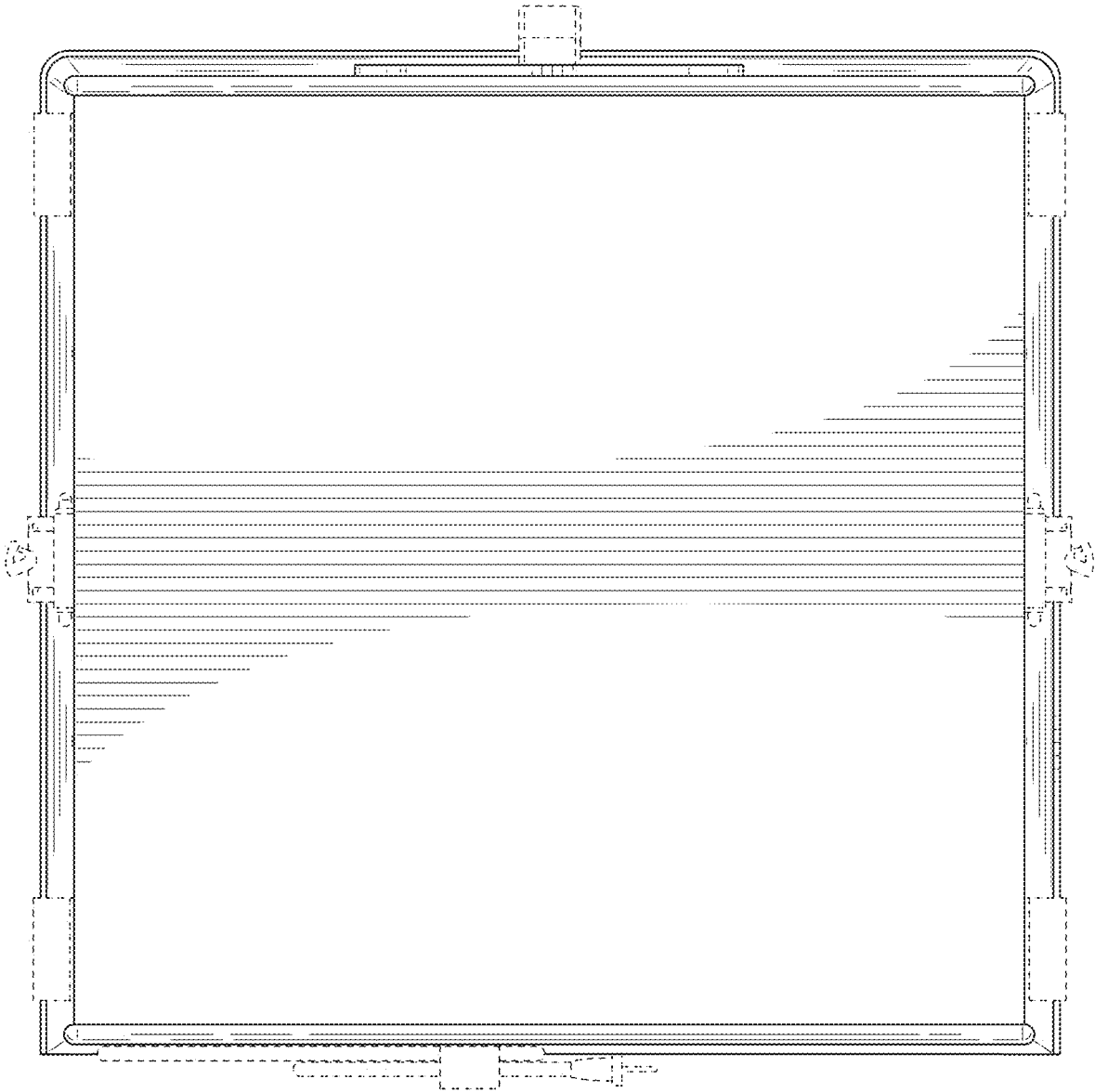


FIG. 7

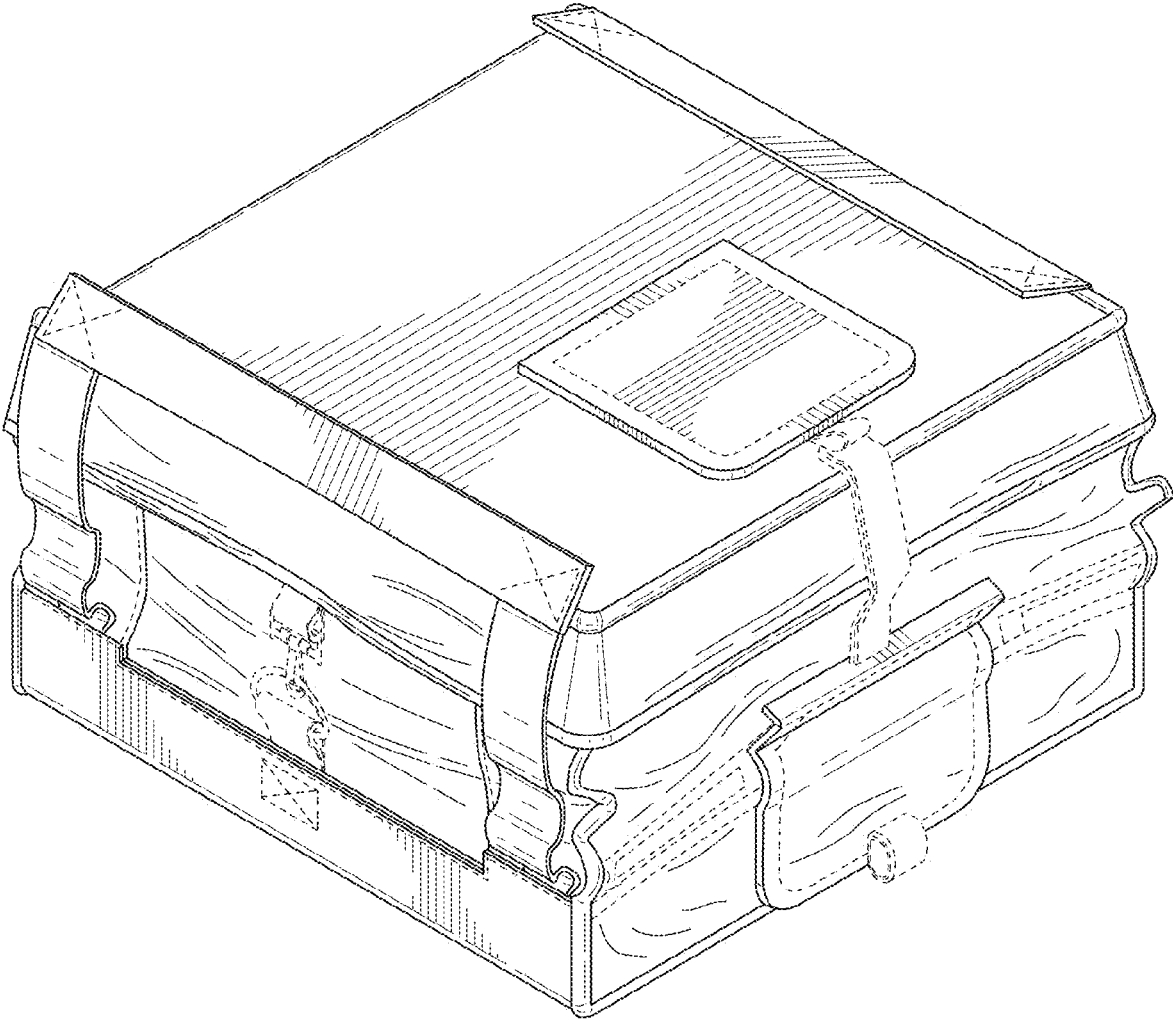


FIG.8

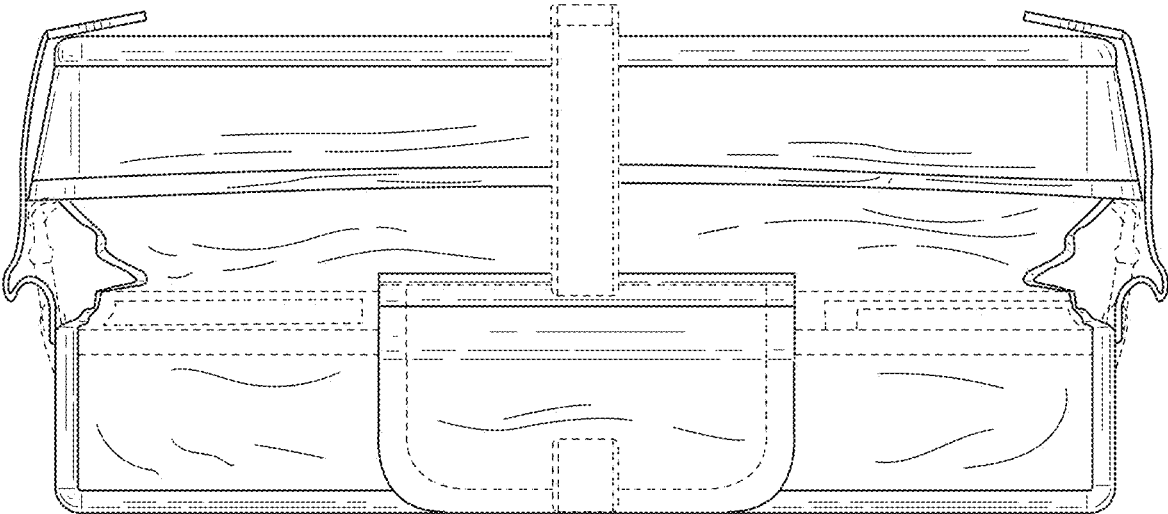


FIG.9

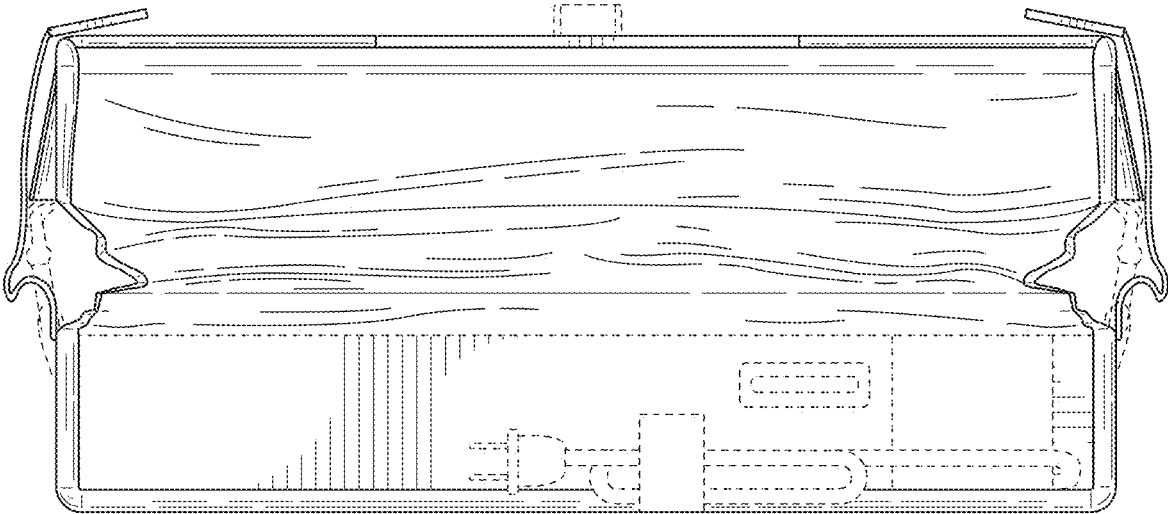


FIG.10

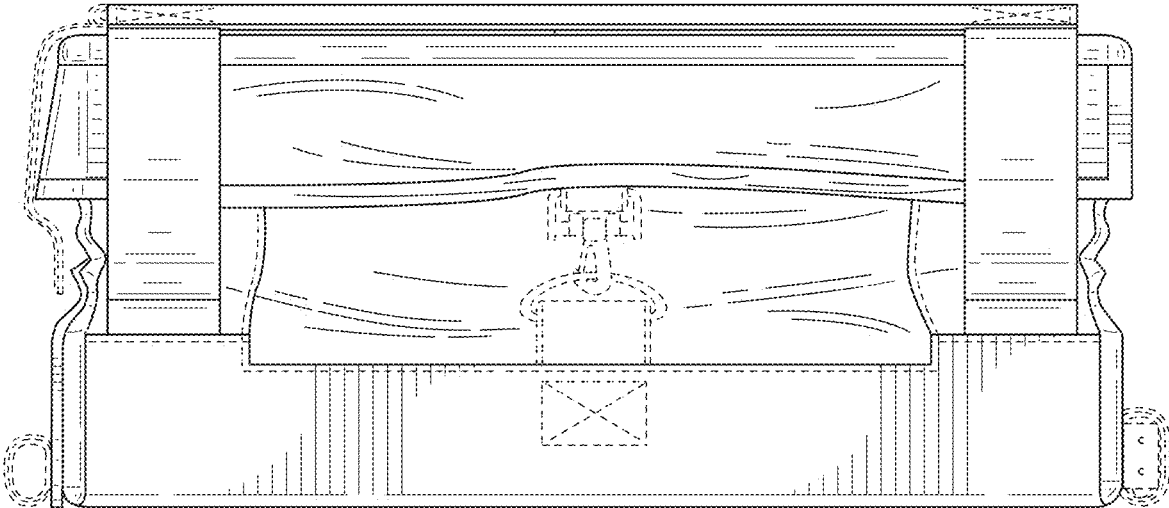


FIG.11

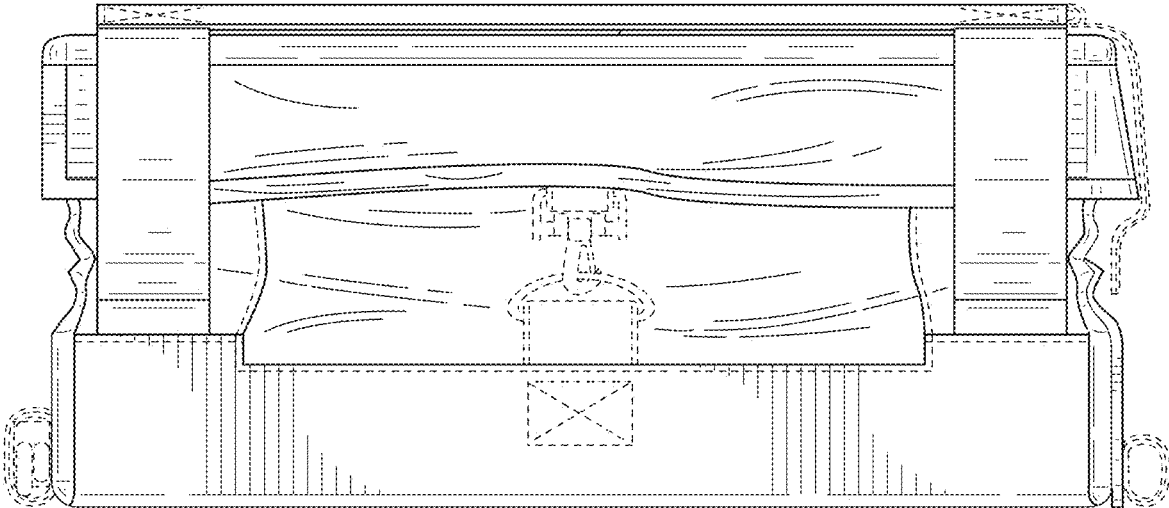


FIG.12

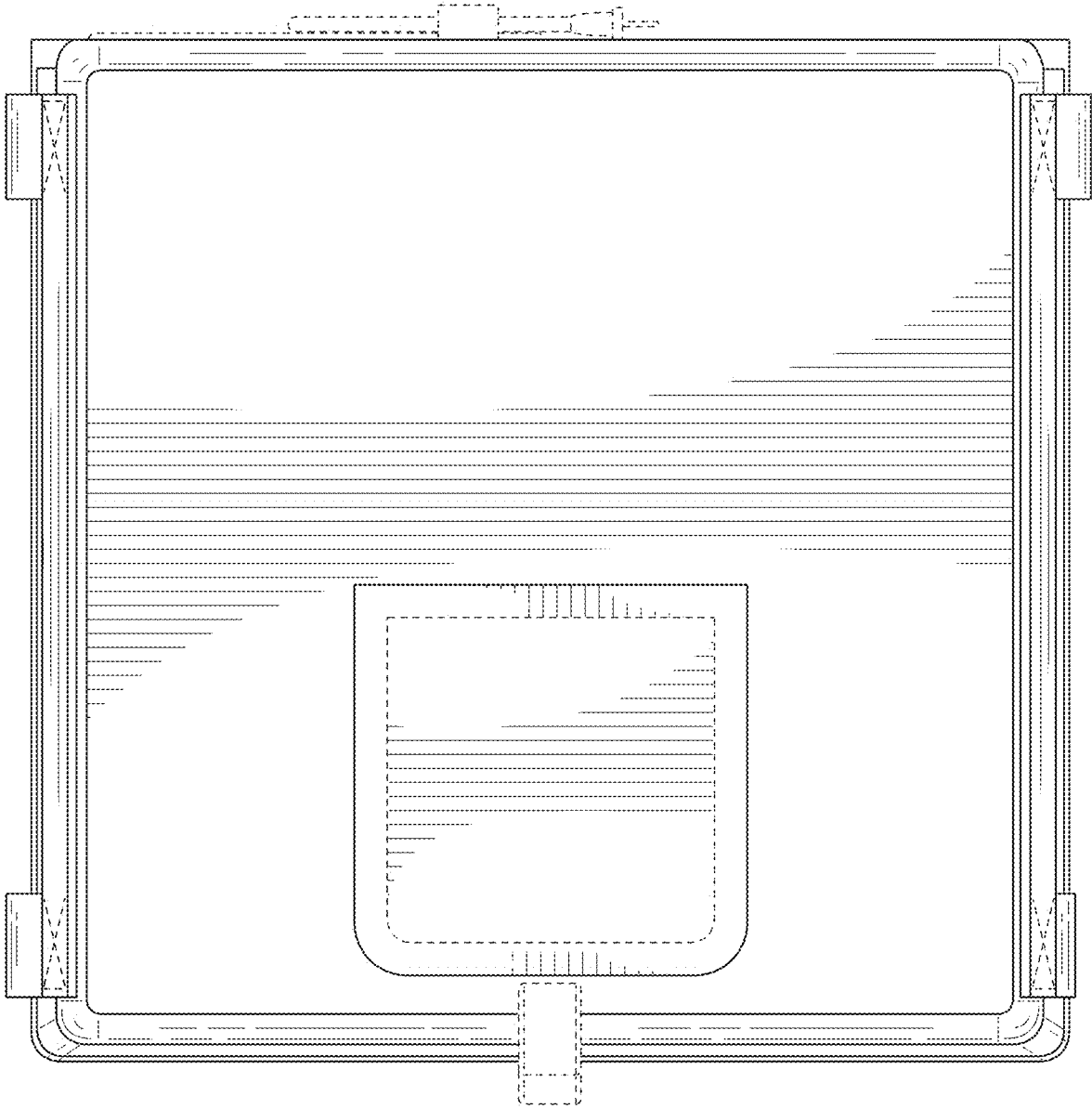


FIG. 13

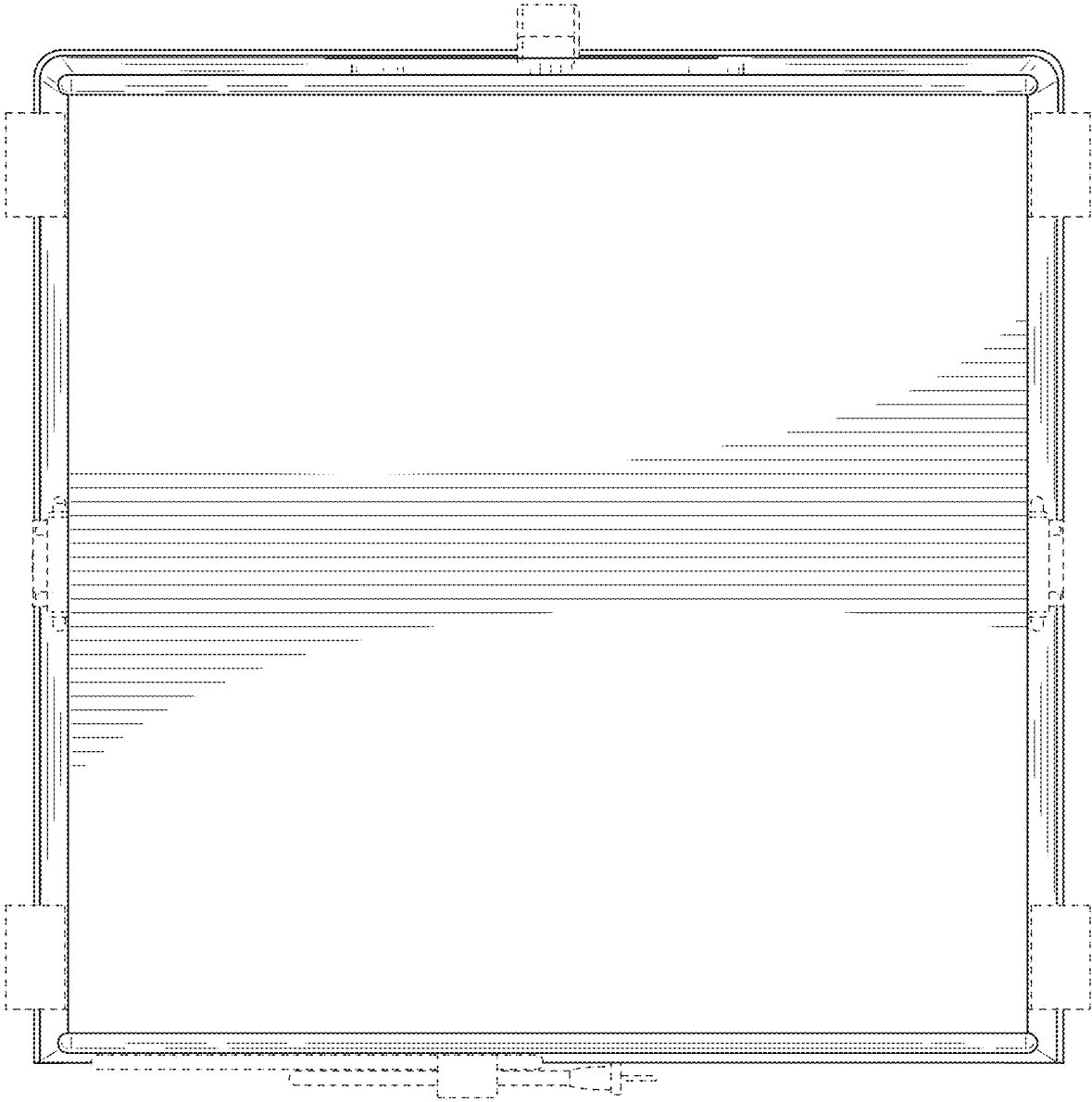


FIG. 14

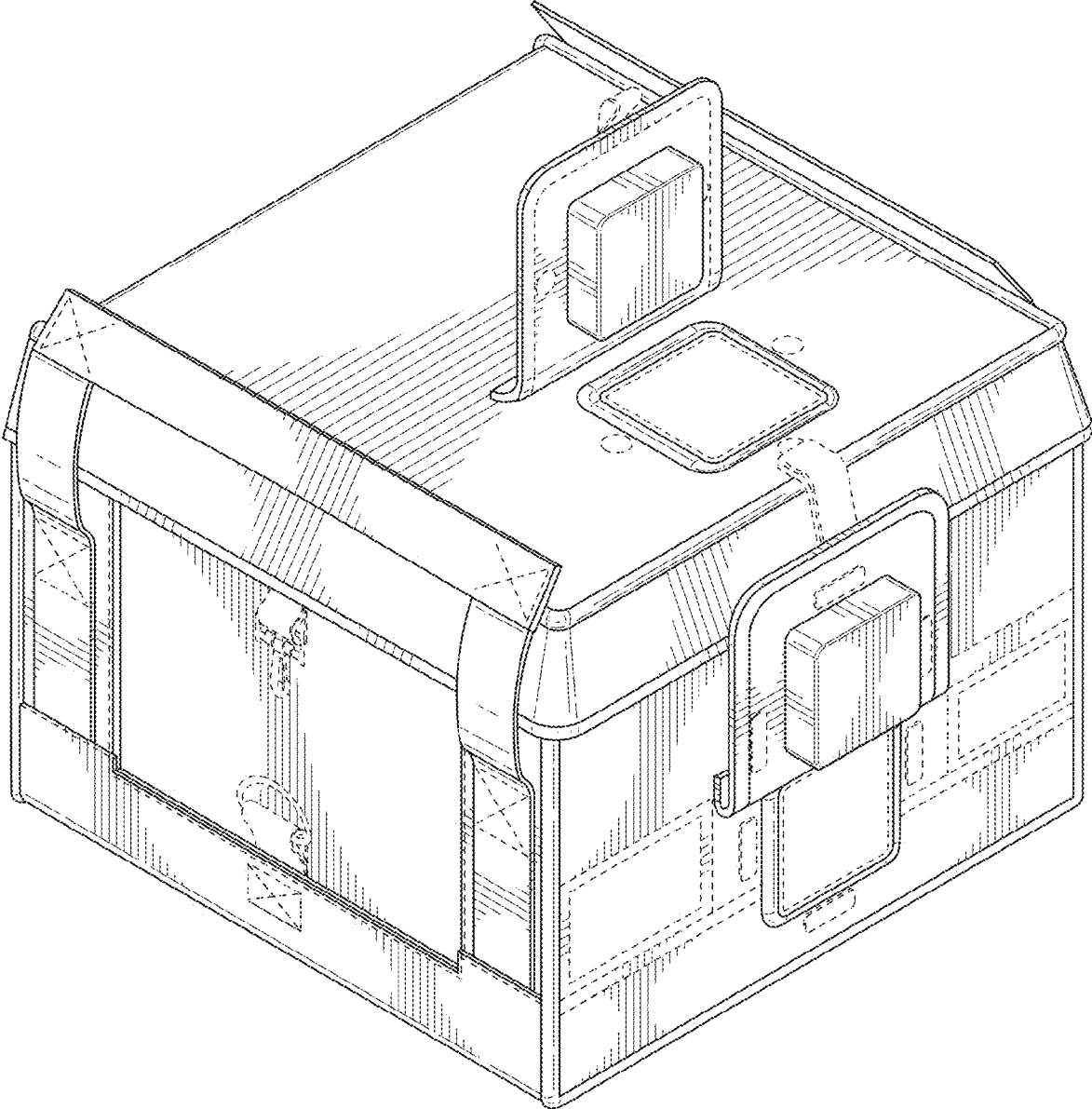


FIG. 15

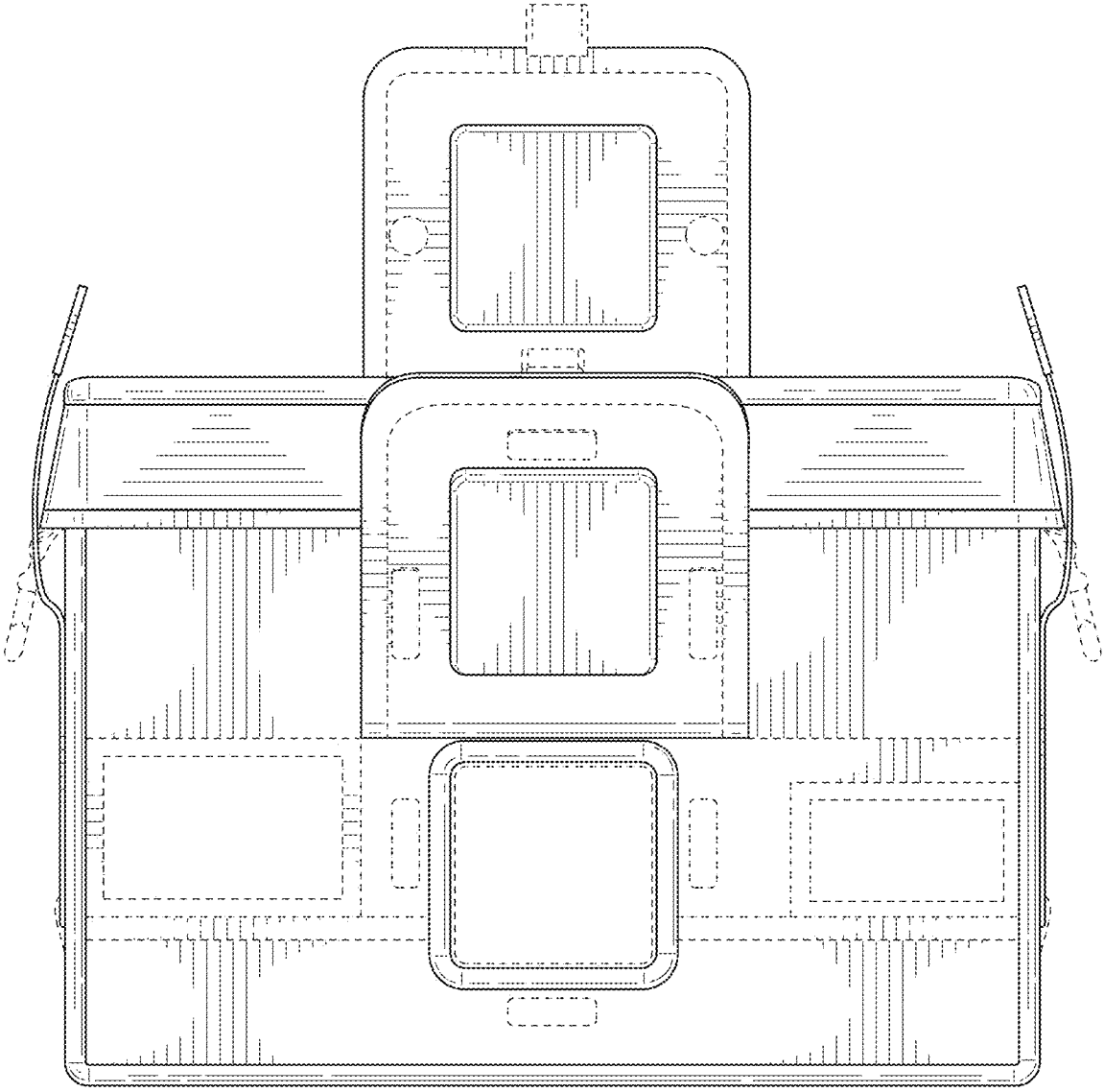


FIG. 16

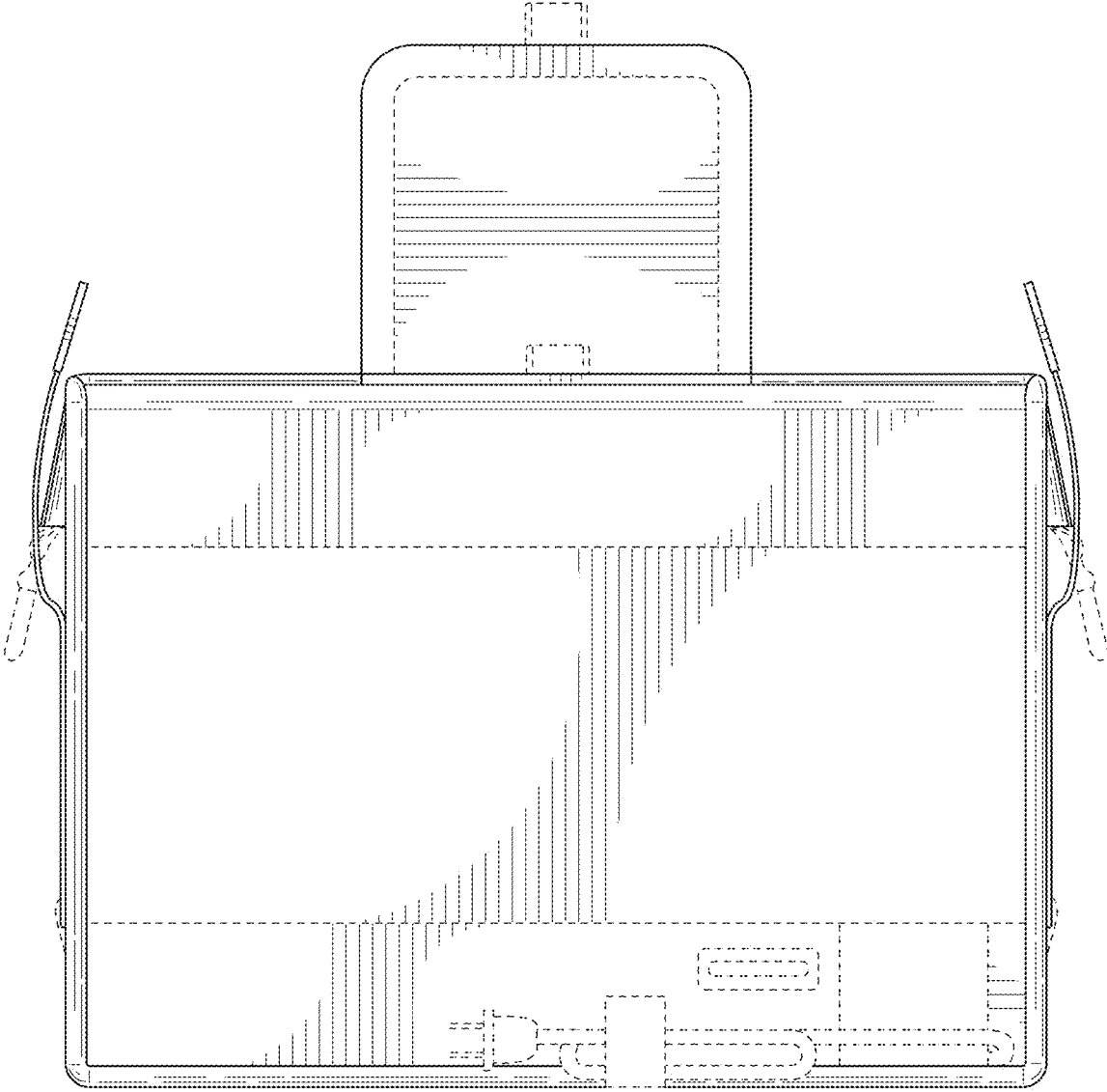


FIG. 17

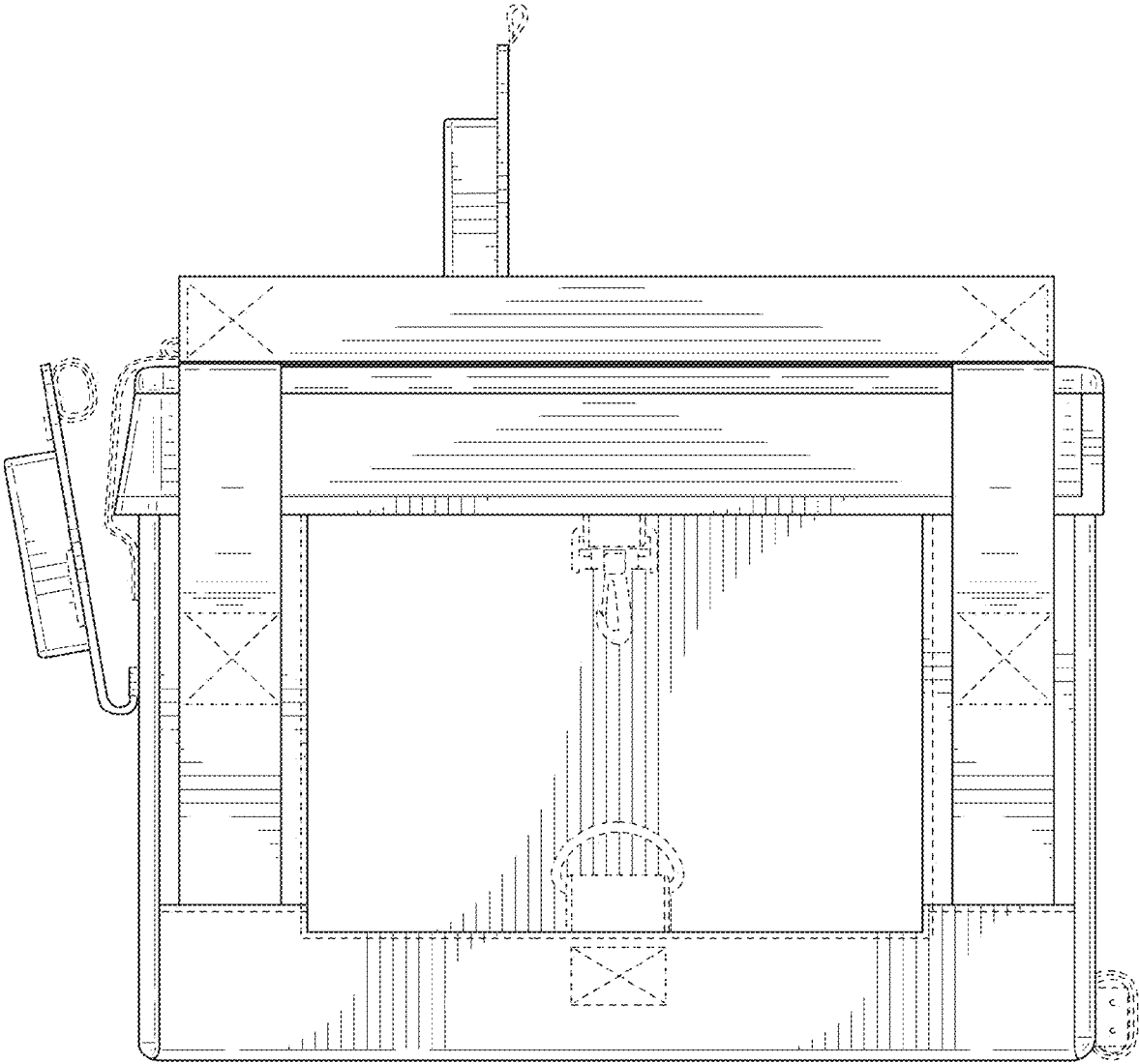


FIG. 18

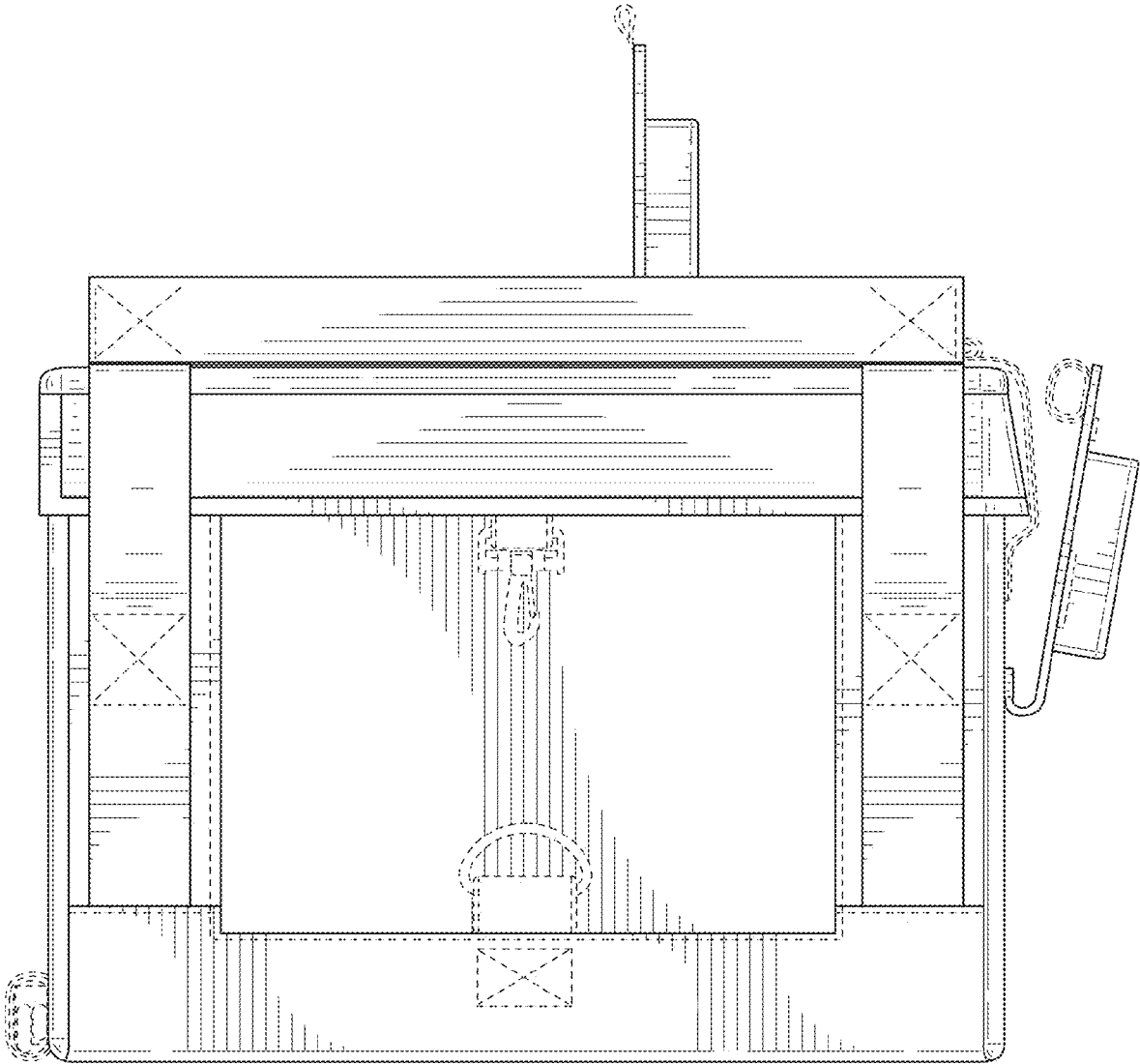


FIG. 19

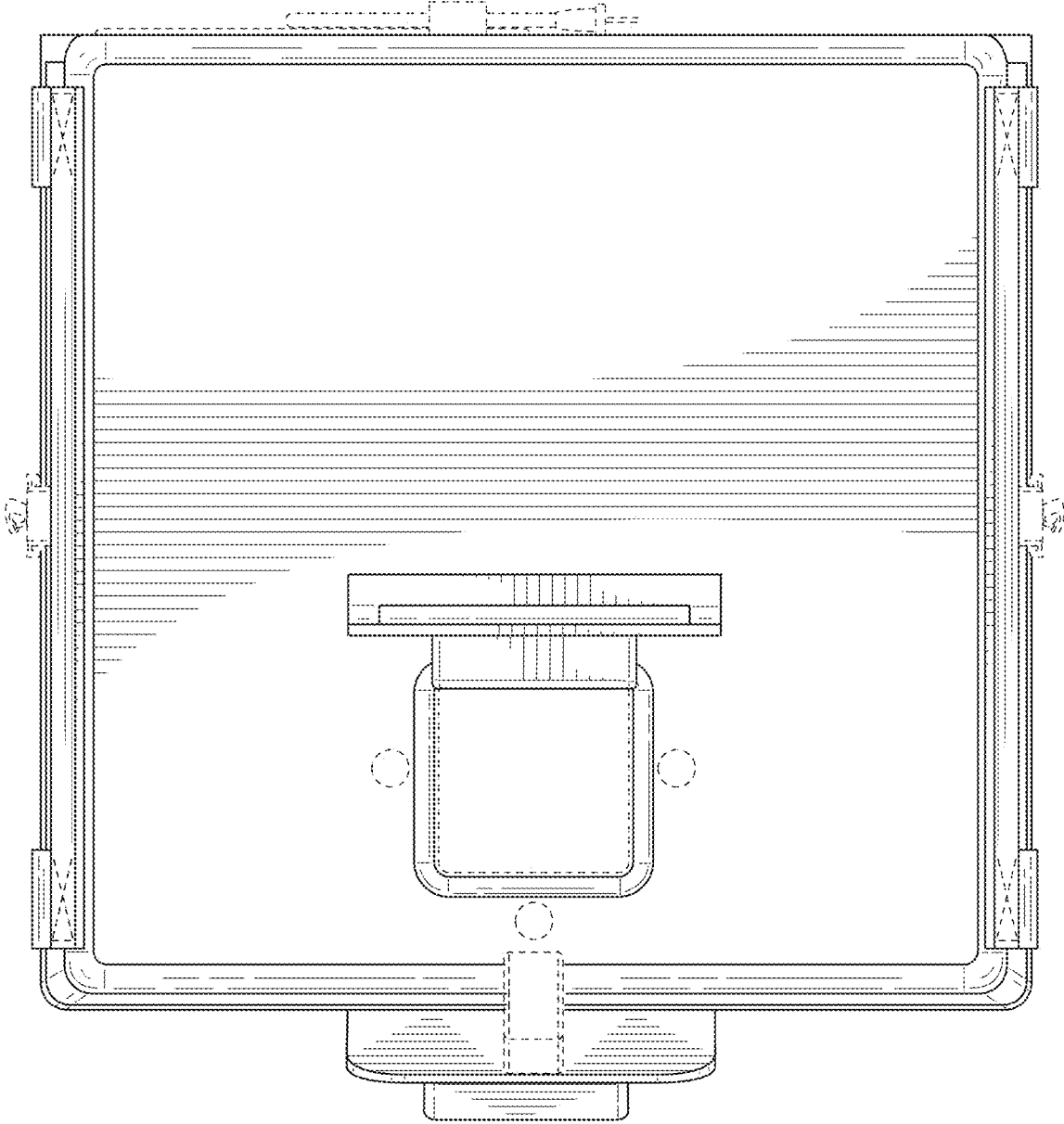


FIG. 20

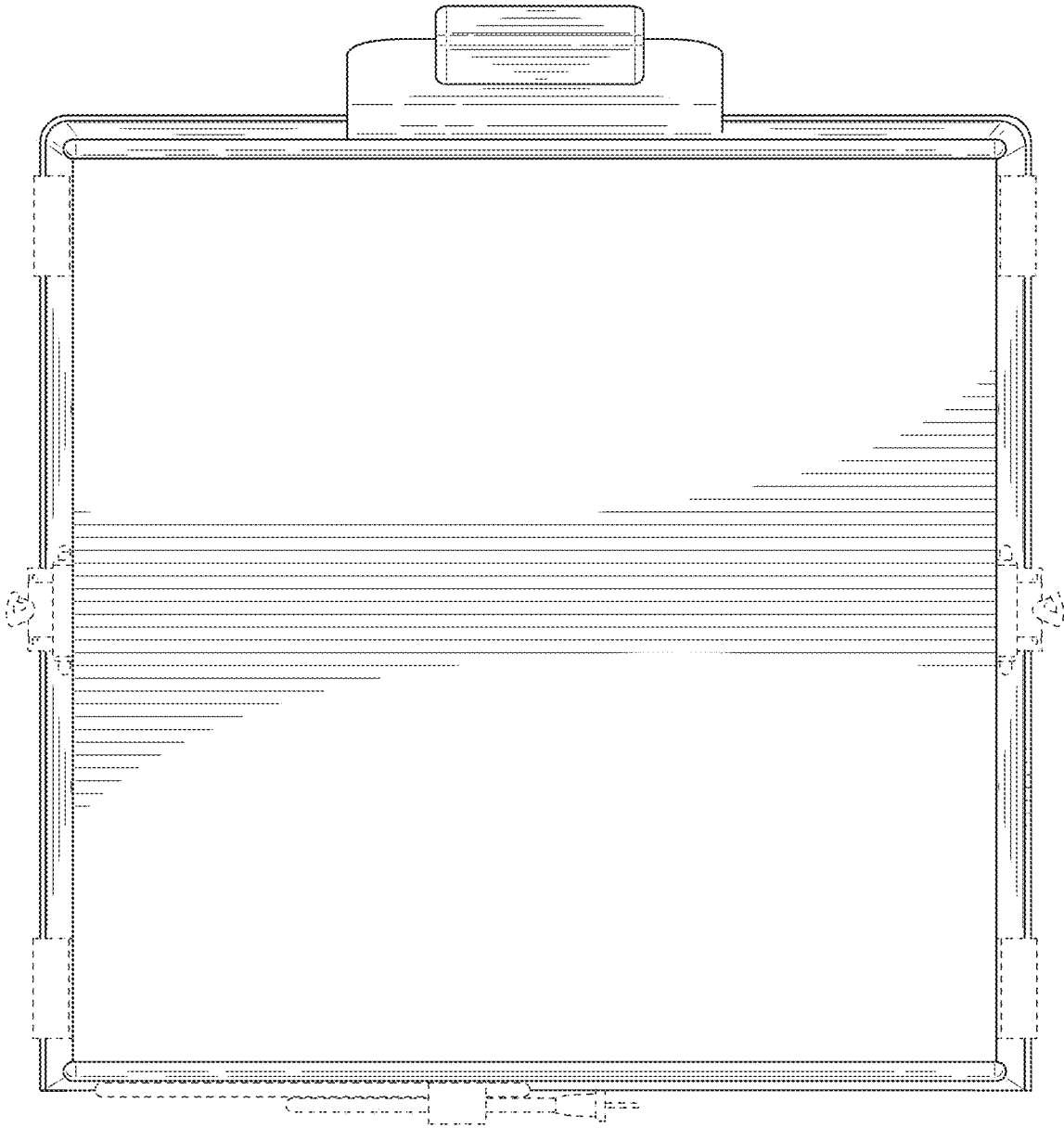


FIG. 21