



- (51) International Patent Classification:
G01N 33/00 (2006.01)
- (21) International Application Number:
PCT/IN2017/050059
- (22) International Filing Date:
13 February 2017 (13.02.2017)
- (25) Filing Language:
English
- (26) Publication Language:
English
- (30) Priority Data:
201621002677 11 February 2016 (11.02.2016) IN
- (72) Inventors; and
- (71) Applicants : VYAS, Ankit [IN/IN]; A-302, Ratnakar-3, Prernatirth Derasar Road, Jodhpur, Ahmedabad 380015 (IN). VYAS, Vrushank [IN/IN]; A-302, Ratnakar-3, Prernatirth Derasar Road, Jodhpur, Ahmedabad 380015 (IN). PATEL, Sohil [IN/IN]; C 004, saghun jyoti apt, behind Dhanjay Tower, Anand Nagar, Ahmedabad 380015 (IN).
- (74) Agent: GUPTA, Ashish; 1105 A3, GH-5B, Tech Zone, Amrapali dream valley, Greater Noida, Greater Noida 201009 (IN).
- (81) Designated States (unless otherwise indicated, for every kind of national protection available): AE, AG, AL, AM, AO, AT, AU, AZ, BA, BB, BG, BH, BN, BR, BW, BY,

BZ, CA, CH, CL, CN, CO, CR, CU, CZ, DE, DJ, DK, DM, DO, DZ, EC, EE, EG, ES, FI, GB, GD, GE, GH, GM, GT, HN, HR, HU, ID, IL, IN, IR, IS, JP, KE, KG, KH, KN, KP, KR, KW, KZ, LA, LC, LK, LR, LS, LU, LY, MA, MD, ME, MG, MK, MN, MW, MX, MY, MZ, NA, NG, NI, NO, NZ, OM, PA, PE, PG, PH, PL, PT, QA, RO, RS, RU, RW, SA, SC, SD, SE, SG, SK, SL, SM, ST, SV, SY, TH, TJ, TM, TN, TR, TT, TZ, UA, UG, US, UZ, VC, VN, ZA, ZM, ZW.

- (84) Designated States (unless otherwise indicated, for every kind of regional protection available): ARIPO (BW, GH, GM, KE, LR, LS, MW, MZ, NA, RW, SD, SL, ST, SZ, TZ, UG, ZM, ZW), Eurasian (AM, AZ, BY, KG, KZ, RU, TJ, TM), European (AL, AT, BE, BG, CH, CY, CZ, DE, DK, EE, ES, FI, FR, GB, GR, HR, HU, IE, IS, IT, LT, LU, LV, MC, MK, MT, NL, NO, PL, PT, RO, RS, SE, SI, SK, SM, TR), OAPI (BF, BJ, CF, CG, CI, CM, GA, GN, GQ, GW, KM, ML, MR, NE, SN, TD, TG).

Published:

- with international search report (Art. 21(3))
- before the expiration of the time limit for amending the claims and to be republished in the event of receipt of amendments (Rule 48.2(h))

- (88) Date of publication of the international search report:
19 October 2017

(54) Title: AIR CONSTITUENT MEASUREMENT SYSTEM, METHOD AND APPARATUS

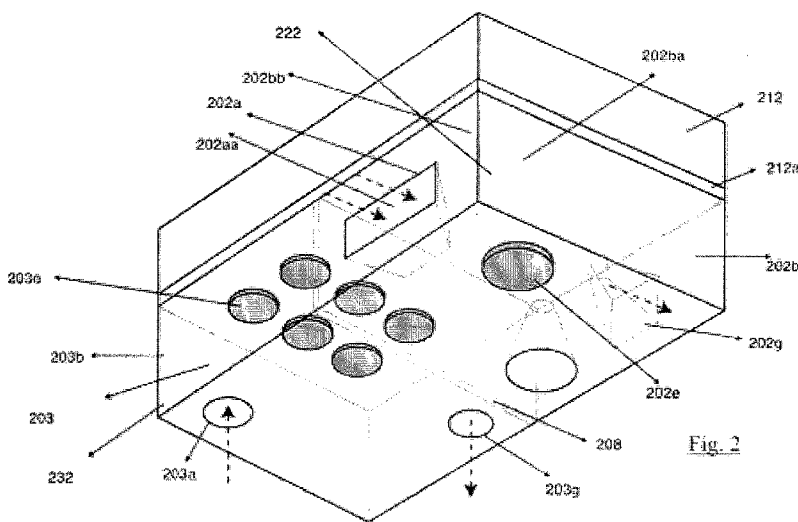


Fig. 2

(57) Abstract: Air quality measurement system, method and apparatus are described. The air quality measurement system is also referred to as air constituent measurement system. Various air-quality parameters such as, for example, particulate matter, SO₂, NO₂, CO, O₃, H₂S, CO₂, HCL, NH₃, CH₄, VOC etc. can be measured.



INTERNATIONAL SEARCH REPORT

International application No
PCT/IN2017/050059

A. CLASSIFICATION OF SUBJECT MATTER
INV. G01N33/00
ADD.
According to International Patent Classification (IPC) or to both national classification and IPC

B. FIELDS SEARCHED
Minimum documentation searched (classification system followed by classification symbols)
G01N

Documentation searched other than minimum documentation to the extent that such documents are included in the fields searched

Electronic data base consulted during the international search (name of data base and, where practicable, search terms used)
EPO-Internal, WPI Data

C. DOCUMENTS CONSIDERED TO BE RELEVANT

Category*	Citation of document, with indication, where appropriate, of the relevant passages	Relevant to claim No.
X	US 2014/157864 A1 (SUNDAL BJORN MAGNE [NO] ET AL) 12 June 2014 (2014-06-12)	1,3,4,6,17
Y	paragraph [0032] paragraph [0045] paragraph [0057] - paragraph [0058] paragraph [0061] - paragraph [0063] paragraph [0067] paragraph [0069] paragraph [0076] paragraph [0084] paragraph [0087] ----- -/--	2,5,7,18

Further documents are listed in the continuation of Box C.

See patent family annex.

* Special categories of cited documents :

- "A" document defining the general state of the art which is not considered to be of particular relevance
- "E" earlier application or patent but published on or after the international filing date
- "L" document which may throw doubts on priority claim(s) or which is cited to establish the publication date of another citation or other special reason (as specified)
- "O" document referring to an oral disclosure, use, exhibition or other means
- "P" document published prior to the international filing date but later than the priority date claimed

- "T" later document published after the international filing date or priority date and not in conflict with the application but cited to understand the principle or theory underlying the invention
- "X" document of particular relevance; the claimed invention cannot be considered novel or cannot be considered to involve an inventive step when the document is taken alone
- "Y" document of particular relevance; the claimed invention cannot be considered to involve an inventive step when the document is combined with one or more other such documents, such combination being obvious to a person skilled in the art
- "&" document member of the same patent family

Date of the actual completion of the international search 16 June 2017	Date of mailing of the international search report 21/09/2017
Name and mailing address of the ISA/ European Patent Office, P.B. 5818 Patentlaan 2 NL - 2280 HV Rijswijk Tel. (+31-70) 340-2040, Fax: (+31-70) 340-3016	Authorized officer Joyce, David

INTERNATIONAL SEARCH REPORT

 International application No
 PCT/IN2017/050059

C(Continuation). DOCUMENTS CONSIDERED TO BE RELEVANT		
Category*	Citation of document, with indication, where appropriate, of the relevant passages	Relevant to claim No.
Y	US 2013/174646 A1 (MARTIN DAVID [US]) 11 July 2013 (2013-07-11) paragraph [0048] - paragraph [0049]; figure 2 paragraph [0052] - paragraph [0054] paragraph [0061] paragraph [0065] paragraph [0075] - paragraph [0076] paragraph [0079] paragraph [0086] -----	2,5,18
Y	US 2013/298642 A1 (GILLETTE II WILLIAM J [US]) 14 November 2013 (2013-11-14) paragraph [0254] -----	7
A	US 3 408 869 A (PAWLEY AUGER FRANK) 5 November 1968 (1968-11-05) claim 1 -----	1,17

INTERNATIONAL SEARCH REPORT

International application No.
PCT/IN2017/050059

Box No. II Observations where certain claims were found unsearchable (Continuation of item 2 of first sheet)

This international search report has not been established in respect of certain claims under Article 17(2)(a) for the following reasons:

1. Claims Nos.:
because they relate to subject matter not required to be searched by this Authority, namely:

2. Claims Nos.:
because they relate to parts of the international application that do not comply with the prescribed requirements to such an extent that no meaningful international search can be carried out, specifically:

3. Claims Nos.:
because they are dependent claims and are not drafted in accordance with the second and third sentences of Rule 6.4(a).

Box No. III Observations where unity of invention is lacking (Continuation of item 3 of first sheet)

This International Searching Authority found multiple inventions in this international application, as follows:

see additional sheet

1. As all required additional search fees were timely paid by the applicant, this international search report covers all searchable claims.

2. As all searchable claims could be searched without effort justifying an additional fees, this Authority did not invite payment of additional fees.

3. As only some of the required additional search fees were timely paid by the applicant, this international search report covers only those claims for which fees were paid, specifically claims Nos.:

4. No required additional search fees were timely paid by the applicant. Consequently, this international search report is restricted to the invention first mentioned in the claims; it is covered by claims Nos.:
1-7, 17, 18

Remark on Protest

- The additional search fees were accompanied by the applicant's protest and, where applicable, the payment of a protest fee.
- The additional search fees were accompanied by the applicant's protest but the applicable protest fee was not paid within the time limit specified in the invitation.
- No protest accompanied the payment of additional search fees.

FURTHER INFORMATION CONTINUED FROM PCT/ISA/ 210

This International Searching Authority found multiple (groups of) inventions in this international application, as follows:

1. claims: 1-7, 17, 18

An air constituent measurement apparatus

2. claims: 8-16

An air constituent measurement apparatus comprising a gas measurement chamber, and a particulate measurement chamber

INTERNATIONAL SEARCH REPORT

Information on patent family members

International application No PCT/IN2017/050059

Patent document cited in search report	Publication date	Patent family member(s)	Publication date
US 2014157864	A1	12-06-2014	CA 2842289 A1 24-01-2013
			EP 2734863 A2 28-05-2014
			GB 2493107 A 23-01-2013
			US 2014157864 A1 12-06-2014
			US 2016299235 A1 13-10-2016
			WO 2013011322 A2 24-01-2013

US 2013174646	A1	11-07-2013	US 2013174646 A1 11-07-2013
			US 2015052975 A1 26-02-2015
			WO 2013112287 A1 01-08-2013

US 2013298642	A1	14-11-2013	US 2013298642 A1 14-11-2013
			US 2013298652 A1 14-11-2013
			US 2013298664 A1 14-11-2013
			US 2013298857 A1 14-11-2013
			US 2013299001 A1 14-11-2013
			US 2013300341 A1 14-11-2013
			US 2013300574 A1 14-11-2013
			US 2013301674 A1 14-11-2013
			US 2013304346 A1 14-11-2013
			US 2013304351 A1 14-11-2013
			US 2013304385 A1 14-11-2013
			US 2017040520 A1 09-02-2017

US 3408869	A	05-11-1968	NONE
