



US00D461963S

(12) **United States Design Patent** (10) **Patent No.:** **US D461,963 S**  
**Bottoms** (45) **Date of Patent:** **\*\* Aug. 27, 2002**

(54) **BODY SUPPORT** D343,067 S \* 1/1994 Pass ..... D6/330

(75) Inventor: **Gary D. Bottoms**, Fort Mill, SC (US)

\* cited by examiner

(73) Assignee: **Auto Products, Inc.**, Fort Mill, SC (US)

*Primary Examiner*—Doris V. Coles

*Assistant Examiner*—Mimosa De

(\*\*) Term: **14 Years**

(74) *Attorney, Agent, or Firm*—Adams, Schwartz & Evans, P.A.

(21) Appl. No.: **29/149,537**

(57) **CLAIM**

(22) Filed: **Oct. 10, 2001**

The ornamental design for a body support, as shown and described.

(51) **LOC (7) Cl.** ..... **06-01**

**DESCRIPTION**

(52) **U.S. Cl.** ..... **D6/330**

(58) **Field of Search** ..... D6/329, 330, 335,  
D6/500–502; D21/687; 482/140; 297/313,  
423.11, 423.16

FIG. 1 is a front perspective view of a body support according to one preferred embodiment of the present design;

FIG. 2 is rear perspective view thereof;

FIG. 3 is a front view thereof; and,

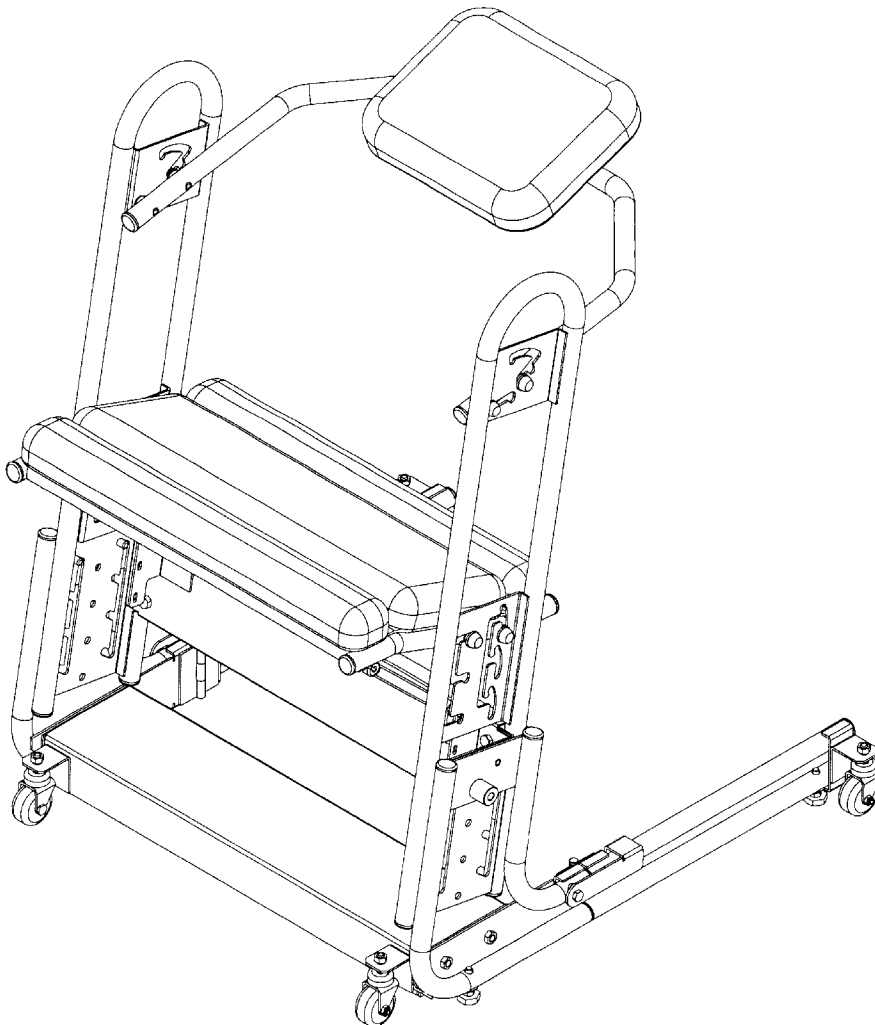
FIG. 4 is a side view thereof, it being understood that the other side is a mirror image.

(56) **References Cited**

**U.S. PATENT DOCUMENTS**

4,650,249 A \* 3/1987 Serber ..... 297/313  
4,653,808 A \* 3/1987 Opsvik ..... 297/423.11

**1 Claim, 4 Drawing Sheets**



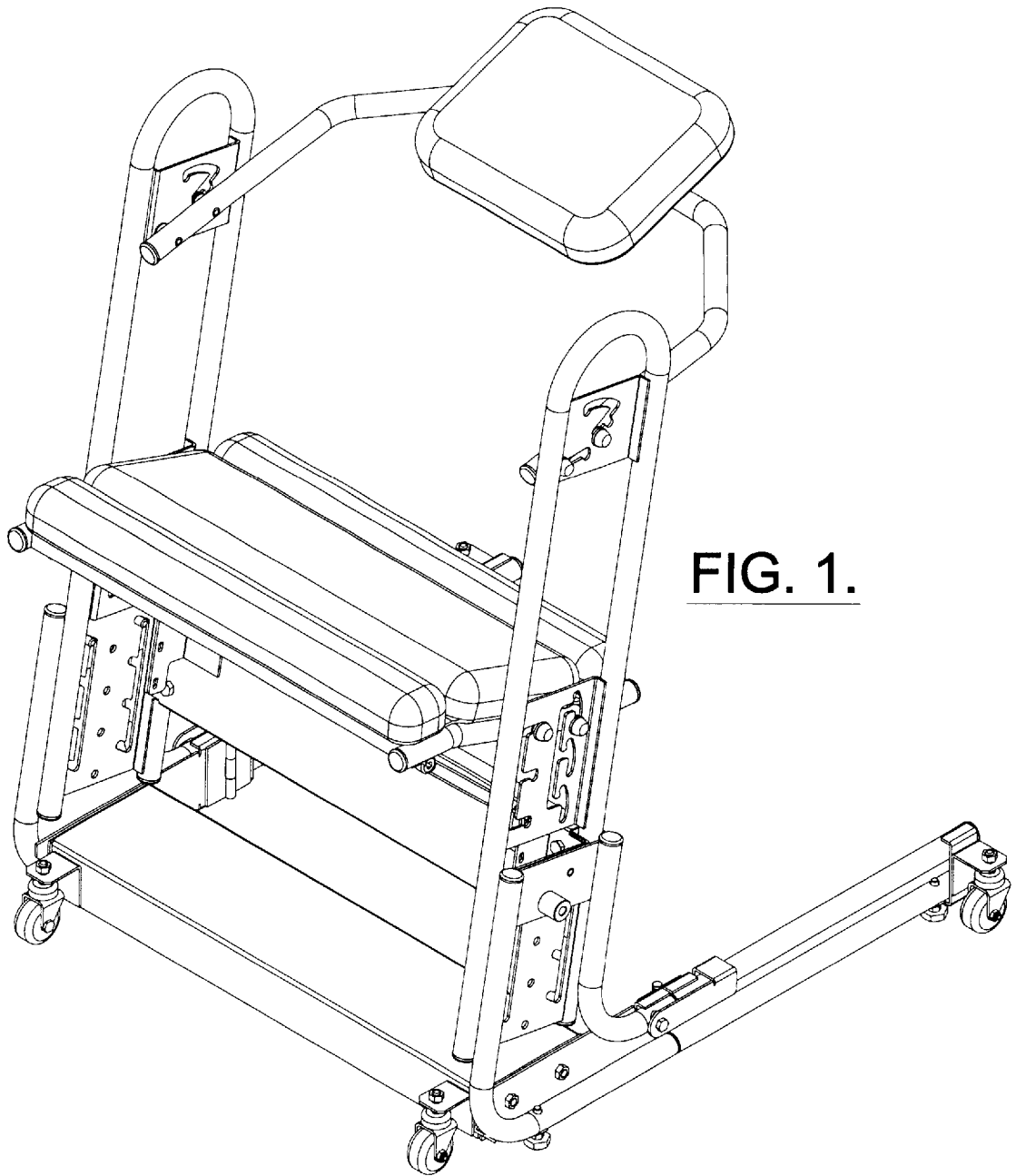


FIG. 1.

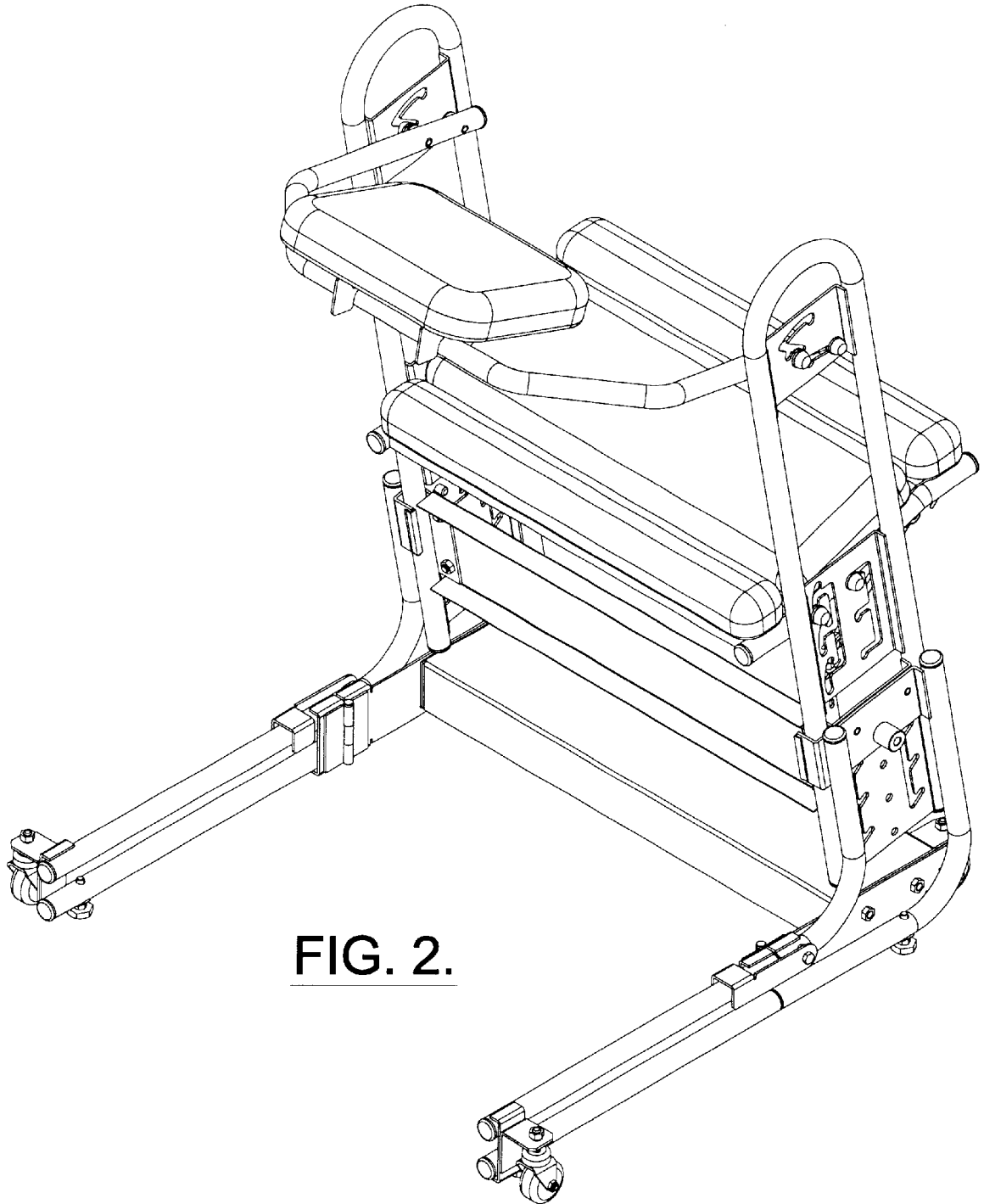


FIG. 2.

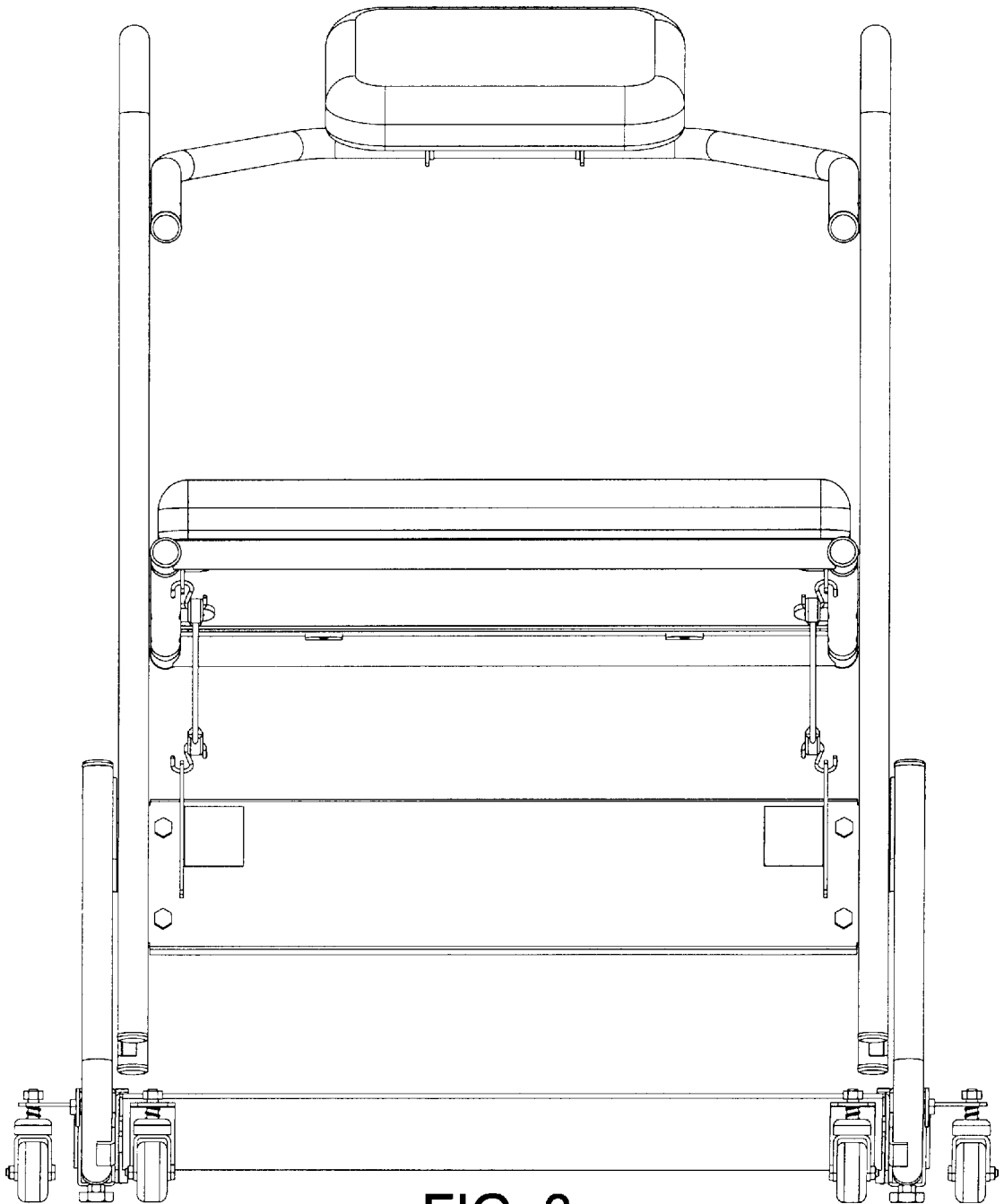


FIG. 3.

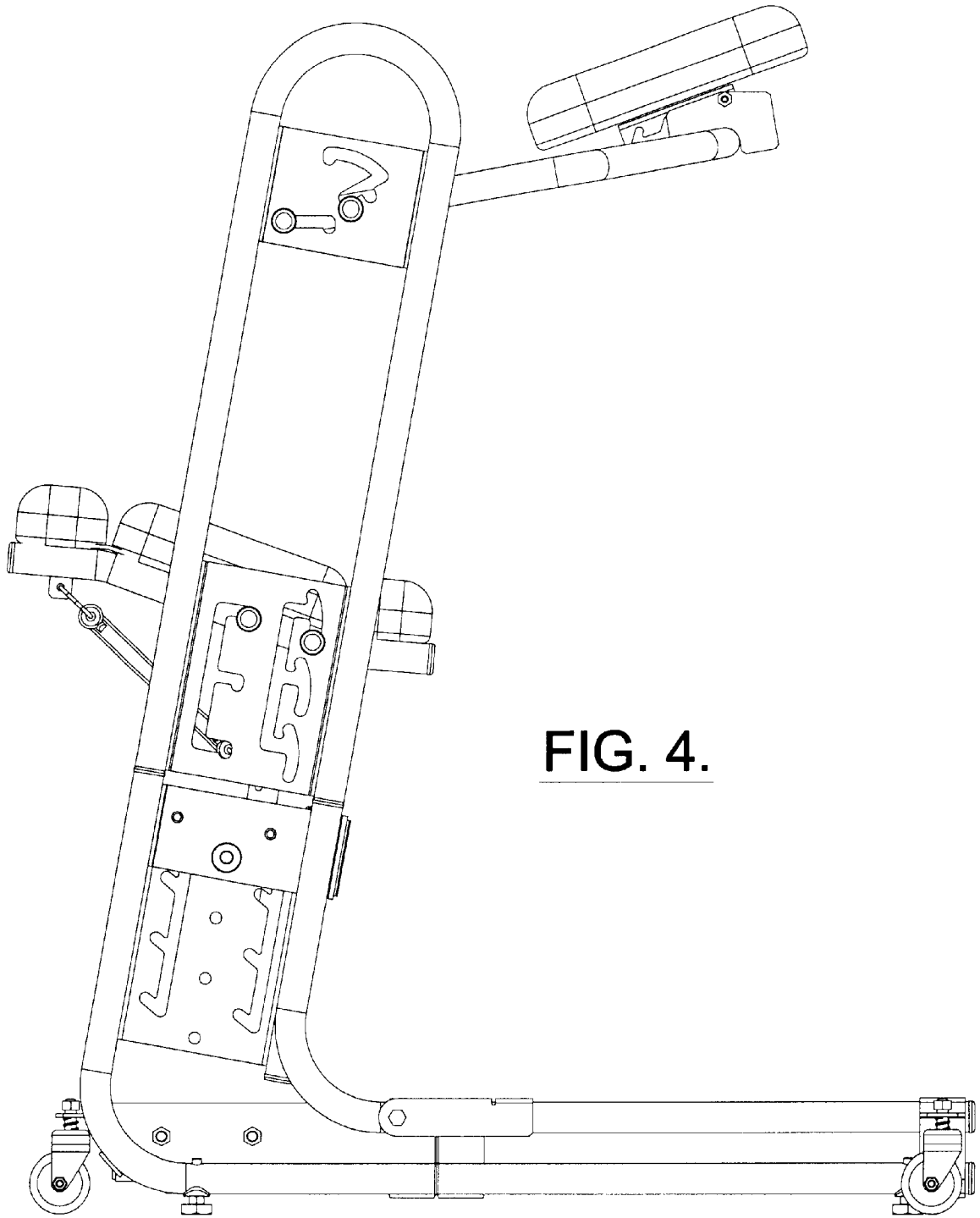


FIG. 4.