



US0D1008399S

(12) **United States Design Patent**
VanFossan

(10) **Patent No.:** **US D1,008,399 S**

(45) **Date of Patent:** **** Dec. 19, 2023**

(54) **MUZZLE BRAKE**

(71) Applicant: **William Ronald VanFossan,**
Dandridge, TN (US)

(72) Inventor: **William Ronald VanFossan,**
Dandridge, TN (US)

(**) Term: **15 Years**

(21) Appl. No.: **29/756,539**

(22) Filed: **Oct. 29, 2020**

(51) **LOC (14) Cl.** **22-01**

(52) **U.S. Cl.**
USPC **D22/108**

(58) **Field of Classification Search**
USPC D22/104, 105, 108; D21/573, 574
CPC F41C 3/00; F41C 7/00; F41A 21/32; F41A
35/04; F41A 21/36; F41A 21/325
See application file for complete search history.

(56) **References Cited**

U.S. PATENT DOCUMENTS

5,036,747	A	8/1991	McClain, III	
5,652,406	A	7/1997	Phan	
5,814,757	A	9/1998	Buss	
6,216,578	B1	4/2001	Ledys et al.	
6,269,727	B1	8/2001	Nigge	
6,276,251	B1	8/2001	Downing et al.	
6,425,310	B1	7/2002	Champion	
6,722,254	B1	4/2004	Davies	
7,296,505	B2	11/2007	Balbo et al.	
7,328,645	B1	2/2008	Curry et al.	
7,937,869	B2	5/2011	Levin	
7,946,069	B2	5/2011	Dueck et al.	
7,954,414	B2	6/2011	Dueck et al.	
D647,588	S *	10/2011	Heath	D22/108
8,042,448	B1 *	10/2011	Sylvester	F41A 21/36 42/1.06
8,087,337	B1	1/2012	Cary	
8,099,892	B1	1/2012	Strömberg	
8,205,538	B2	6/2012	Dueck et al.	

8,342,071	B2	1/2013	Hortobagyi	
8,424,440	B1 *	4/2013	Carson	F41A 21/36 89/14.3
8,505,431	B2	8/2013	Hines	
8,578,832	B2 *	11/2013	Adolphsen	F41A 21/36 89/14.3
8,627,755	B1	1/2014	Eckel	
8,707,846	B2	4/2014	Kohnen	
8,800,419	B1	8/2014	Walker	
D763,395	S *	8/2016	Joplin	D22/108

(Continued)

OTHER PUBLICATIONS

“How To Properly Install a Muzzle Brake” [online]. Brandon Maddox. [Published Mar. 8, 2022]. Retrieved from the Internet: <<https://www.silencercentral.com/blog/how-to-properly-install-a-muzzle-brake/>>.*

(Continued)

Primary Examiner — Mojtaba Tehrani
(74) *Attorney, Agent, or Firm* — Luedeka Neely, P.C.;
Robert Fox

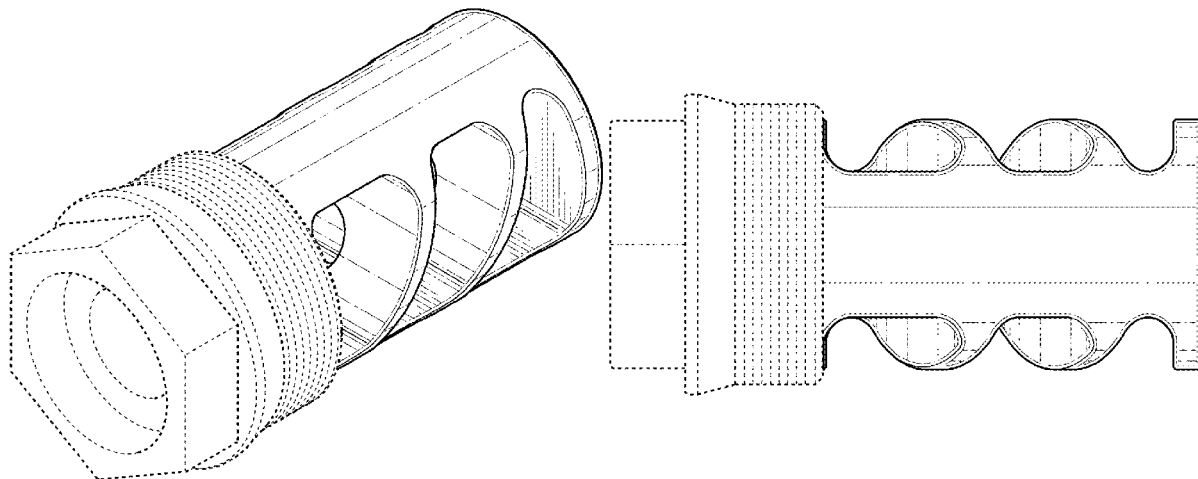
(57) **CLAIM**

The ornamental design for a muzzle brake, as shown and described.

DESCRIPTION

FIG. 1 is a perspective view of a muzzle brake of my new design.
FIG. 2 is a front view thereof;
FIG. 3 is a rear view thereof;
FIG. 4 is a right side view thereof.
FIG. 5 is a left side view thereof.
FIG. 6 is a top view thereof; and,
FIG. 7 is a bottom view thereof.
The broken lines in the drawings are included for the purpose of illustrating unclaimed features and form no part of the claimed design.

1 Claim, 4 Drawing Sheets



(56)

References Cited

U.S. PATENT DOCUMENTS

D767,074 S * 9/2016 Sui D22/108
D787,622 S * 5/2017 Geissele B25B 13/50
D22/108
D868,197 S * 11/2019 Bender D22/108
10,612,878 B1 * 4/2020 Salvador F41A 21/325
10,788,283 B2 * 9/2020 Joplin F41A 21/38
11,262,150 B1 * 3/2022 VanFossan F41A 21/36
2010/0275492 A1 * 11/2010 Moller F41A 21/325
42/79
2012/0180352 A1 * 7/2012 Addis F41A 21/325
42/1.06
2016/0169606 A1 * 6/2016 Joplin F41A 21/36
42/1.06
2017/0343311 A1 * 11/2017 Deros F41A 21/36
2021/0003360 A1 * 1/2021 Kras F41A 21/30
2021/0207918 A1 * 7/2021 Collins F41A 21/36
2021/0404760 A1 * 12/2021 Hipp F41A 21/36
2023/0032661 A1 * 2/2023 Geissele B23C 3/16

OTHER PUBLICATIONS

"Muzzle Devices" [online]. CMMG. [Retrieved Oct. 2, 2023].
Retrieved from the Internet: <<https://cmmg.com/muzzle-devices>>.*

* cited by examiner

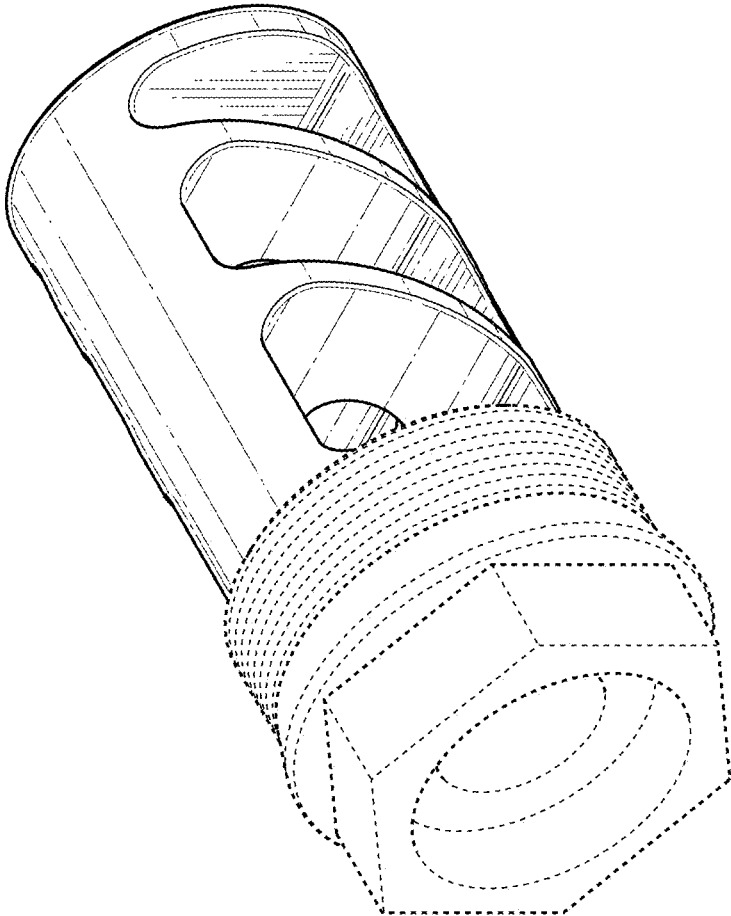


FIG. 1

FIG. 2

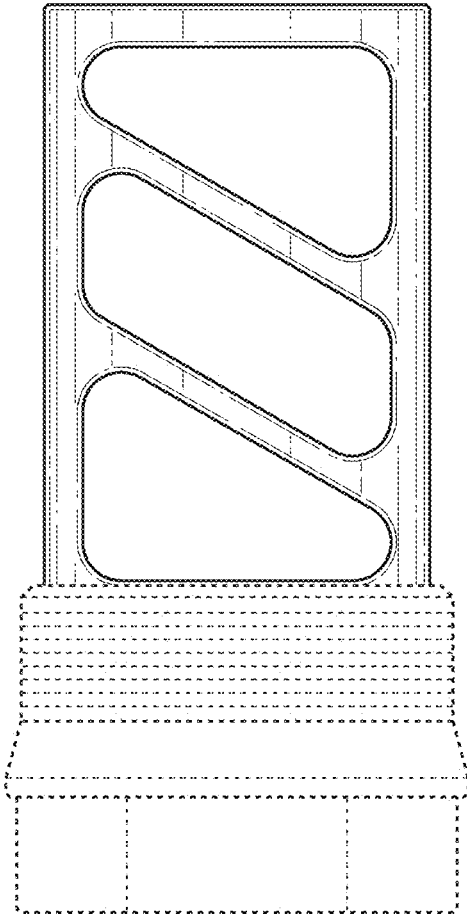


FIG. 3

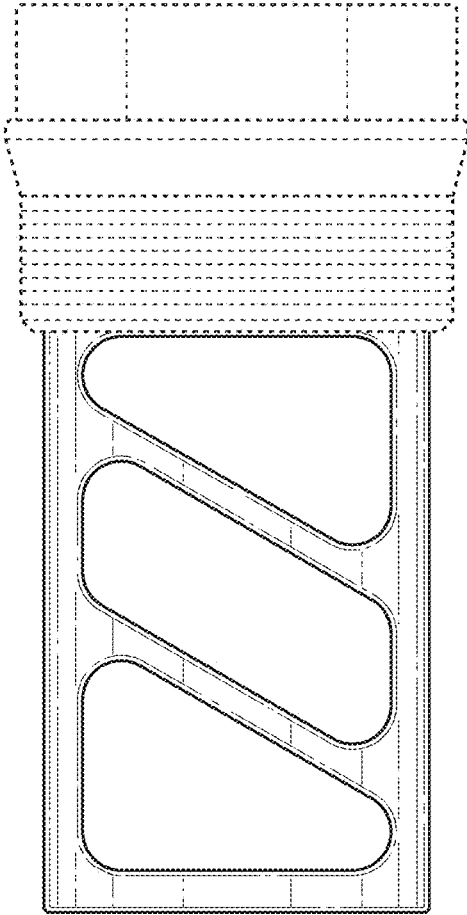


FIG. 4

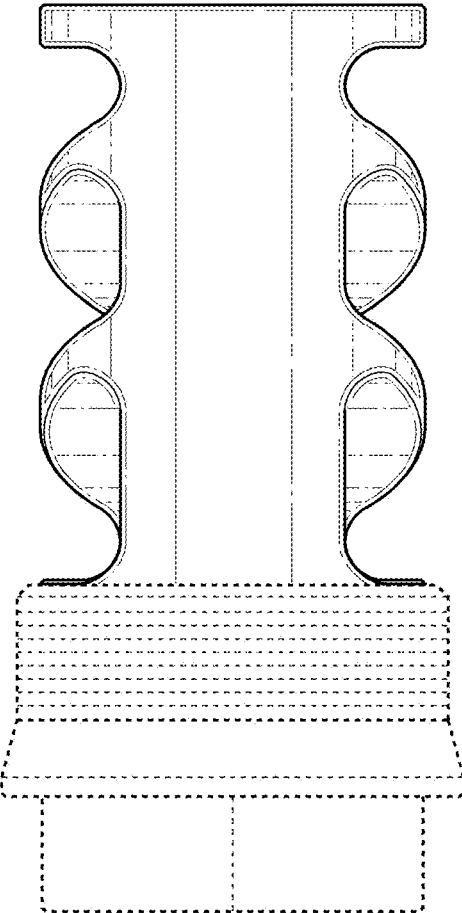
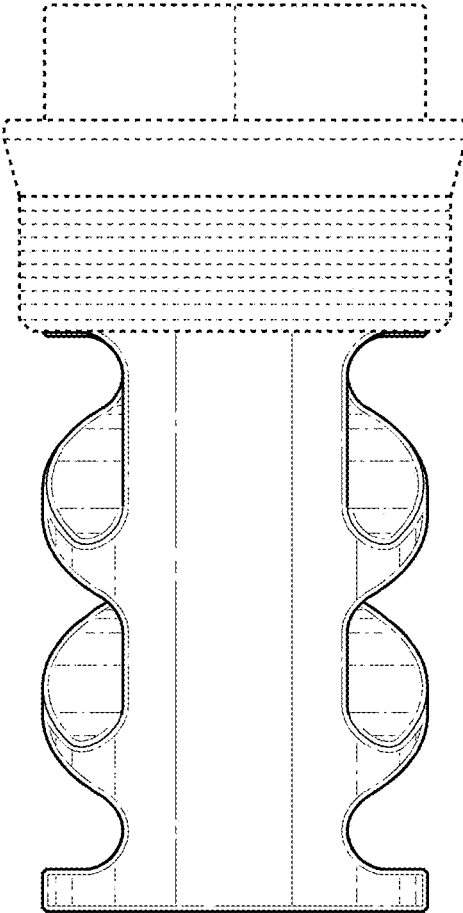


FIG. 5



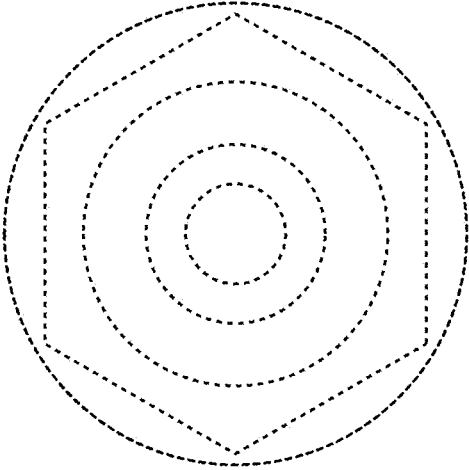


FIG. 6

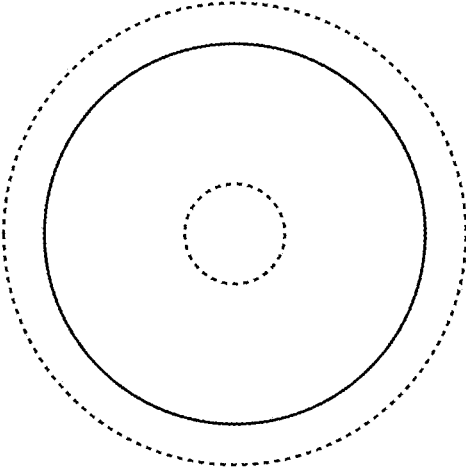


FIG. 7