



US00D856466S

(12) **United States Design Patent**  
**Long**

(10) **Patent No.:** **US D856,466 S**

(45) **Date of Patent:** **\*\* Aug. 13, 2019**

(54) **ELECTRONIC MOUSE/INSECT REPELLER**

(71) Applicant: **Hui-Jian Long**, Ninbo (CN)

(72) Inventor: **Hui-Jian Long**, Ninbo (CN)

(\*\*) Term: **15 Years**

(21) Appl. No.: **29/641,403**

(22) Filed: **Mar. 22, 2018**

(51) **LOC (12) Cl.** ..... **22-06**

(52) **U.S. Cl.**  
USPC ..... **D22/120**

(58) **Field of Classification Search**  
USPC ..... D22/119-124; 392/395; 43/65-66,  
43/112-114, 120-121, 131, 132.1  
CPC ..... A01M 1/04; A01M 1/223; A01M 29/12;  
A01M 1/22; A01M 1/2005; A01M  
1/2001; A01M 1/2016; A01M 25/002;  
A01M 25/004; A01M 2200/011; A01M  
2200/012; E04B 1/17; F16M 13/02  
See application file for complete search history.

(56) **References Cited**

**U.S. PATENT DOCUMENTS**

D469,147 S \* 1/2003 Levine ..... D22/120  
D469,499 S \* 1/2003 Levine ..... D22/120

D638,507 S \* 5/2011 Feuerstein ..... D22/120  
D768,806 S \* 10/2016 Wu ..... D22/120  
D779,626 S \* 2/2017 Hou ..... D22/120  
D833,568 S \* 11/2018 Long ..... D22/122  
D836,748 S \* 12/2018 Gu ..... D22/120

\* cited by examiner

*Primary Examiner* — Catherine R Oliver-Garcia  
(74) *Attorney, Agent, or Firm* — Wang Law Firm, Inc.

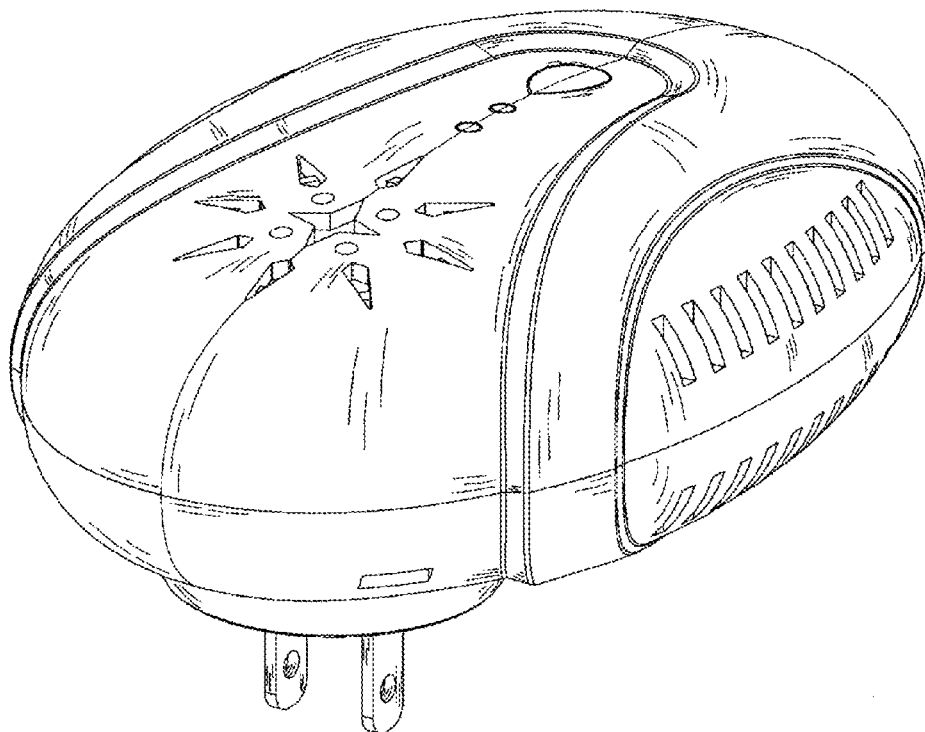
(57) **CLAIM**

The ornamental design for electronic mouse/insect repeller, as shown and described.

**DESCRIPTION**

FIG. 1 is a top and right side perspective view of the electronic mouse/insect repeller showing my new design; FIG. 2 is a front elevational view thereof; FIG. 3 is a rear elevational view thereof; FIG. 4 is a left side elevational view thereof; FIG. 5 is a right side elevational view thereof; FIG. 6 is a top plan view thereof; and, FIG. 7 is a bottom plan view thereof.

**1 Claim, 7 Drawing Sheets**



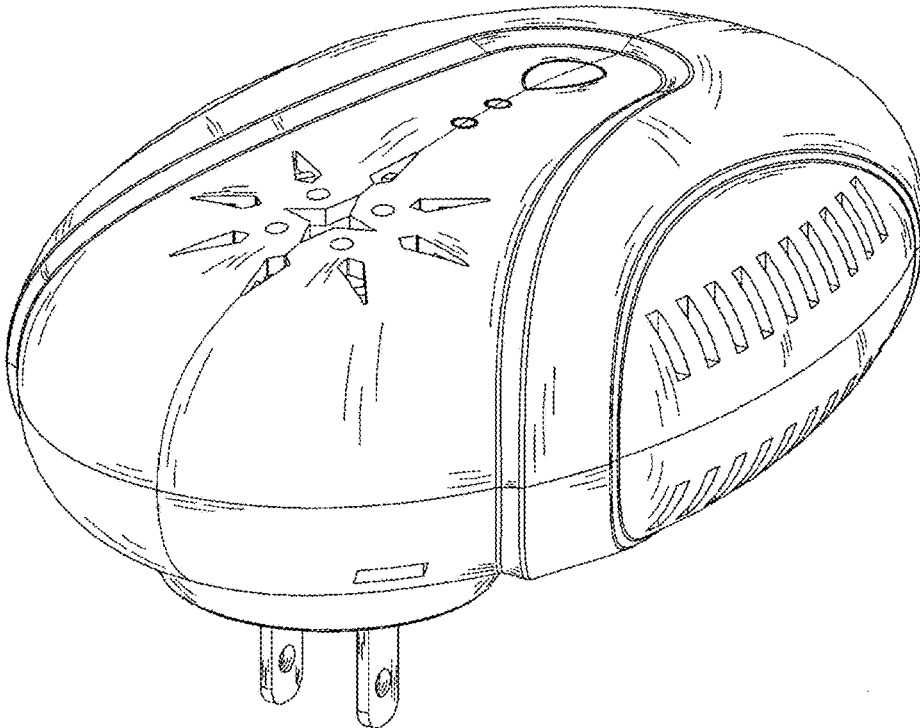


FIG. 1

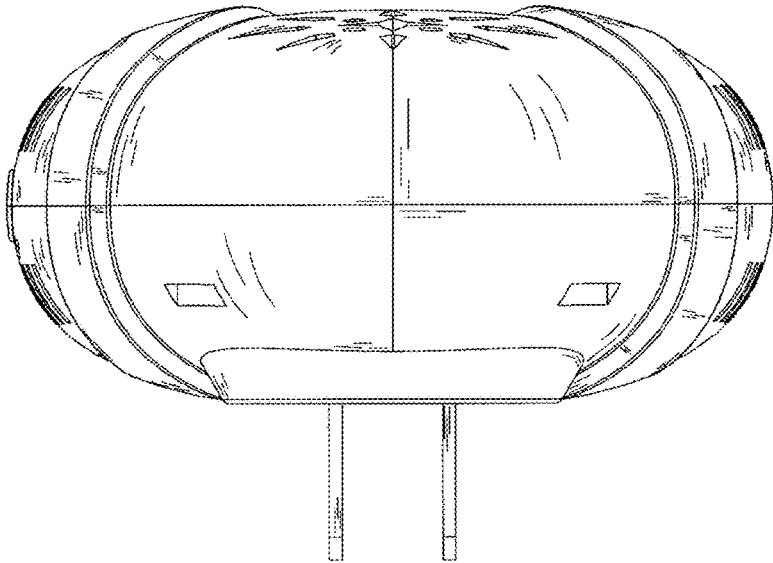


FIG. 2

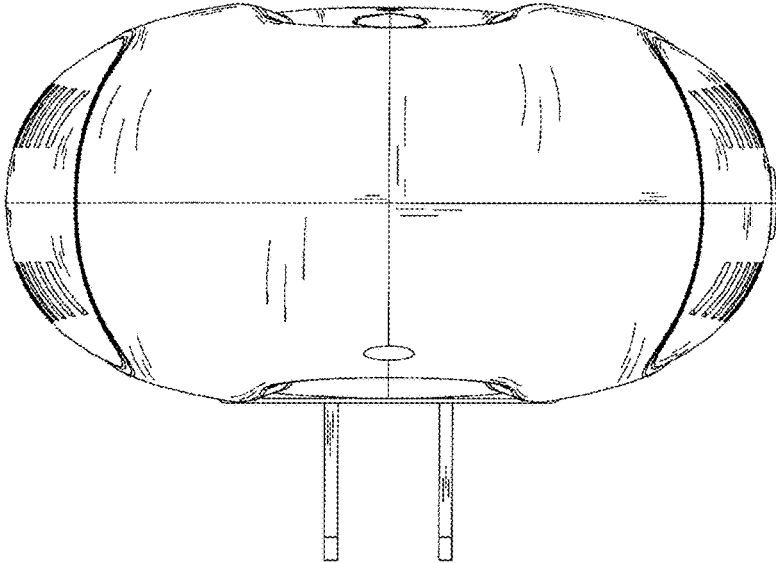


FIG. 3

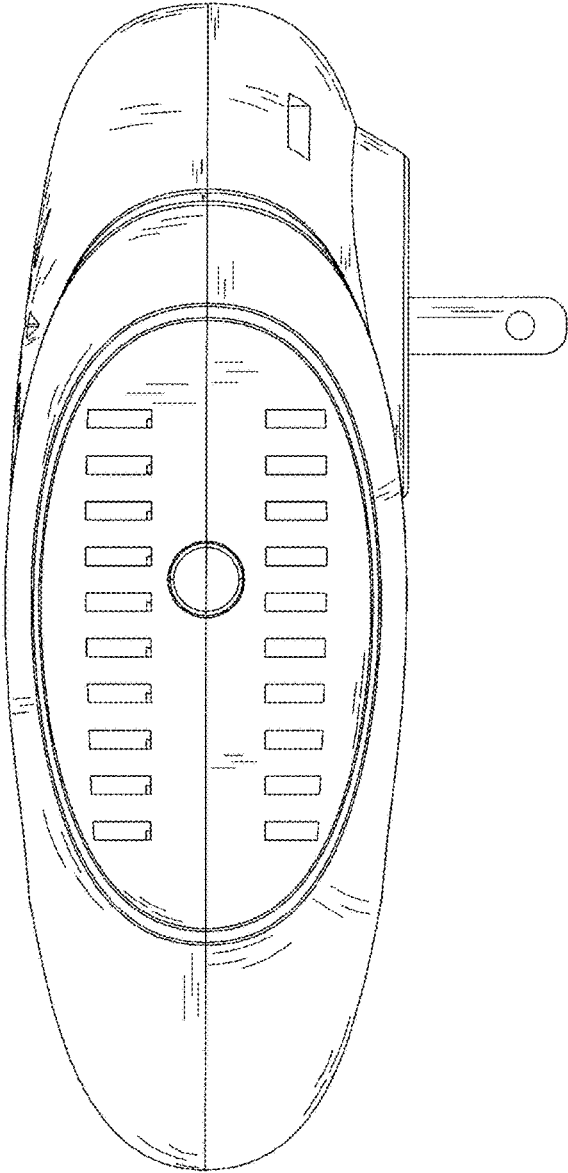


FIG. 4

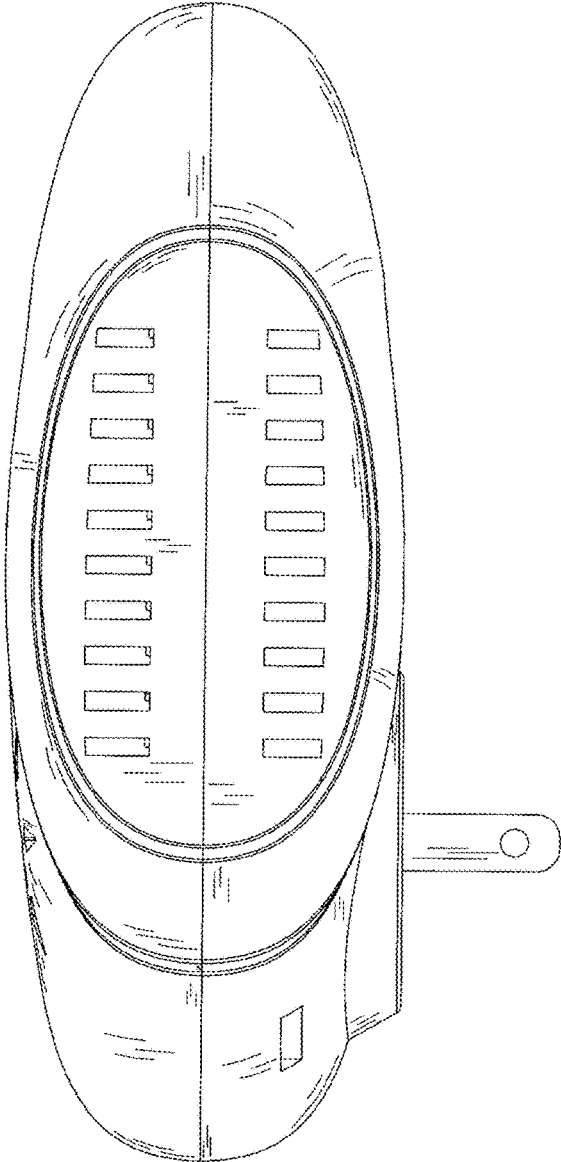


FIG. 5

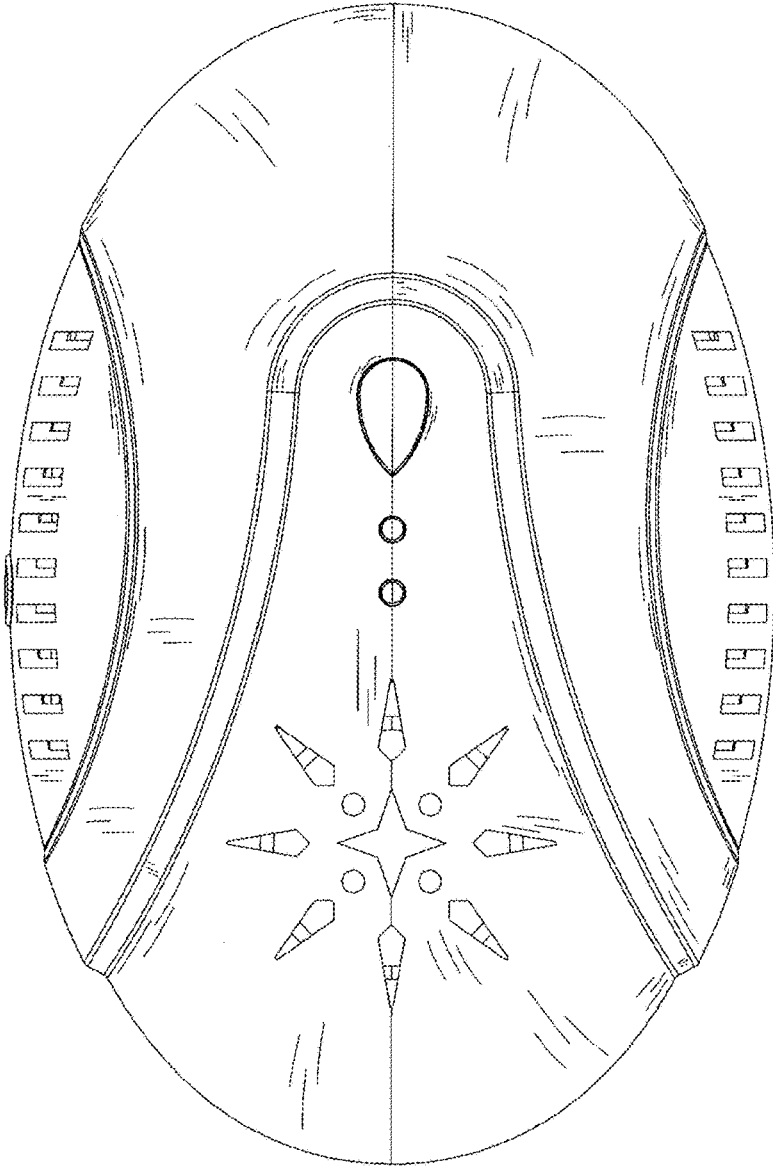


FIG 6

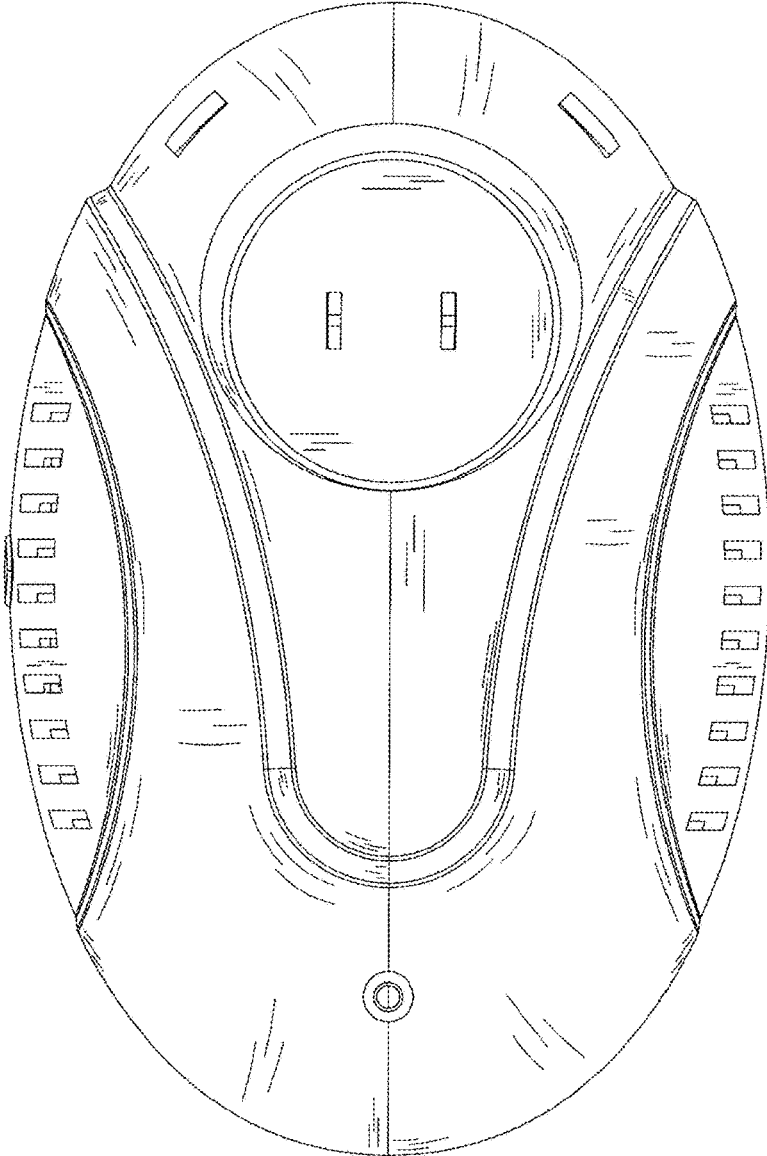


FIG. 7