



US00D565463S

(12) **United States Design Patent** (10) **Patent No.:** **US D565,463 S**  
**Tomatsu et al.** (45) **Date of Patent:** **\*\* Apr. 1, 2008**

(54) **FRONT GRILL FOR AN AUTOMOBILE**

Brochure of ist; TOYOTA ist; Toyota Jidosha Kabushiki Kaisha; May 2002.

(75) Inventors: **Nobuyuki Tomatsu**, Toyota (JP); **Mitsushi Kintaka**, Kariya (JP); **Shogo Tokutake**, Kariya (JP)

\* cited by examiner

(73) Assignee: **Toyota Jidosha Kabushiki Kaisha**, Toyota (JP)

*Primary Examiner*—Melody N. Brown  
(74) *Attorney, Agent, or Firm*—Finnegan, Henderson, Farabow, Garrett & Dunner, L.L.P.

(\*\*) Term: **14 Years**

(57) **CLAIM**

(21) Appl. No.: **29/274,375**

The ornamental design for a front grill for an automobile, as shown and described.

(22) Filed: **Apr. 20, 2007**

(51) **LOC (8) Cl.** ..... **12-16**

(52) **U.S. Cl.** ..... **D12/16**

(58) **Field of Classification Search** ..... D12/163, D12/171, 90-92, 216, 169, 196; 180/68.1, 180/68.6; 296/193.11; 293/102, 113, 115  
See application file for complete search history.

**DESCRIPTION**

FIG. 1 is a front, perspective view of a front grill for an automobile of our new design;

FIG. 2 is a front elevational view thereof; and

FIG. 3 is a rear elevational view thereof;

FIG. 4 is a top plan view thereof;

FIG. 5 is a bottom plan view thereof;

FIG. 6 is a right side elevational view thereof; and,

FIG. 7 is a left side elevational view thereof.

(56) **References Cited**

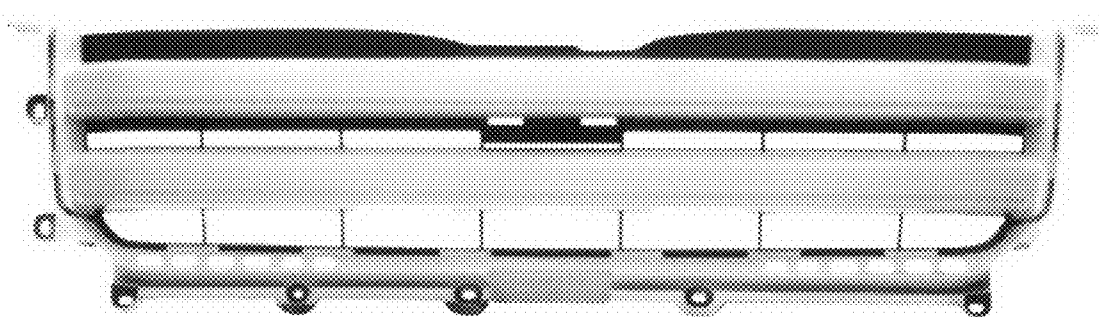
U.S. PATENT DOCUMENTS

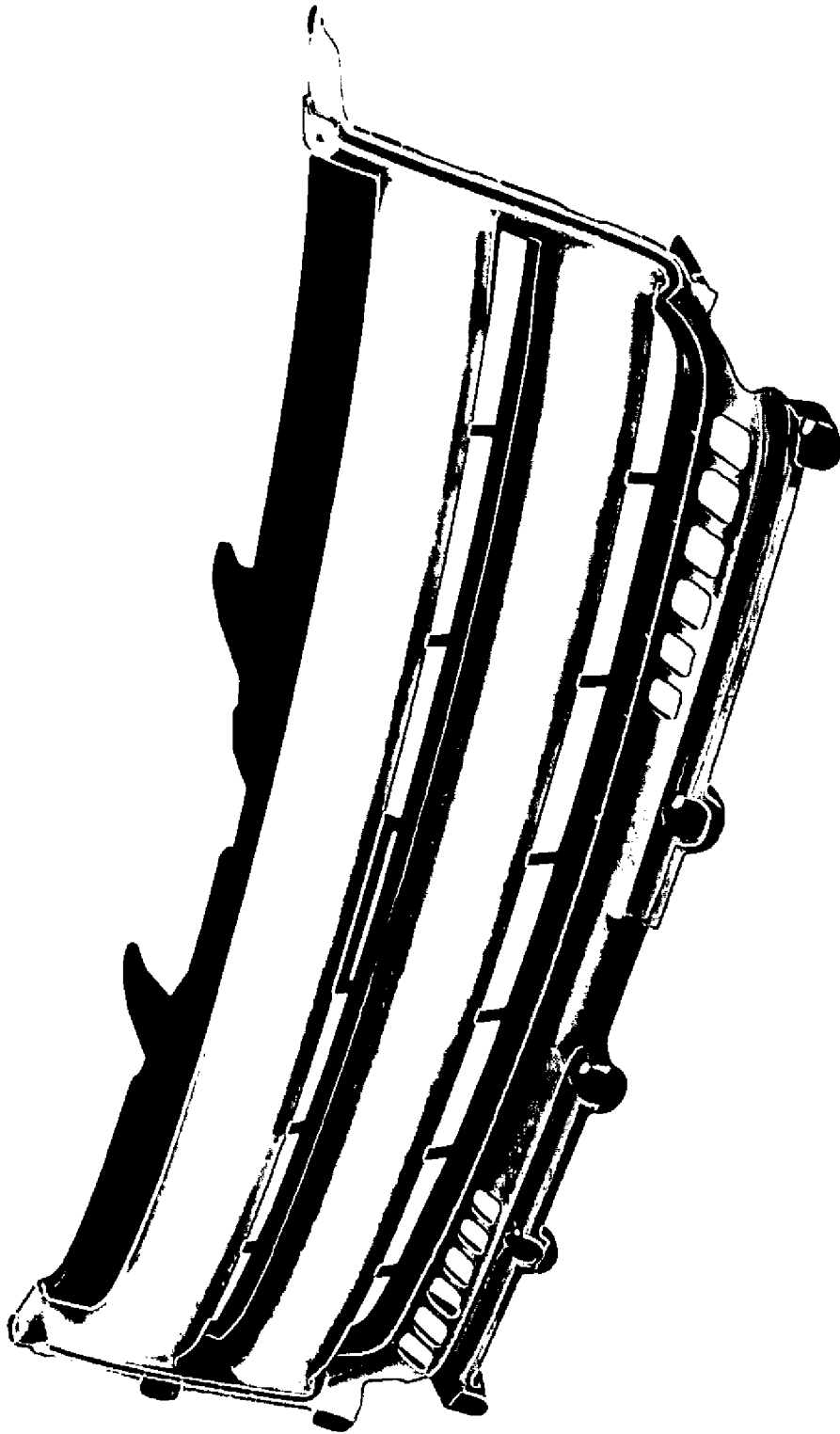
D464,296 S \* 10/2002 Nemoto ..... D12/163  
D500,265 S \* 12/2004 Ishibashi ..... D12/163  
D504,364 S \* 4/2005 Nagura et al. .... D12/163  
D525,570 S 7/2006 Sugiura

OTHER PUBLICATIONS

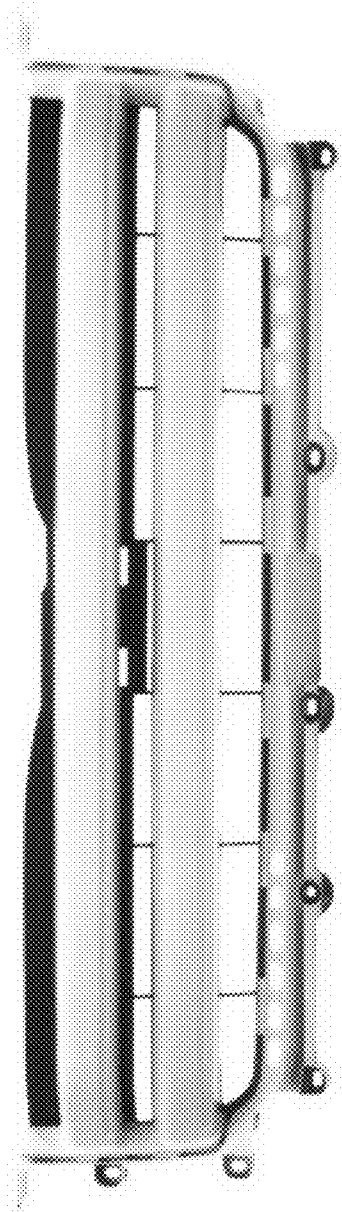
Brochure of Noah; Toyota Noah; Toyota Jidosha Kabushiki Kaisha; Aug. 2002.

**1 Claim, 3 Drawing Sheets**

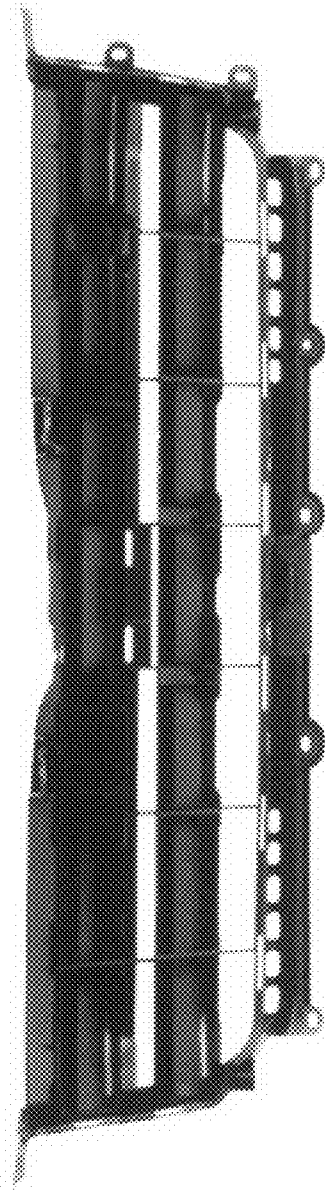




**FIG. 1**



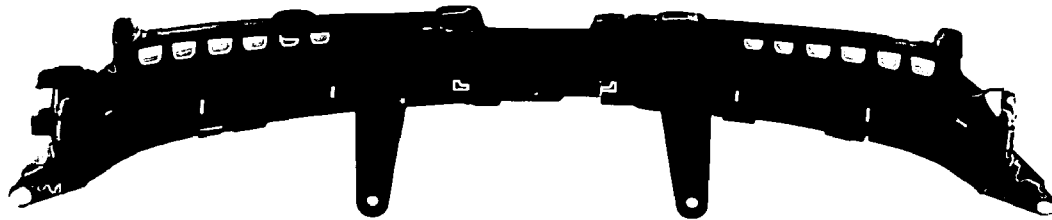
**FIG. 2**



**FIG. 3**



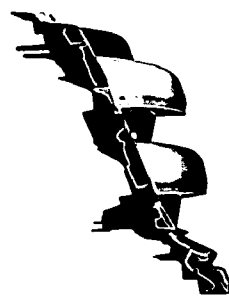
**FIG. 4**



**FIG. 5**



**FIG. 6**



**FIG. 7**