

(19) World Intellectual Property Organization
International Bureau



(43) International Publication Date
8 November 2007 (08.11.2007)

PCT

(10) International Publication Number
WO 2007/126549 A3

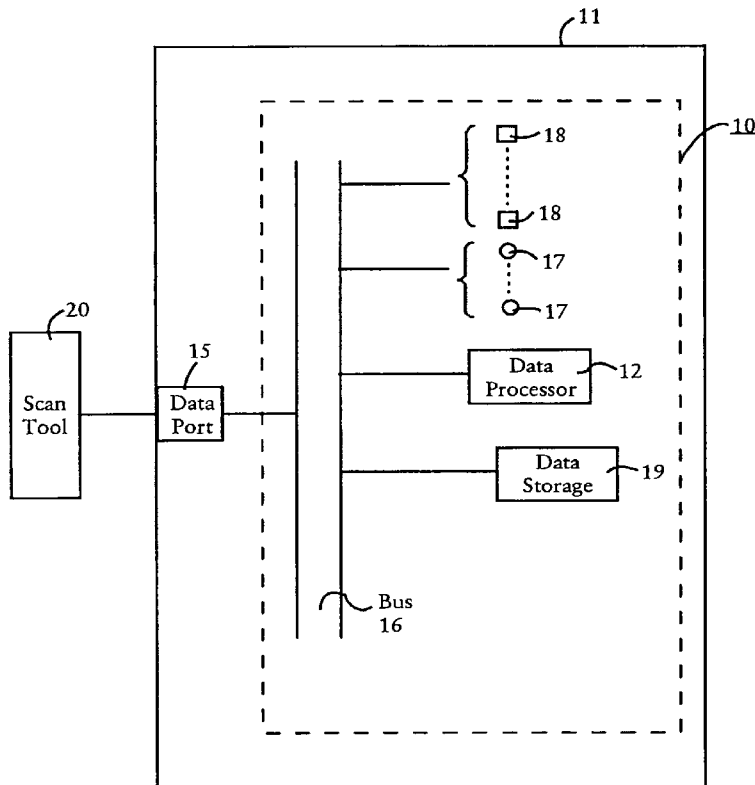
- (51) International Patent Classification:
G07C 5/00 (2006.01)
- (21) International Application Number:
PCT/US2007/005786
- (22) International Filing Date: 9 March 2007 (09.03.2007)
- (25) Filing Language: English
- (26) Publication Language: English
- (30) Priority Data:
11/394,038 29 March 2006 (29.03.2006) US
- (71) Applicant (for all designated States except US):
SNAP-ON INCORPORATED [US/US]; 2801 80th Street, Kenosha, WI 53141-1410 (US).
- (72) Inventor; and
- (75) Inventor/Applicant (for US only): **LOGSDON, Matthew, Gabriel** [US/US]; 6211 Londonderry Drive, Cary, IL 60113 (US).
- (74) Agent: **BECKER, Stephen, A.**; McDermott Will & Emery LLP, 600 13th Street, N.W., Washington, DC 20005-3096 (US).

- (81) Designated States (unless otherwise indicated, for every kind of national protection available): AE, AG, AL, AM, AT, AU, AZ, BA, BB, BG, BR, BW, BY, BZ, CA, CH, CN, CO, CR, CU, CZ, DE, DK, DM, DZ, EC, EE, EG, ES, FI, GB, GD, GE, GH, GM, GT, HN, HR, HU, ID, IL, IN, IS, JP, KE, KG, KM, KN, KP, KR, KZ, LA, LC, LK, LR, LS, LT, LU, LY, MA, MD, MG, MK, MN, MW, MX, MY, MZ, NA, NG, NI, NO, NZ, OM, PG, PH, PL, PT, RO, RS, RU, SC, SD, SE, SG, SK, SL, SM, SV, SY, TJ, TM, TN, TR, TT, TZ, UA, UG, US, UZ, VC, VN, ZA, ZM, ZW.
- (84) Designated States (unless otherwise indicated, for every kind of regional protection available): ARIPO (BW, GH, GM, KE, LS, MW, MZ, NA, SD, SL, SZ, TZ, UG, ZM, ZW), Eurasian (AM, AZ, BY, KG, KZ, MD, RU, TJ, TM), European (AT, BE, BG, CH, CY, CZ, DE, DK, EE, ES, FI, FR, GB, GR, HU, IE, IS, IT, LT, LU, LV, MC, MT, NL, PL, PT, RO, SE, SI, SK, TR), OAPI (BF, BJ, CF, CG, CI, CM, GA, GN, GQ, GW, ML, MR, NE, SN, TD, TG).

Published:
— with international search report

[Continued on next page]

(54) Title: VEHICLE DIAGNOSTIC METHOD AND SYSTEM WITH INTELLIGENT DATA COLLECTION



(57) Abstract: Vehicle diagnostic devices and methods that detect the occurrence of a maintenance process performed on a vehicle, and responsive to the detected occurrence of the maintenance process, initiate a data collection process to collect data related to the performed maintenance process, and a data transmission process to provide the collected data to a remote data depository.

WO 2007/126549 A3



— *before the expiration of the time limit for amending the claims and to be republished in the event of receipt of amendments*

For two-letter codes and other abbreviations, refer to the "Guidance Notes on Codes and Abbreviations" appearing at the beginning of each regular issue of the PCT Gazette.

(88) Date of publication of the international search report:

3 January 2008

INTERNATIONAL SEARCH REPORT

International application No

PCT/US2007/005786

A. CLASSIFICATION OF SUBJECT MATTER
INV. G07C5/00

According to International Patent Classification (IPC) or to both national classification and IPC

B. FIELDS SEARCHED

Minimum documentation searched (classification system followed by classification symbols)
G07C

Documentation searched other than minimum documentation to the extent that such documents are included in the fields searched

Electronic data base consulted during the international search (name of data base and, where practical, search terms used)

EPO-Internal, WPI Data

C. DOCUMENTS CONSIDERED TO BE RELEVANT

Category*	Citation of document, with indication, where appropriate, of the relevant passages	Relevant to claim No.
X	WO 96/27171 A (UNITED PARCEL SERVICE INC [US]) 6 September 1996 (1996-09-06)	1-10, 14, 15
Y	page 6, line 1 - page 17, line 20 figures	11-13
X	FR 2 865 994 A (J C DECAUX [FR]) 12 August 2005 (2005-08-12)	1, 2, 5-7, 10, 14, 15
Y	page 14, line 20 - page 16, last line figures 1, 2, 9	
Y	WO 01/71306 A (GLOBAL ENGINEERING AND TECHNOL [KR]; CHO HYUNG KI [KR]) 27 September 2001 (2001-09-27)	11-13
A	page 7, line 24 - page 12, line 1 figures	1, 6, 15
	----- -/--	

 Further documents are listed in the continuation of Box C.

 See patent family annex.

* Special categories of cited documents :

- *A* document defining the general state of the art which is not considered to be of particular relevance
 E earlier document but published on or after the international filing date
 L document which may throw doubts on priority claim(s) or which is cited to establish the publication date of another citation or other special reason (as specified)
 O document referring to an oral disclosure, use, exhibition or other means
 P document published prior to the international filing date but later than the priority date claimed

- *T* later document published after the international filing date or priority date and not in conflict with the application but cited to understand the principle or theory underlying the invention
 X document of particular relevance; the claimed invention cannot be considered novel or cannot be considered to involve an inventive step when the document is taken alone
 Y document of particular relevance; the claimed invention cannot be considered to involve an inventive step when the document is combined with one or more other such documents, such combination being obvious to a person skilled in the art.
 & document member of the same patent family

Date of the actual completion of the international search

29 October 2007

Date of mailing of the international search report

07/11/2007

Name and mailing address of the ISA/

European Patent Office, P.B. 5818 Patentlaan 2
 NL - 2280 HV Rijswijk
 Tel. (+31-70) 340-2040, Tx. 31 651 epo nl,
 Fax: (+31-70) 340-3016

Authorized officer

Miltgen, Eric

INTERNATIONAL SEARCH REPORT

International application No

PCT/US2007/005786

C(Continuation). DOCUMENTS CONSIDERED TO BE RELEVANT

Category*	Citation of document, with indication, where appropriate, of the relevant passages	Relevant to claim No.
A	US 2003/083794 A1 (HALM JUERGEN [DE] ET AL) 1 May 2003 (2003-05-01) paragraph [0025] - paragraph [0037] figures 1-3	1-15
A	US 2004/210360 A1 (DIETZ TIMOTHY ALAN [US] ET AL) 21 October 2004 (2004-10-21) paragraph [0004] - paragraph [0005] paragraph [0010] - paragraph [0014] figures	1,6,15
A	US 5 442 553 A (PARRILLO LOUIS C [US]) 15 August 1995 (1995-08-15) column 2, line 8 - column 3, line 53 column 4, line 51 - column 5, line 46 figures 1,2	1,6,15
A	US 6 927 682 B1 (TOUHEY JEFF [US] ET AL) 9 August 2005 (2005-08-09) abstract; claims; figures	1

INTERNATIONAL SEARCH REPORT

Information on patent family members

International application No

PCT/US2007/005786

Patent document cited in search report	Publication date	Patent family member(s)	Publication date
WO 9627171	A	06-09-1996	NONE
FR 2865994	A	12-08-2005	EP 1713683 A1 25-10-2006 WO 2005077740 A1 25-08-2005 JP 2007526163 T 13-09-2007 US 2007158949 A1 12-07-2007
WO 0171306	A	27-09-2001	AU 4282901 A 03-10-2001 KR 20010091797 A 23-10-2001
US 2003083794	A1	01-05-2003	DE 10153151 A1 15-05-2003 EP 1306305 A2 02-05-2003
US 2004210360	A1	21-10-2004	NONE
US 5442553	A	15-08-1995	NONE
US 6927682	B1	09-08-2005	NONE