



US00D766527S

(12) **United States Design Patent** (10) **Patent No.:** **US D766,527 S**  
**Niedzwecki et al.** (45) **Date of Patent:** **\*\* Sep. 13, 2016**

(54) **FLOOR CLEANING DEVICE**  
(71) Applicant: **Euro-Pro Operating LLC**, Newton, MA (US)  
(72) Inventors: **Scott B Niedzwecki**, Walpole, MA (US); **Dan Kestenbaum**, Brookline, MA (US)  
(73) Assignee: **SharkNinja Operating LLC**, Newton, MA (US)  
(\*\*) Term: **15 Years**  
(21) Appl. No.: **29/530,373**  
(22) Filed: **Jun. 16, 2015**  
(51) **LOC (10) Cl.** ..... **04-01**  
(52) **U.S. Cl.**  
USPC ..... **D32/45**  
(58) **Field of Classification Search**  
USPC ..... D32/35, 40, 49-53, 71-72; D8/107, D8/81-83; D7/393, 648  
CPC ..... A47L 13/12; A47L 13/16; A47L 13/20; A47L 13/24; A47L 13/144; A47L 13/146; B24D 13/045; B25B 23/16  
See application file for complete search history.

D685,557 S \* 7/2013 Rosenzweig ..... D32/45  
D685,966 S \* 7/2013 Houghton ..... D32/45  
D685,967 S \* 7/2013 Houghton ..... D32/45

(Continued)

**FOREIGN PATENT DOCUMENTS**

CN 301826896 \* 2/2012  
CN 302387310 \* 4/2013  
CN 302738945 \* 2/2014

**OTHER PUBLICATIONS**

Amazon.com—Bissell Steam Mop Hard-Floor Cleaner, online, review date Nov. 2, 2009, [http://www.amazon.com/Bissell-Steam-Hard-Floor-Cleaner-1867-7/dp/BoooRPVHZU/ref=sr\\_1\\_57?s=vacuums&ie=UTF8&qid=1459206024&sr=1-57&keywords=shark+steam+mop](http://www.amazon.com/Bissell-Steam-Hard-Floor-Cleaner-1867-7/dp/BoooRPVHZU/ref=sr_1_57?s=vacuums&ie=UTF8&qid=1459206024&sr=1-57&keywords=shark+steam+mop), [site visited Mar. 28, 2016 7:02:03 PM].\*

(Continued)

*Primary Examiner* — John Windmuller  
*Assistant Examiner* — John R Yeh  
(74) *Attorney, Agent, or Firm* — Ntellect Law, P.C.

(57) **CLAIM**  
The ornamental design for a floor cleaning device, as shown and described.

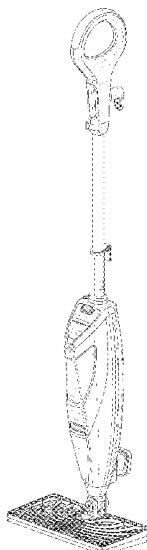
**DESCRIPTION**

FIG. 1 is a perspective view of a floor cleaning device in accordance with one embodiment of the present design; FIG. 2 is a front elevational view of FIG. 1; FIG. 3 is a rear elevational view of FIG. 1; FIG. 4 is a left side elevational view of FIG. 1; FIG. 5 is a right side elevational view of FIG. 1; FIG. 6 is a top plan view of FIG. 1; and, FIG. 7 is a bottom plan view of FIG. 1. The broken lines in the drawings are for illustrative purposes only and form no part of the claimed design.

**1 Claim, 6 Drawing Sheets**

(56) **References Cited**  
U.S. PATENT DOCUMENTS

D548,909 S \* 8/2007 Murray ..... D32/45  
D591,921 S \* 5/2009 Rosenzweig ..... D32/45  
D657,516 S \* 4/2012 McGee ..... D32/45  
D657,518 S \* 4/2012 McGee ..... D32/45  
D658,835 S \* 5/2012 Houghton ..... D32/45  
D659,924 S \* 5/2012 McGee ..... D32/45  
D660,533 S \* 5/2012 Hill ..... D32/22  
D661,034 S \* 5/2012 Ediger ..... D32/45  
D673,337 S \* 12/2012 Chow ..... D32/45  
8,425,137 B1 \* 4/2013 Sampaio ..... A47L 13/22  
401/139



(56)

**References Cited**

U.S. PATENT DOCUMENTS

D699,011 S \* 2/2014 deBlois ..... D32/45  
 D707,002 S \* 6/2014 Hughes ..... D32/45  
 D711,058 S \* 8/2014 Crawley ..... D32/45  
 D747,054 S \* 1/2016 Seifts ..... D32/45  
 2004/0071490 A1 \* 4/2004 Vosbikian ..... A47L 13/12  
 401/49  
 2007/0136984 A1 \* 6/2007 Hsu ..... A47L 5/225  
 15/339  
 2009/0320231 A1 \* 12/2009 Rosenzweig ..... A47L 13/22  
 15/339  
 2010/0050367 A1 \* 3/2010 Tsai ..... A47L 13/225  
 15/320  
 2012/0195674 A1 \* 8/2012 Mandle ..... A47L 13/12  
 401/138  
 2013/0167319 A1 \* 7/2013 Tang ..... A47L 13/225  
 15/320  
 2013/0232719 A1 \* 9/2013 Luedke ..... A47L 13/225  
 15/320

2015/0183108 A1 \* 7/2015 Thorne ..... B25G 1/06  
 15/144.1  
 2016/0058262 A1 \* 3/2016 Charlton ..... B05B 9/01  
 401/138

OTHER PUBLICATIONS

Amazon.com—Shark Professional Steam and Spray Mop System, online, review date Apr. 6, 2014, [http://www.amazon.com/Shark-Professional-Steam-Spray-System/dp/B00GXFU952/ref=sr\\_1\\_44?s=vacuums&ie=UTF8&qid=1459205332&sr=1-44&keywords=shark+steam+mop](http://www.amazon.com/Shark-Professional-Steam-Spray-System/dp/B00GXFU952/ref=sr_1_44?s=vacuums&ie=UTF8&qid=1459205332&sr=1-44&keywords=shark+steam+mop), [site visited Mar. 28, 2016 6:53:38 PM].\*

Amazon.com—Shark Steam and Spray PRO Mop, online, website copyright 2016, [http://www.amazon.com/Shark-Steam-Spray-PRO-SS460WM/dp/B018MPM9H6/ref=sr\\_1\\_96?s=vacuums&ie=UTF8&qid=1459215568&sr=1-96&keywords=steam+mop](http://www.amazon.com/Shark-Steam-Spray-PRO-SS460WM/dp/B018MPM9H6/ref=sr_1_96?s=vacuums&ie=UTF8&qid=1459215568&sr=1-96&keywords=steam+mop), [site visited Mar. 28, 2016 9:45:31 PM].\*

\* cited by examiner

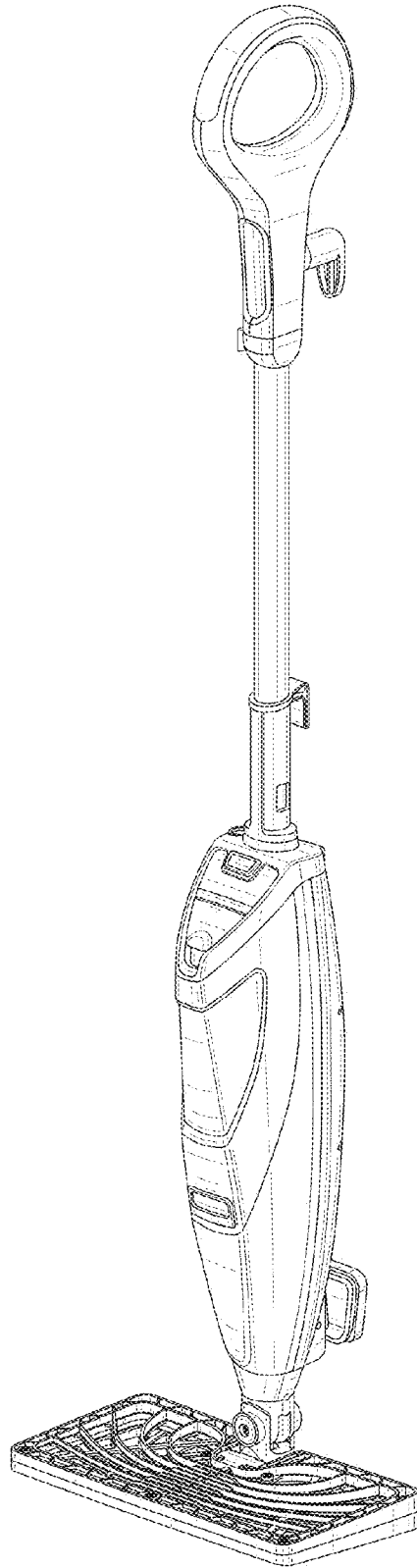


FIG. 1

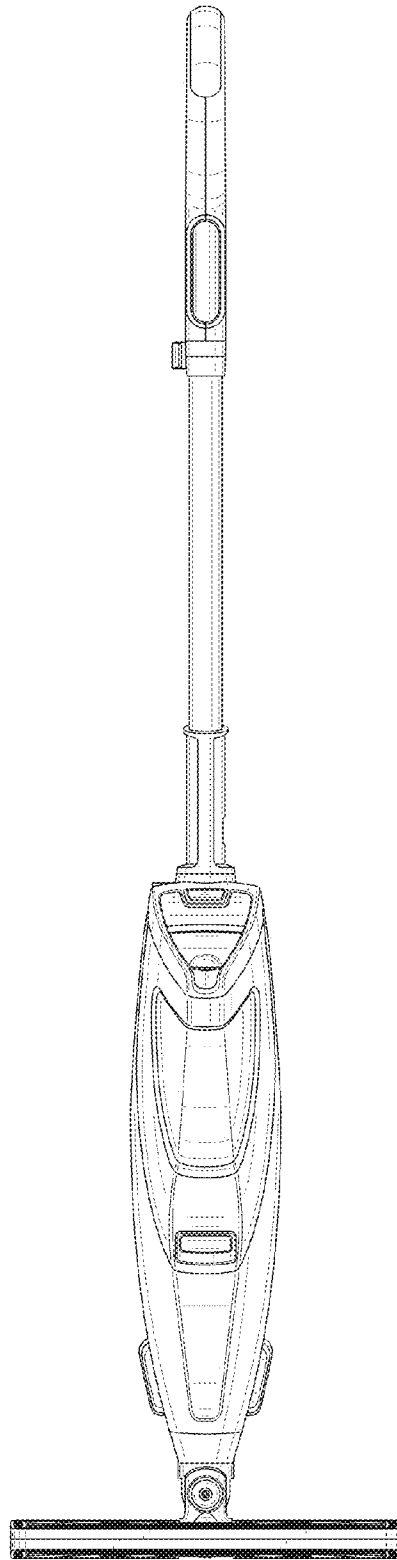


FIG. 2

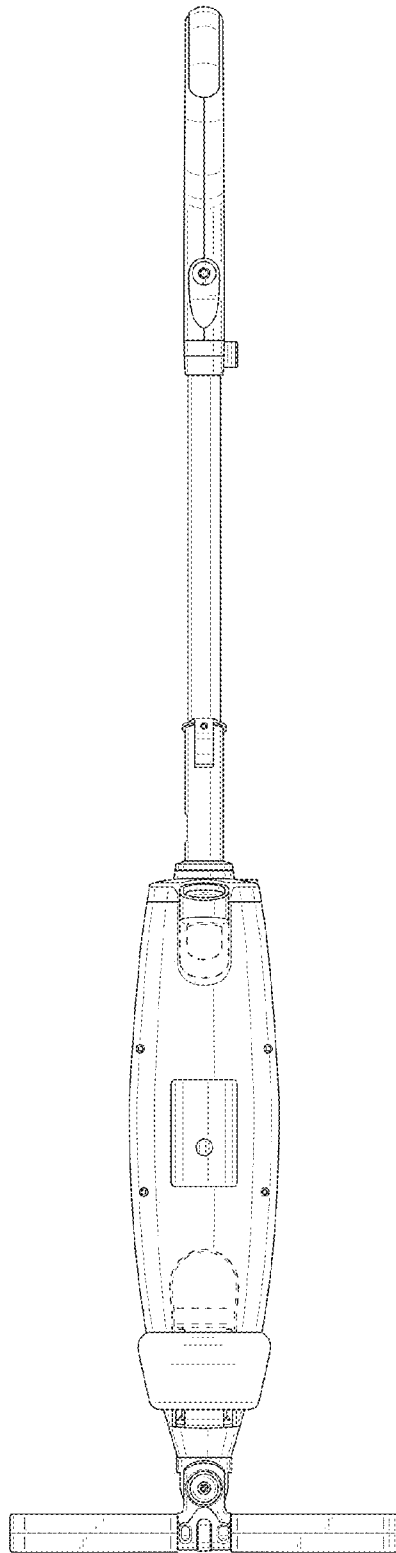


FIG. 3

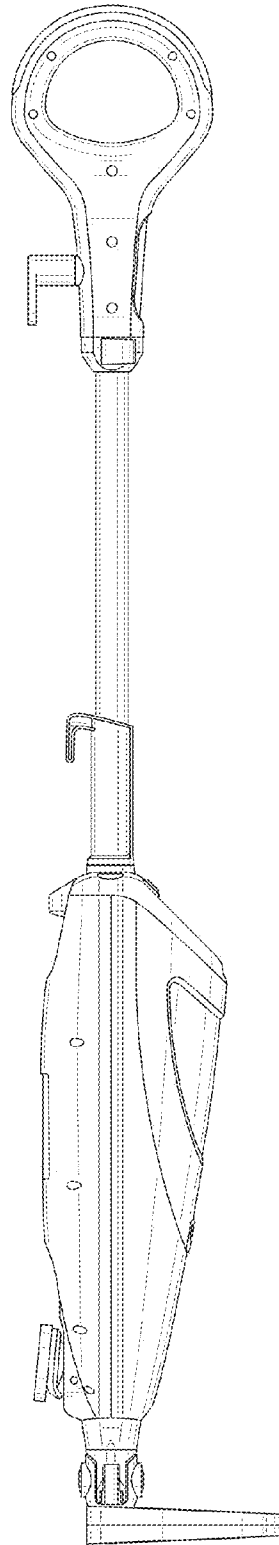


FIG. 4

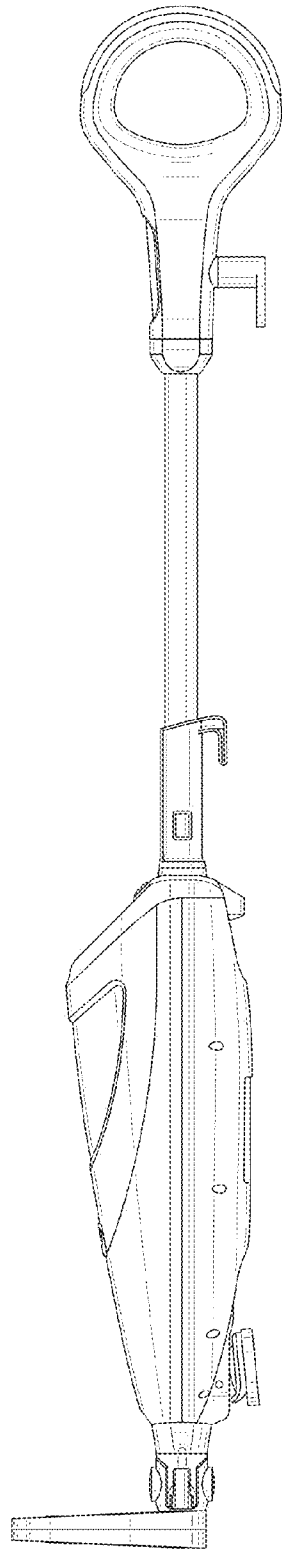


FIG. 5

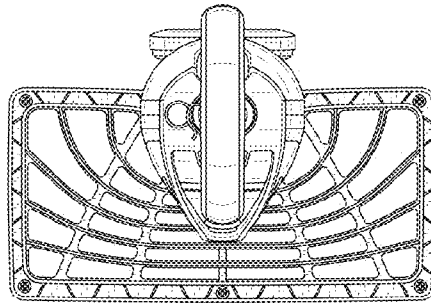


FIG. 6

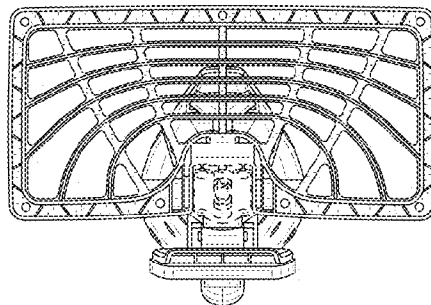


FIG. 7