



US0D1027720S

(12) **United States Design Patent**
Wang

(10) **Patent No.:** **US D1,027,720 S**

(45) **Date of Patent:** **** May 21, 2024**

(54) **FLAGPOLE BRACKET**

FOREIGN PATENT DOCUMENTS

(71) Applicant: **Jianyu Wang**, Yongkang (CN)

CN 202230346153.7 * 6/2022

(72) Inventor: **Jianyu Wang**, Yongkang (CN)

OTHER PUBLICATIONS

(**) Term: **15 Years**

Powder Coated Flag Pole Wall Mount Bracket, Date Available Oct. 9, 2021, Etsy, Site Visited on Sep. 5, 2023: <https://www.etsy.com/listing/864898054/powder-coated-flag-pole-wall-mount> (Year: 2021).*

(21) Appl. No.: **29/848,959**

(Continued)

(22) Filed: **Aug. 7, 2022**

(30) **Foreign Application Priority Data**

Primary Examiner — Gino Colan
Assistant Examiner — Nicole M. Leech
(74) *Attorney, Agent, or Firm* — Hawaii Patent Services;
Nathaniel K. Fedde; Kenton N. Fedde

Jun. 8, 2022 (CN) 202230346153.7

(51) **LOC (14) Cl.** **11-05**

(52) **U.S. Cl.**

USPC **D11/182**

(58) **Field of Classification Search**

USPC D11/165–166, 181–184; D8/349, 354,
D8/373, 376, 380; D20/16–17, 41–43;
D22/147–148; D6/513

CPC . A47H 1/142; G09F 17/00; G09F 2017/0008;
G09F 2017/0025; G09F 2017/0041; G09F
2017/005; G09F 2017/0058; G09F
2017/0066; G09F 2017/0075; G09F
2017/0083

See application file for complete search history.

(57) **CLAIM**

The ornamental design for a flagpole bracket, as shown and described.

DESCRIPTION

FIG. 1 is a perspective view of a flagpole bracket showing my new design;
FIG. 2 is another perspective view thereof;
FIG. 3 is a front elevation view thereof;
FIG. 4 is a rear elevation view thereof;
FIG. 5 is a left side elevation view thereof;
FIG. 6 is a right side elevation view thereof;
FIG. 7 is a top plan view thereof;
FIG. 8 is a bottom plan view thereof; and,
FIG. 9 is a cross-sectional view thereof, taken along lines 9-9 in FIG. 3.

The broken lines in FIGS. 1 through 7 represent portions of the flagpole bracket that form no part of the claimed design. The other broken lines in FIG. 3 represent cross sectional indicia only and form no part of the claimed design.

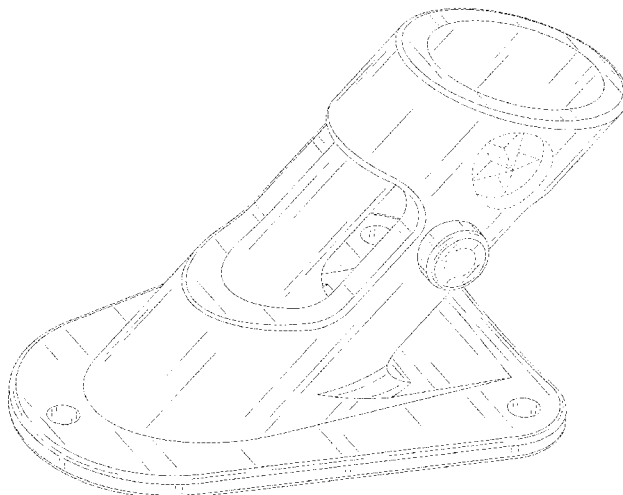
(56) **References Cited**

U.S. PATENT DOCUMENTS

D46,417 S *	9/1914	Tice	D11/182
D200,407 S *	2/1965	Wessel	D8/380
3,273,273 A *	9/1966	McLarty	G09F 17/00
				116/173
D230,730 S *	3/1974	Ingram	D22/147
3,920,207 A *	11/1975	Adamaitis	A01K 97/10
				224/907
4,803,794 A *	2/1989	Lopez	A01K 97/10
				248/538
D335,031 S *	4/1993	Resnik	D3/221
5,568,784 A *	10/1996	Willis	G09F 17/00
				403/3

(Continued)

1 Claim, 9 Drawing Sheets



(56)

References Cited

U.S. PATENT DOCUMENTS

D411,097 S * 6/1999 Brousseau D8/349
D448,717 S * 10/2001 Hanson D12/162
D476,919 S * 7/2003 Vidmar D11/182
7,316,087 B1 * 1/2008 Smith G09F 17/00
40/643
8,327,575 B1 * 12/2012 Zalewski A01K 97/10
248/538
D752,305 S * 3/2016 DePietro D8/376
D829,598 S * 10/2018 Sanderson, Jr. D11/182
D986,769 S * 5/2023 Xu D11/182
2003/0098404 A1 * 5/2003 Fox F16M 11/041
248/538
2003/0183739 A1 * 10/2003 Fox G09F 17/00
248/537

OTHER PUBLICATIONS

Flag Pole Kit, Date Available Oct. 10, 2021, Amazon CA, Site Visited on Sep. 5, 2023: <https://www.amazon.ca/OYYQ-Professional-Residential-Commercial-Two-Position/dp/B09BFY43BL/> (Year: 2021).*

Professional Grade Wall Flag Pole, Date Available Nov. 24, 2020, Liberty Flagpoles, Site Visited on Sep. 5, 2023: <https://www.libertyflagpoles.com/products/professional-grade-off-wall-flag-pole-with-us-flag> (Year: 2020).*

* cited by examiner

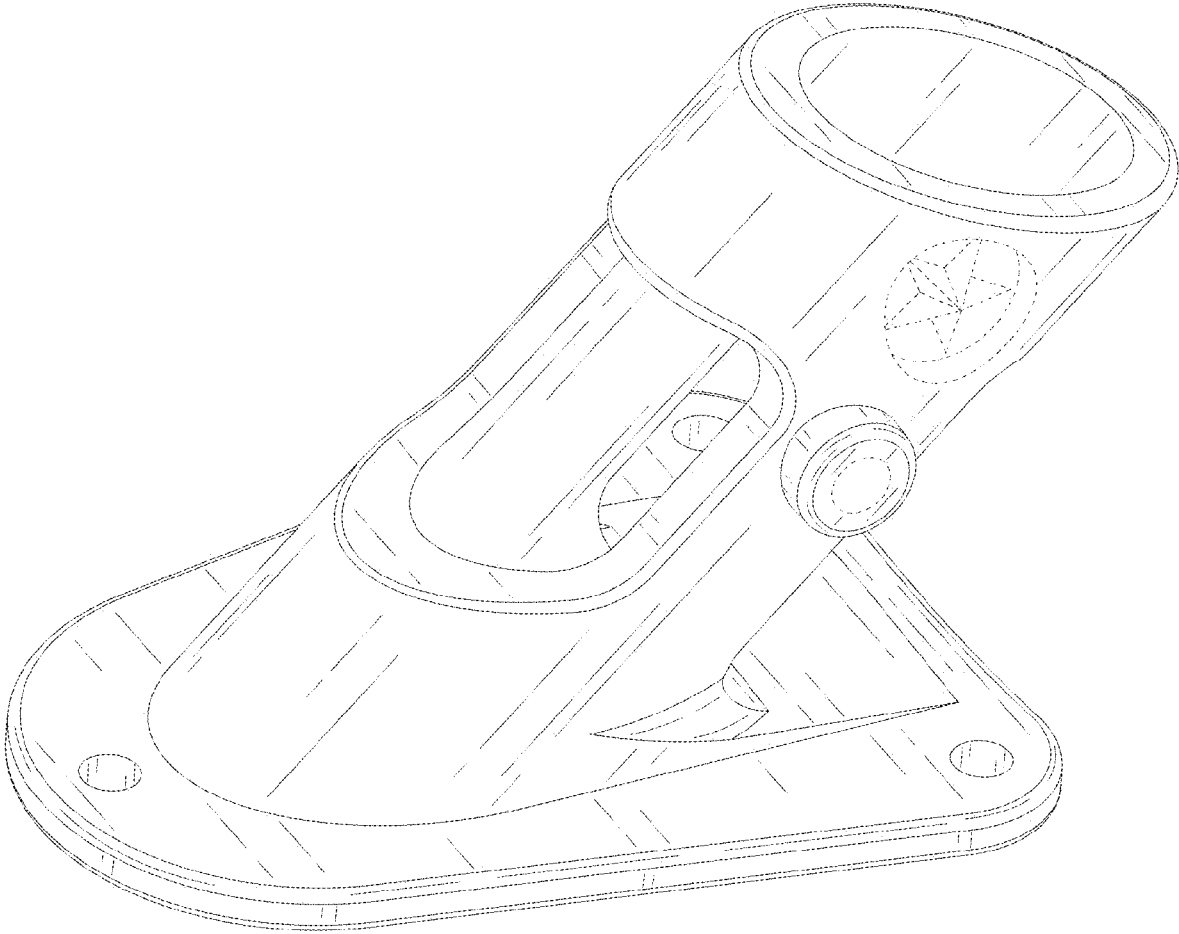


FIG. 1

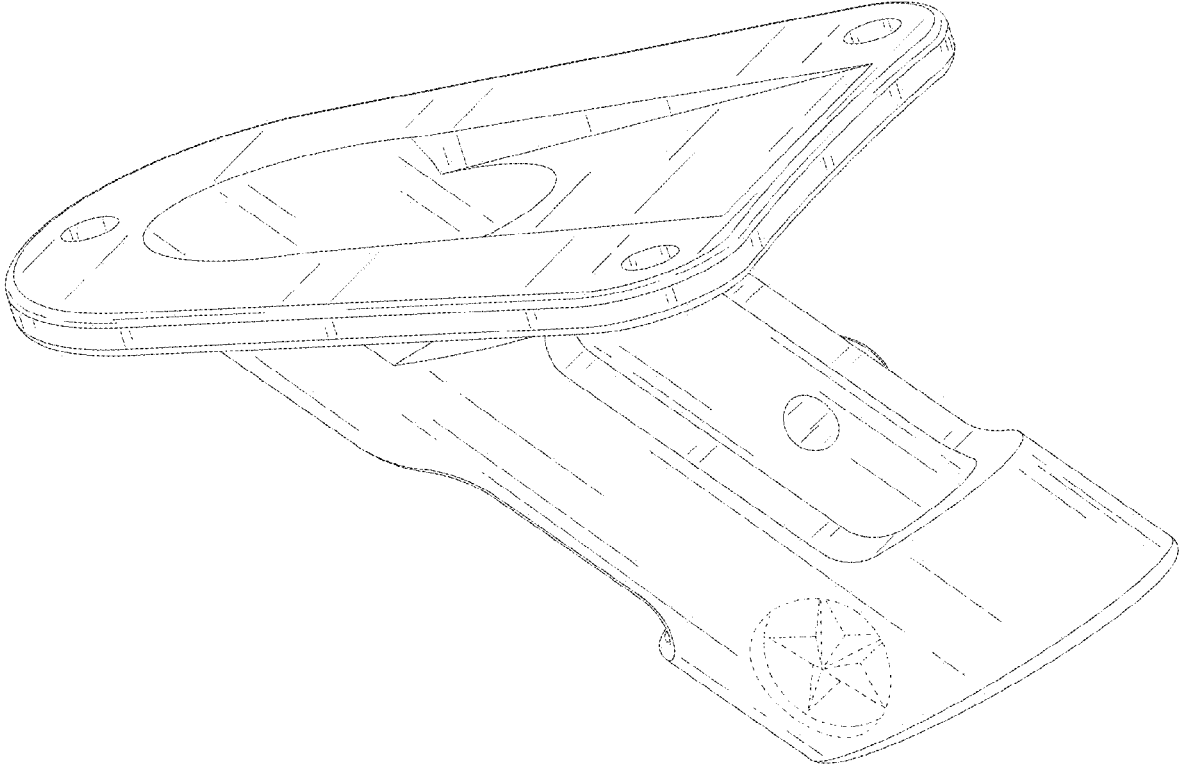


FIG. 2

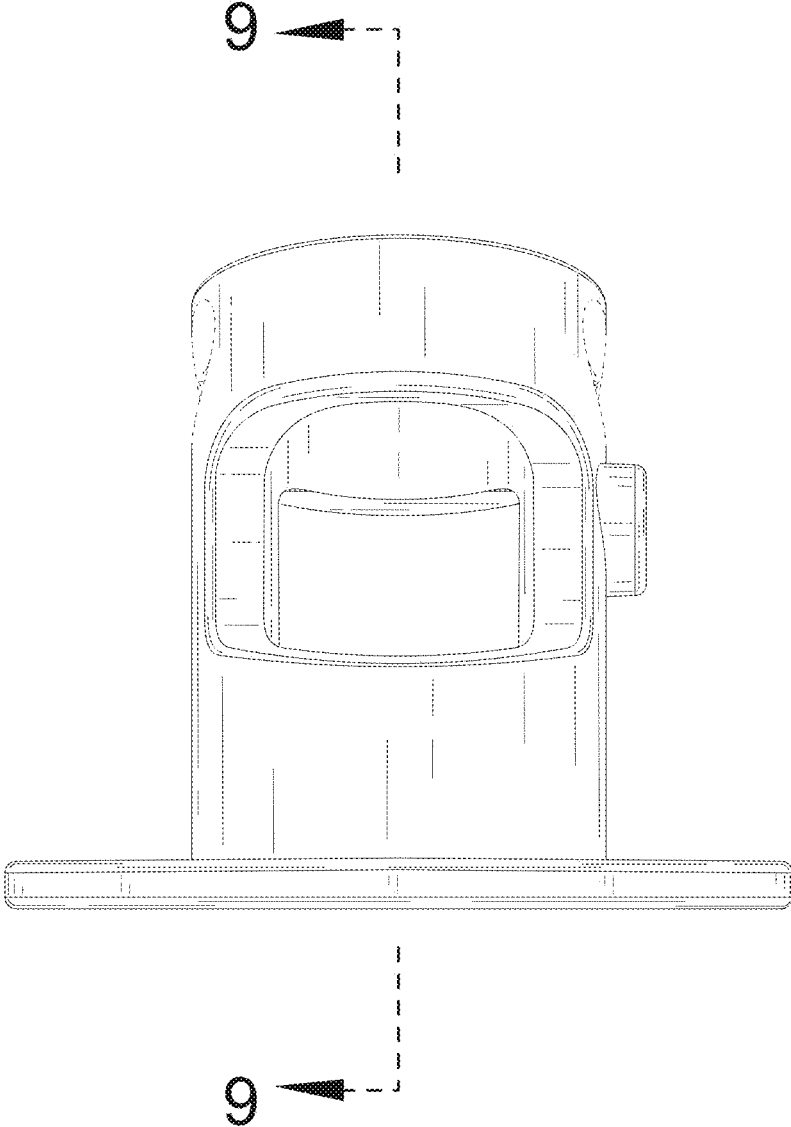


FIG. 3

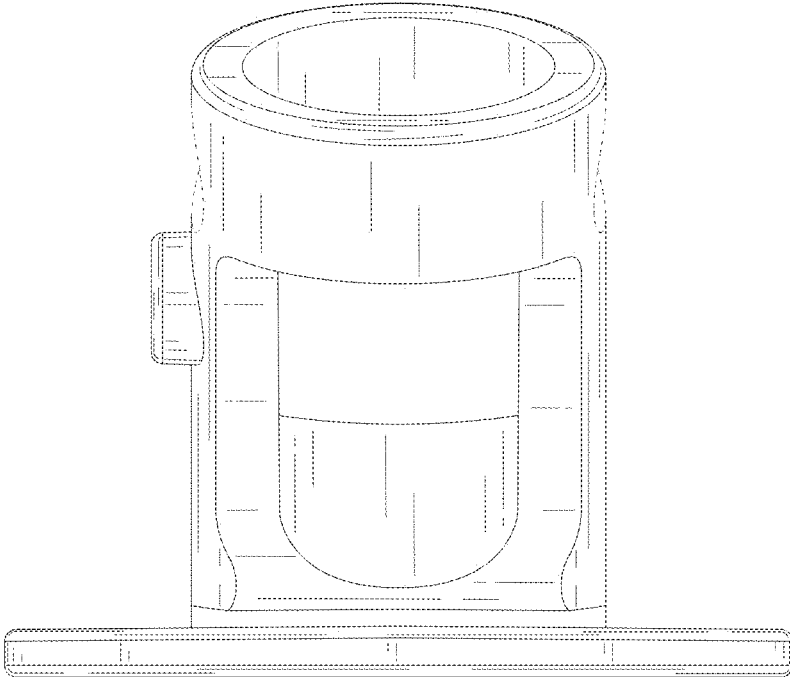


FIG. 4

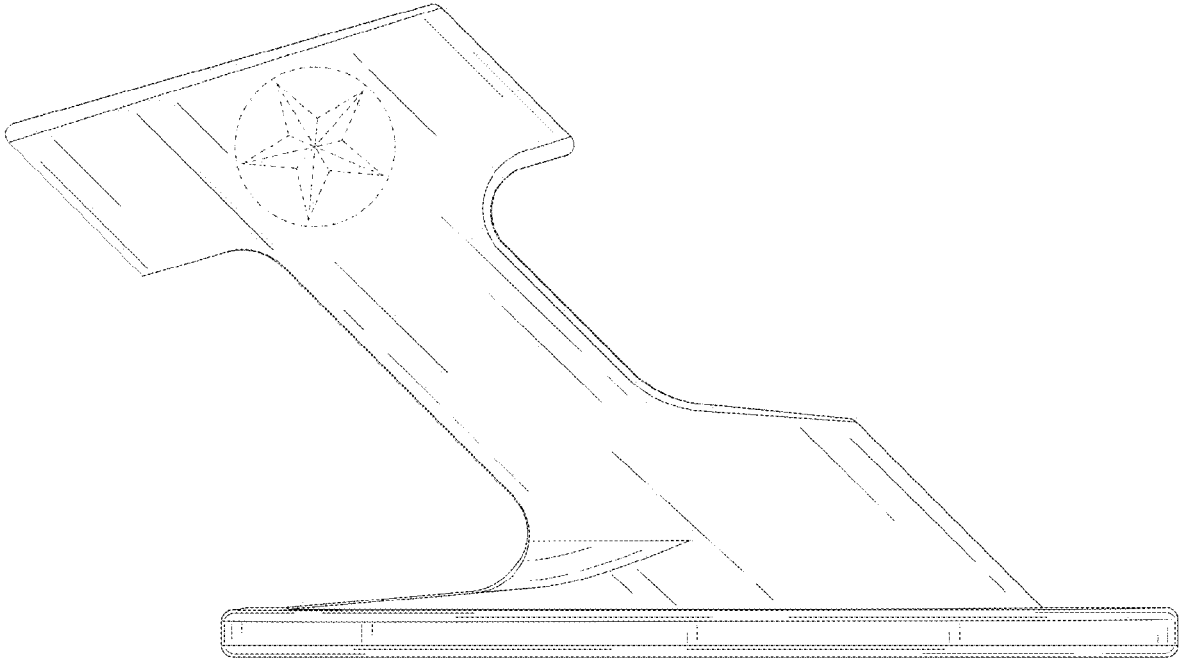


FIG. 5

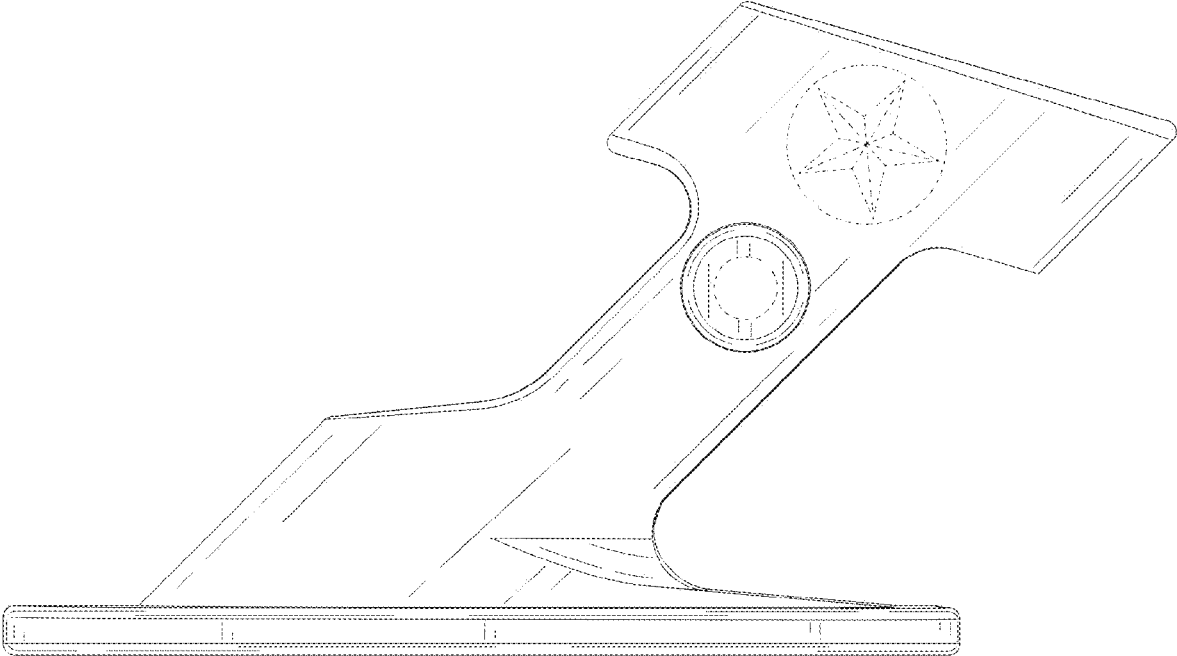


FIG. 6

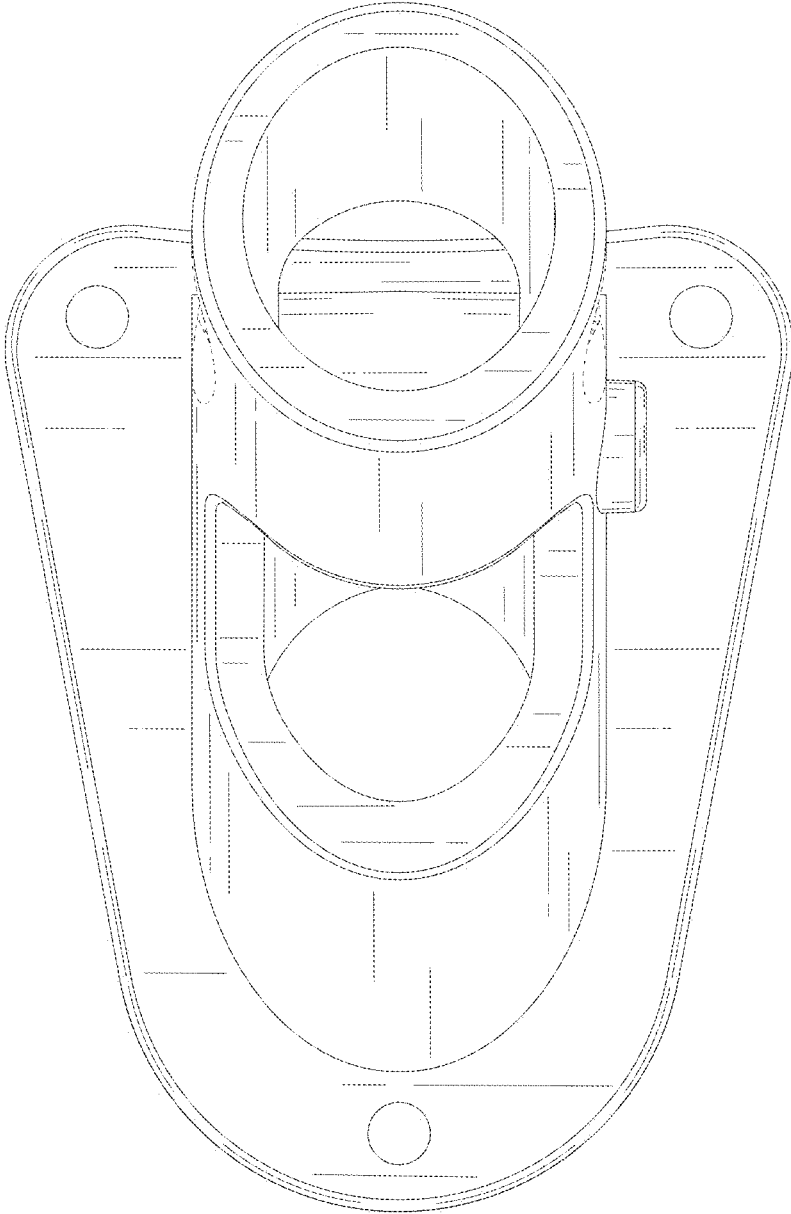


FIG. 7

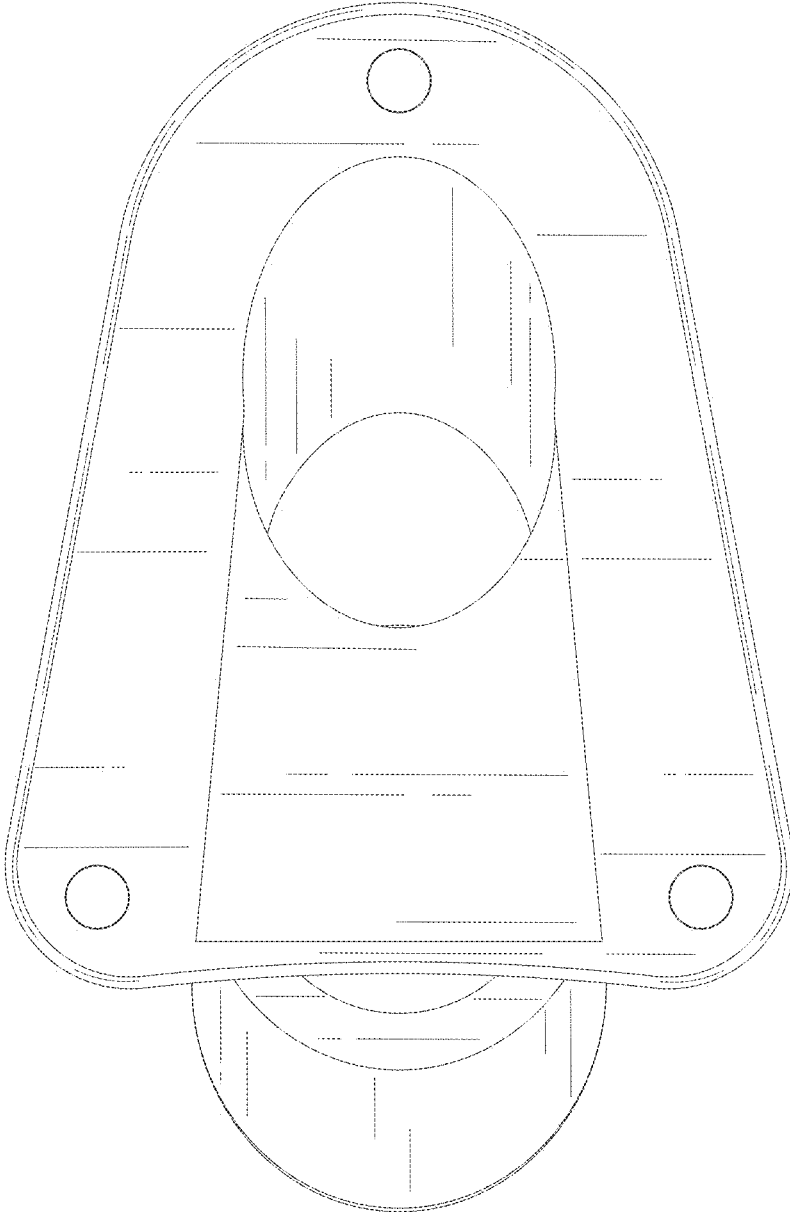


FIG. 8

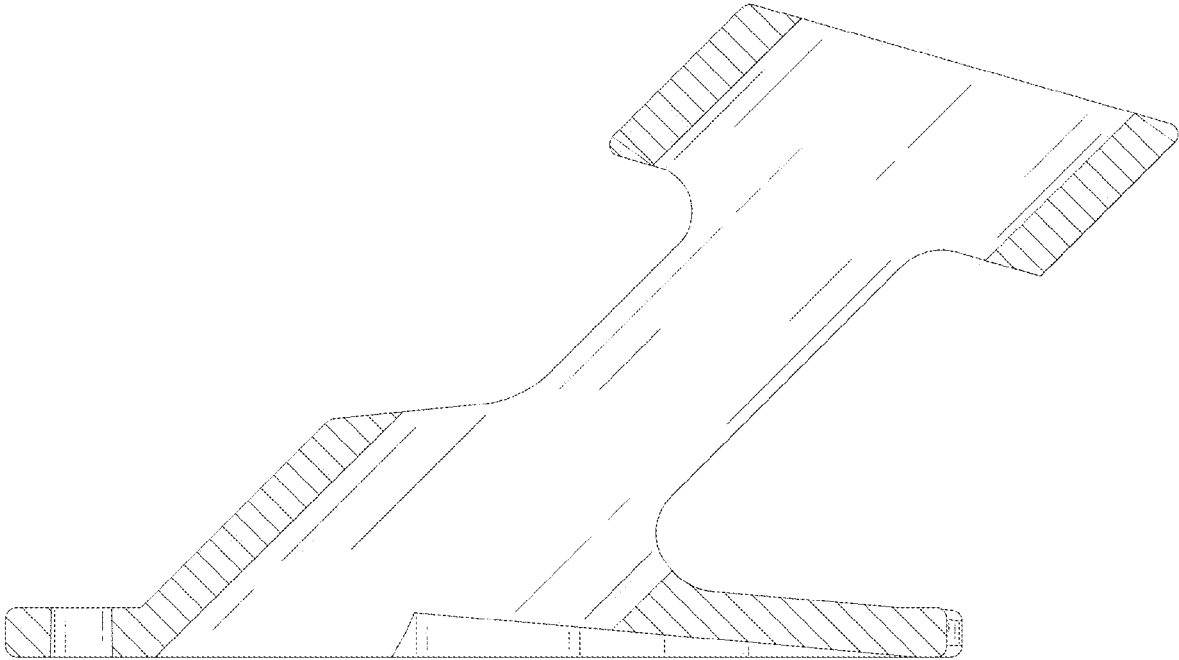


FIG. 9