



US00D766092S

(12) **United States Design Patent**
Maillet et al.

(10) **Patent No.:** **US D766,092 S**

(45) **Date of Patent:** **** Sep. 13, 2016**

(54) **BOTTLE**

(71) Applicants: **Régis Maillet**, Feuquieres (FR); **David Delbreuve**, Feuquieres (FR)

(72) Inventors: **Régis Maillet**, Feuquieres (FR); **David Delbreuve**, Feuquieres (FR)

(73) Assignee: **Saverglass Inc.**, Ramsey, NJ (US)

(**) Term: **15 Years**

(21) Appl. No.: **29/542,763**

(22) Filed: **Oct. 16, 2015**

Related U.S. Application Data

(62) Division of application No. 29/467,718, filed on Sep. 23, 2013, now Pat. No. Des. 756,795.

(51) **LOC (10) Cl.** **09-01**

(52) **U.S. Cl.**

USPC **D9/560**; D9/544; D9/574

(58) **Field of Classification Search**

USPC D7/300, 300.1, 598

CPC B65D 1/00; B65D 1/02; B65D 1/0223;

B65D 23/00; B65D 81/00; B65D 2501/00;

B65D 2501/0009; B65D 2501/0081

See application file for complete search history.

(56) **References Cited**

U.S. PATENT DOCUMENTS

D387,668 S * 12/1997 Bond D9/520

D391,494 S * 3/1998 Bond D9/546

D491,470 S *	6/2004	Yang	D9/544
D545,205 S *	6/2007	Rica	D9/544
D555,488 S *	11/2007	Marton	D9/544
D561,039 S *	2/2008	Del Bon	D9/544
D598,777 S *	8/2009	Belke	D9/544
D602,368 S *	10/2009	Rica	D9/544
D606,409 S *	12/2009	Rica	D9/516
D700,057 S *	2/2014	Gonzalez Rodriguez	D9/544
D730,191 S *	5/2015	Hardy	D9/454
D745,409 S *	12/2015	Lecetre	D9/574

* cited by examiner

Primary Examiner — Dana L Meyrow

(74) *Attorney, Agent, or Firm* — Fross Zelnick Lehrman & Zissu, P.C.; Charles T. J. Weigell, Esq.

(57) **CLAIM**

The ornamental design for a bottle, as shown and described.

DESCRIPTION

FIG. 1 is a front elevation view of a bottle showing my new design, the left side, right side and rear elevation views being identical;

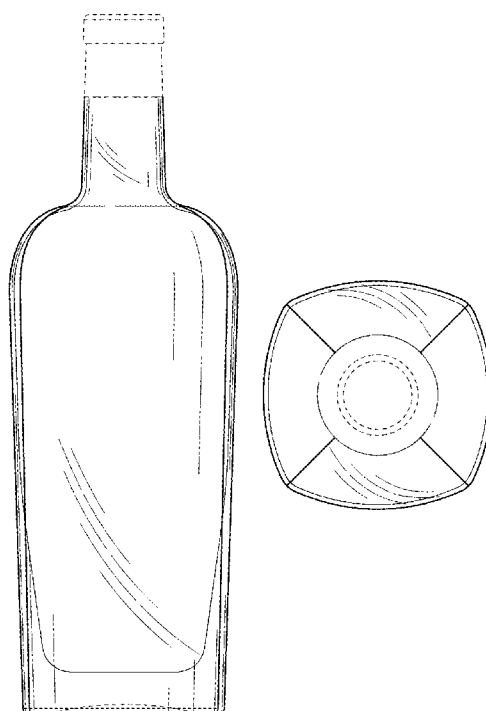
FIG. 2 is a top perspective view thereof;

FIG. 3 is a top plan view thereof, the opposing side details seen through the transparent material being omitted for ease of understanding; and,

FIG. 4 is a bottom plan view thereof.

The evenly-dashed broken lines in the drawings showing the bottle pour spout, top portion of the bottle neck, and the bottom surface recess illustrate the portions of the design that form no part of the claim. The short dash-long dash broken lines in the drawings define the bounds of the claim and form no part thereof.

1 Claim, 1 Drawing Sheet



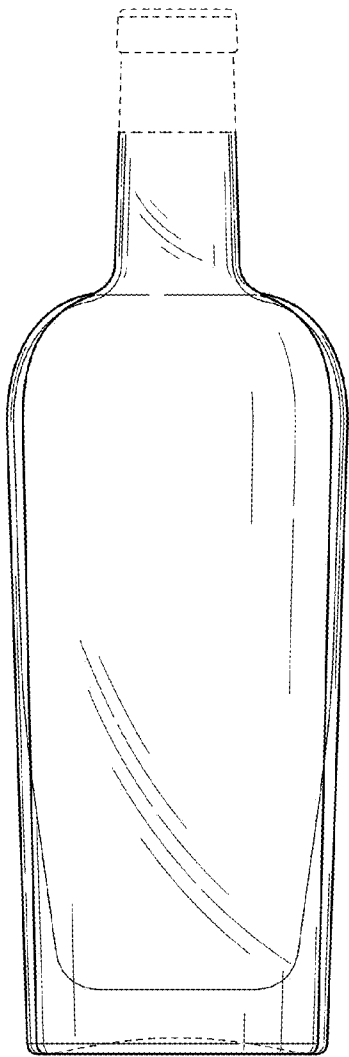


FIG. 1

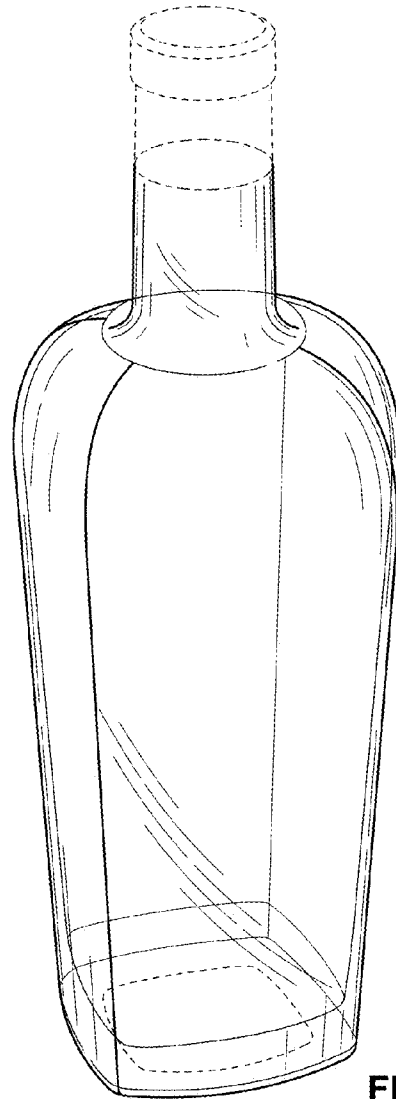


FIG. 2

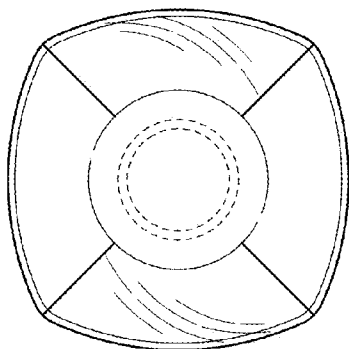


FIG. 3

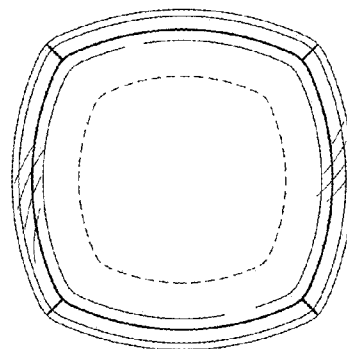


FIG. 4