

(19) World Intellectual Property Organization
International Bureau



(43) International Publication Date
22 June 2006 (22.06.2006)

PCT

(10) International Publication Number
WO 2006/066176 A3

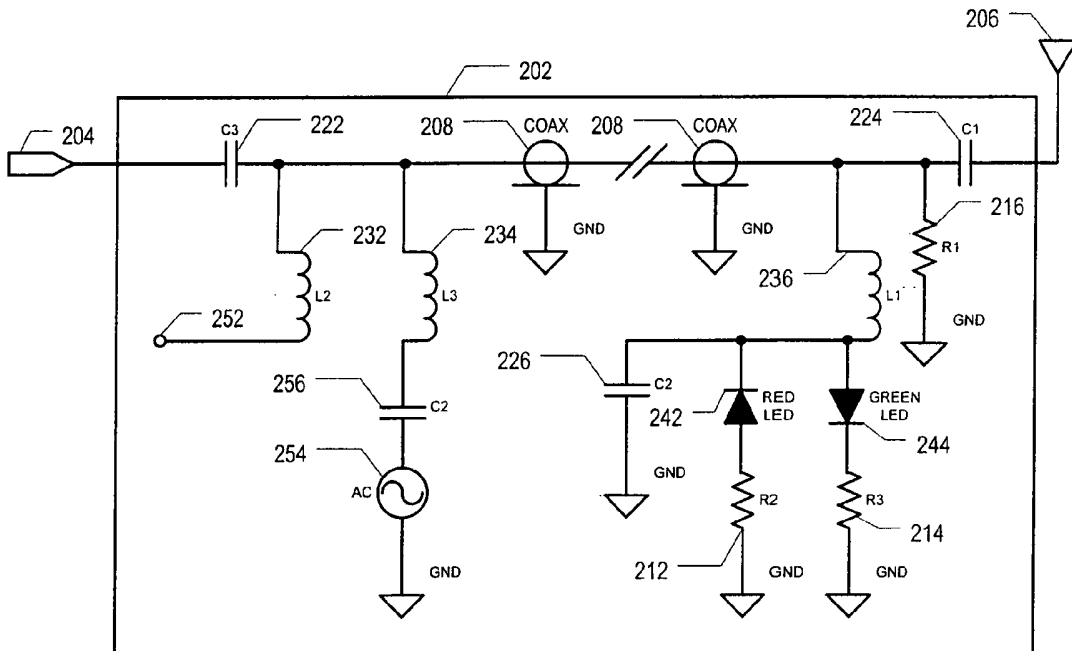
- (51) International Patent Classification:
G06K 7/00 (2006.01)
- (21) International Application Number:
PCT/US2005/045870
- (22) International Filing Date:
15 December 2005 (15.12.2005)
- (25) Filing Language: English
- (26) Publication Language: English
- (30) Priority Data:
11/014,939 17 December 2004 (17.12.2004) US
- (71) Applicant (for all designated States except US): INTEL CORPORATION [US/US]; 2200 Mission College Boulevard, Santa Clara, California 95052 (US).
- (72) Inventor; and
- (75) Inventor/Applicant (for US only): POSAMENTIER, Joshua [US/US]; 1386 Holman, Oakland, California 94610 (US).
- (74) Agents: VINCENT, Lester, J. et al.; BLAKELY SOKOLOFF TAYLOR & ZAFMAN, 12400 Wilshire Boulevard, 7th Floor, Los Angeles, CA 950025 (US).

- (81) Designated States (unless otherwise indicated, for every kind of national protection available): AE, AG, AL, AM, AT, AU, AZ, BA, BB, BG, BR, BW, BY, BZ, CA, CH, CN, CO, CR, CU, CZ, DE, DK, DM, DZ, EC, EE, EG, ES, FI, GB, GD, GE, GH, GM, HR, HU, ID, IL, IN, IS, JP, KE, KG, KM, KN, KP, KR, KZ, LC, LK, LR, LS, LT, LU, LV, LY, MA, MD, MG, MK, MN, MW, MX, MZ, NA, NG, NI, NO, NZ, OM, PG, PH, PL, PT, RO, RU, SC, SD, SE, SG, SK, SL, SM, SY, TJ, TM, TN, TR, TT, TZ, UA, UG, US, UZ, VC, VN, YU, ZA, ZM, ZW.
- (84) Designated States (unless otherwise indicated, for every kind of regional protection available): ARIPO (BW, GH, GM, KE, LS, MW, MZ, NA, SD, SL, SZ, TZ, UG, ZM, ZW), Eurasian (AM, AZ, BY, KG, KZ, MD, RU, TJ, TM), European (AT, BE, BG, CH, CY, CZ, DE, DK, EE, ES, FI, FR, GB, GR, HU, IE, IS, IT, LT, LU, LV, MC, NL, PL, PT, RO, SE, SI, SK, TR), OAPI (BF, BJ, CF, CG, CI, CM, GA, GN, GQ, GW, ML, MR, NE, SN, TD, TG).

- Published:
— with international search report
- (88) Date of publication of the international search report:
31 August 2006

For two-letter codes and other abbreviations, refer to the "Guidance Notes on Codes and Abbreviations" appearing at the beginning of each regular issue of the PCT Gazette.

(54) Title: RFID ANTENNA ASSEMBLY WITH INTEGRATED STATUS INDICATOR



(57) Abstract: According to some embodiments, indicator circuitry is integrated into a coaxial antenna cable of a radio frequency identification (RFID) reader. The indicator circuitry includes an injected DC offset to power one or more visual or audio indicators without interfering with a radio frequency (RF) signal received or transmitted on the antenna.

WO 2006/066176 A3

INTERNATIONAL SEARCH REPORT

International application No
PCT/US2005/045870

A. CLASSIFICATION OF SUBJECT MATTER INV. G06K7/00		
According to International Patent Classification (IPC) or to both national classification and IPC		
B. FIELDS SEARCHED		
Minimum documentation searched (classification system followed by classification symbols) G06K		
Documentation searched other than minimum documentation to the extent that such documents are included in the fields searched		
Electronic data base consulted during the international search (name of data base and, where practical, search terms used) EPO-Internal, PAJ, WPI Data, INSPEC, IBM-TDB		
C. DOCUMENTS CONSIDERED TO BE RELEVANT		
Category*	Citation of document, with indication, where appropriate, of the relevant passages	Relevant to claim No.
X	PATENT ABSTRACTS OF JAPAN vol. 1998, no. 03, 27 February 1998 (1998-02-27) & JP 09 298414 A (MASPRO DENKOH CORP), 18 November 1997 (1997-11-18) abstract	1-27
X	PATENT ABSTRACTS OF JAPAN vol. 014, no. 241 (E-0931), 22 May 1990 (1990-05-22) & JP 02 065496 A (MATSUSHITA ELECTRIC IND CO LTD), 6 March 1990 (1990-03-06) abstract	1-3
A	US 3 720 874 A (GORCIK S,US ET AL) 13 March 1973 (1973-03-13) the whole document	4, 14
<input type="checkbox"/> Further documents are listed in the continuation of Box C. <input checked="" type="checkbox"/> See patent family annex.		
* Special categories of cited documents :		
A document defining the general state of the art which is not considered to be of particular relevance *E* earlier document but published on or after the international filing date *L* document which may throw doubts on priority claim(s) or which is cited to establish the publication date of another citation or other special reason (as specified) *O* document referring to an oral disclosure, use, exhibition or other means *P* document published prior to the international filing date but later than the priority date claimed		*T* later document published after the international filing date or priority date and not in conflict with the application but cited to understand the principle or theory underlying the invention *X* document of particular relevance; the claimed invention cannot be considered novel or cannot be considered to involve an inventive step when the document is taken alone *Y* document of particular relevance; the claimed invention cannot be considered to involve an inventive step when the document is combined with one or more other such documents, such combination being obvious to a person skilled in the art. *&* document member of the same patent family
Date of the actual completion of the international search 20 April 2006		Date of mailing of the international search report 27/04/2006
Name and mailing address of the ISA/ European Patent Office, P.B. 5818 Patentlaan 2 NL - 2280 HV Rijswijk Tel. (+31-70) 340-2040, Tx. 31 651 epo nl, Fax: (+31-70) 340-3016		Authorized officer Goossens, A

INTERNATIONAL SEARCH REPORT

Information on patent family members

International application No

PCT/US2005/045870

Patent document cited in search report		Publication date	Patent family member(s)	Publication date
JP 09298414	A	18-11-1997	NONE	
JP 02065496	A	06-03-1990	JP 2022231 C JP 7050955 B	26-02-1996 31-05-1995
US 3720874	A	13-03-1973	NONE	