



US00D767710S

(12) **United States Design Patent**
Zahorski

(10) **Patent No.:** **US D767,710 S**

(45) **Date of Patent:** **** Sep. 27, 2016**

(54) **RING**

(71) Applicant: **Vance P Zahorski**, Pflugerville, TX
(US)

(72) Inventor: **Vance P Zahorski**, Pflugerville, TX
(US)

(**) Term: **14 Years**

(21) Appl. No.: **29/522,693**

(22) Filed: **Apr. 1, 2015**

(51) **LOC (10) Cl.** **22-05**

(52) **U.S. Cl.**
USPC **D22/149**

(58) **Field of Classification Search**
USPC D22/134, 149, 199; 43/25; 30/286, 294,
30/296.1; D8/95-99
CPC A01K 97/00; B26B 27/00
See application file for complete search history.

(56) **References Cited**

U.S. PATENT DOCUMENTS

1,165,697 A	12/1915	Morrell	
2,707,828 A	5/1955	Stewart	
4,726,140 A *	2/1988	Mears A01K 97/00
			43/25
4,730,409 A *	3/1988	Mitchell A01K 97/00
			30/296.1
4,896,422 A	1/1990	Sheehan et al.	
D332,651 S *	1/1993	Sugerman D22/134
6,029,387 A	2/2000	Swor	
D457,934 S *	5/2002	Le Coq D22/149

D665,869 S *	8/2012	Kuhlmann D22/149
2002/0124417 A1	9/2002	De La Cruz	
2006/0060040 A1	3/2006	Wichner	
2010/0050690 A1	3/2010	Woodward	
2010/0299941 A1	12/2010	Marlin	
2013/0031935 A1	2/2013	Kelleghan	

FOREIGN PATENT DOCUMENTS

DE 102006023334 B4 4/2008

* cited by examiner

Primary Examiner — Catheri Oliver-Garcia
(74) *Attorney, Agent, or Firm* — Thomas W. Galvani, P.C.;
Thomas W. Galvani

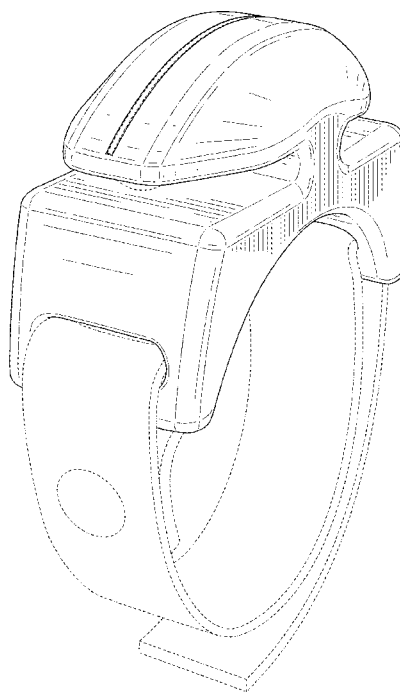
(57) **CLAIM**

The ornamental design for a ring, as shown and described.

DESCRIPTION

FIG. 1 is a top perspective view of a ring shown in accordance with my new design;
FIG. 2 is a bottom perspective view of the ring of FIG. 1;
FIG. 3 is a top plan view of the ring of FIG. 1;
FIG. 4 is a bottom plan view of the ring of FIG. 1;
FIG. 5 is a right side elevation view of the ring of FIG. 1;
FIG. 6 is a left side elevation view of the ring of FIG. 1;
FIG. 7 is a front elevation view of the ring of FIG. 1; and,
FIG. 8 is a rear elevation of the ring of FIG. 1.
The features shown in broken lines form no part of the claimed design.

1 Claim, 7 Drawing Sheets



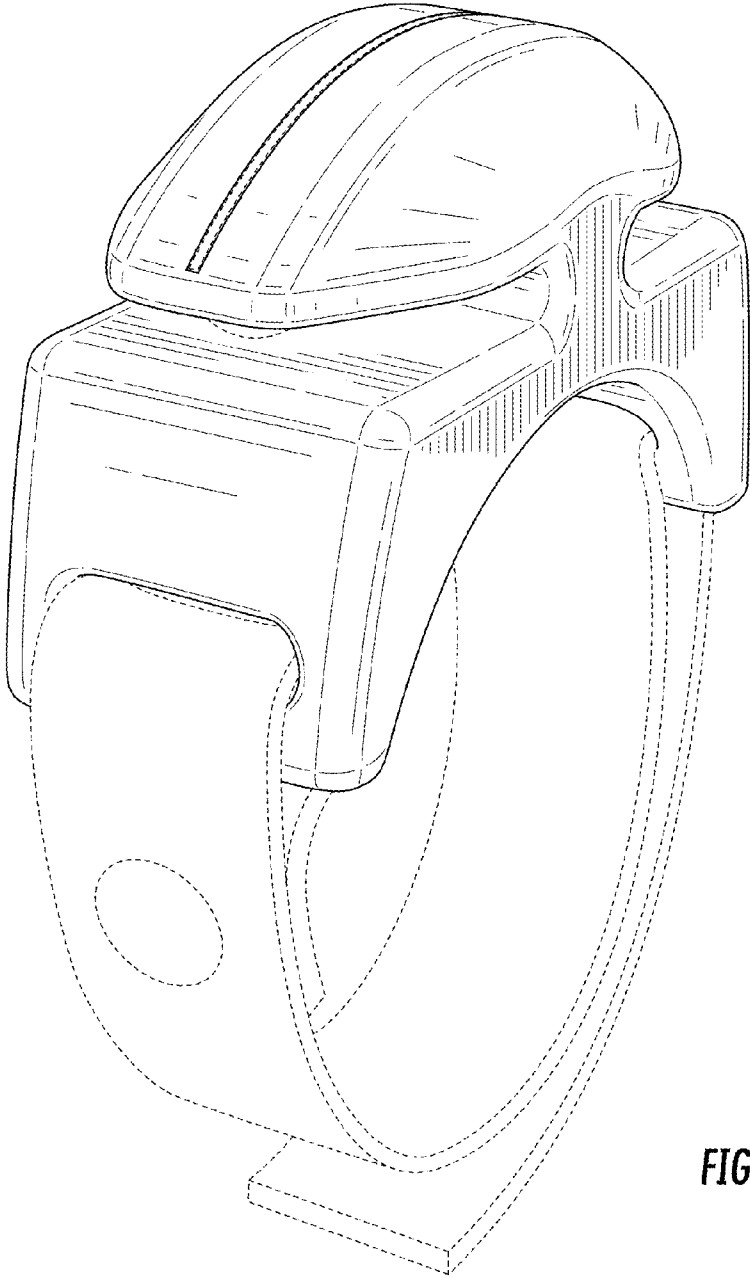


FIG. 1

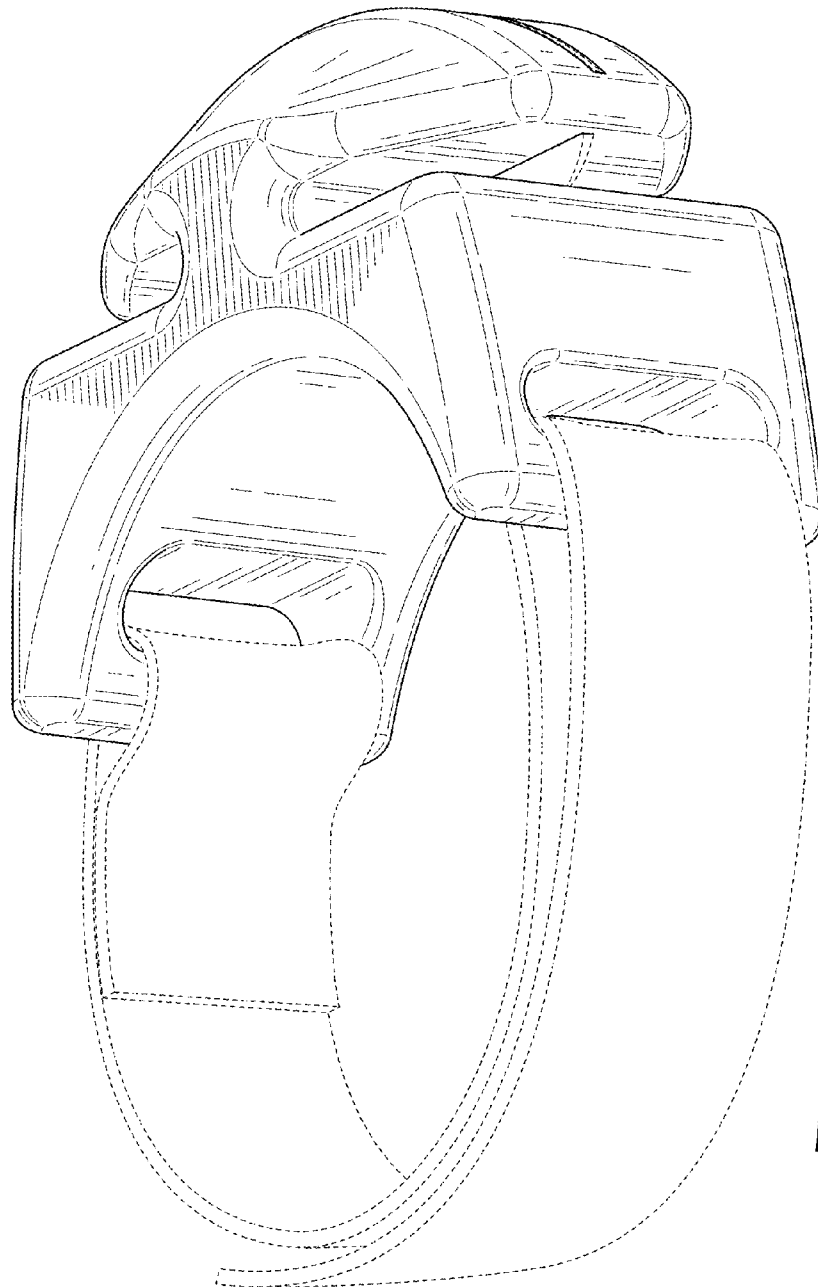


FIG. 2

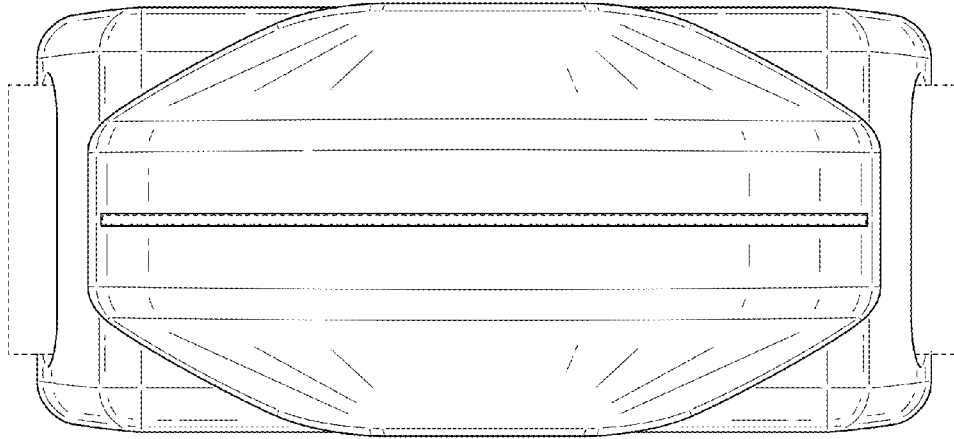


FIG. 3

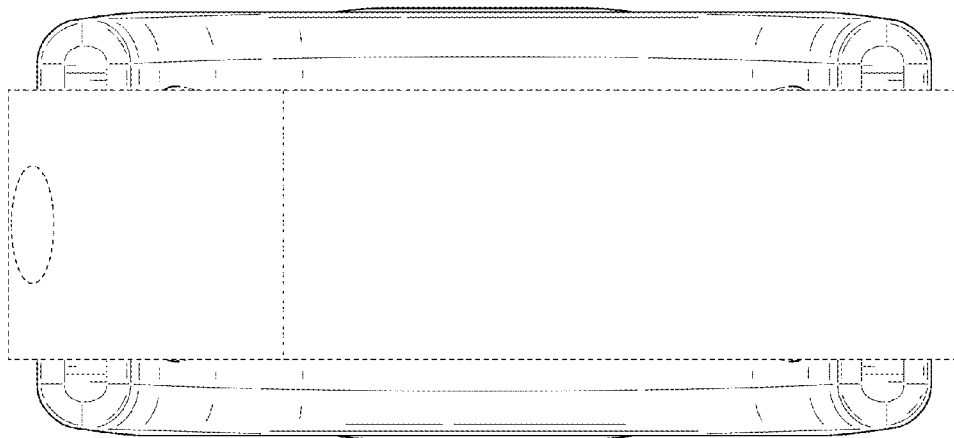


FIG. 4

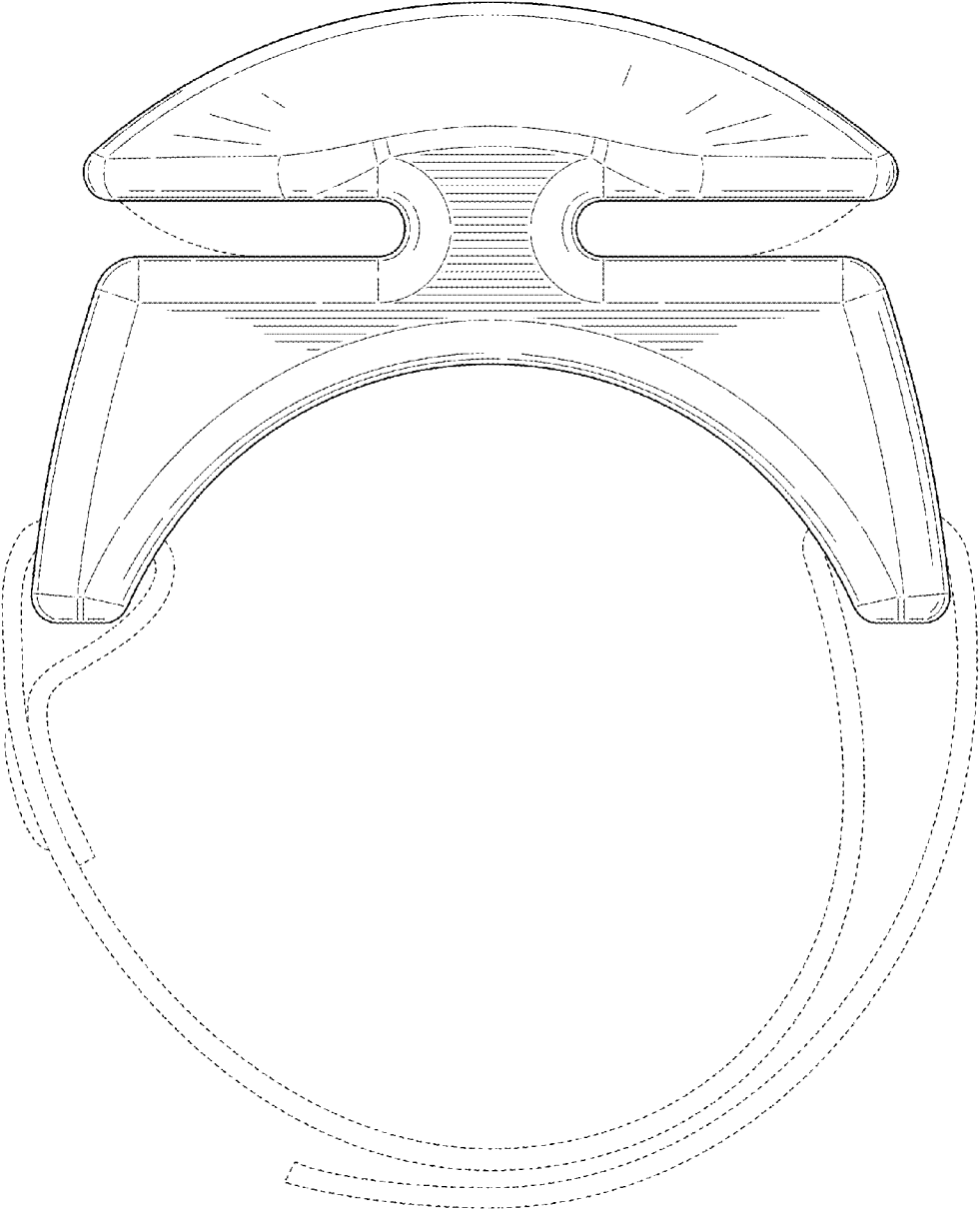


FIG. 5

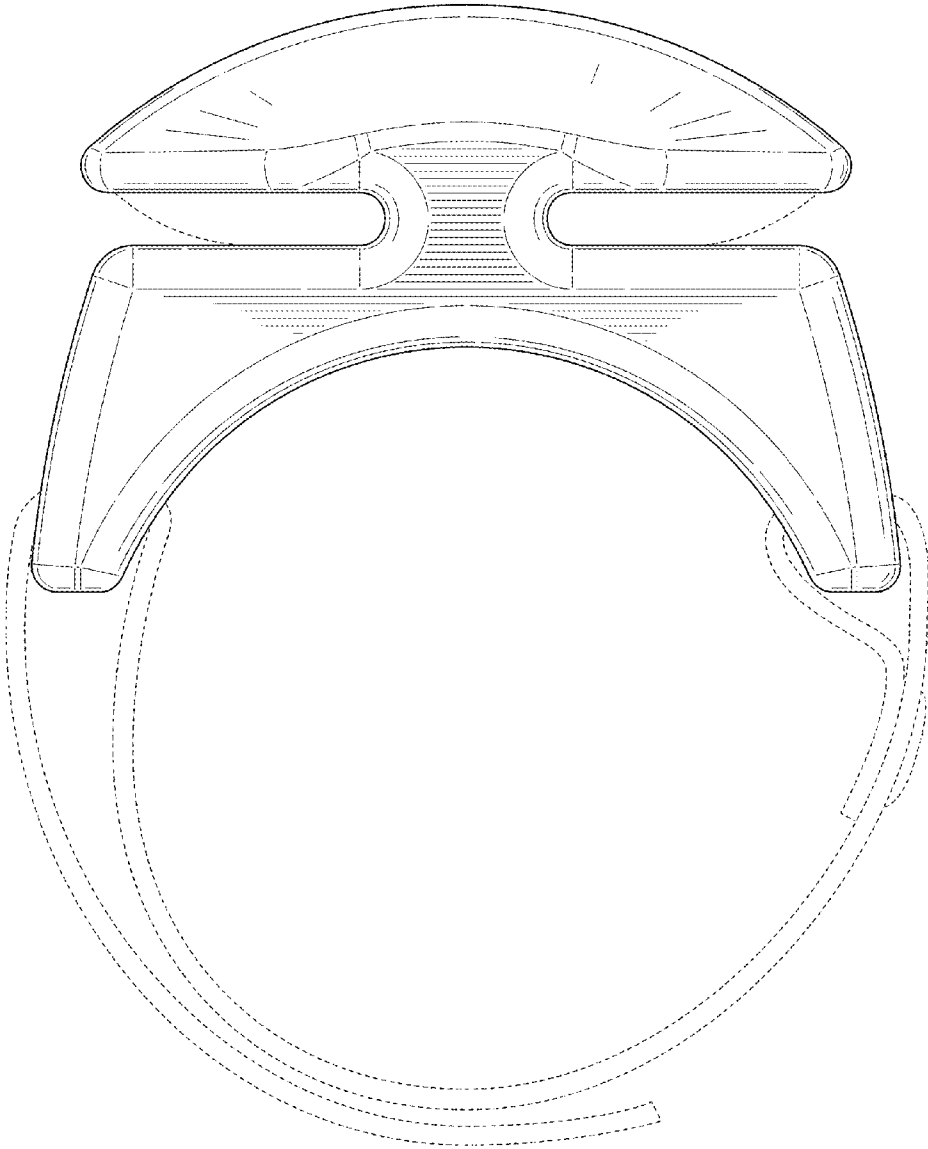


FIG. 6

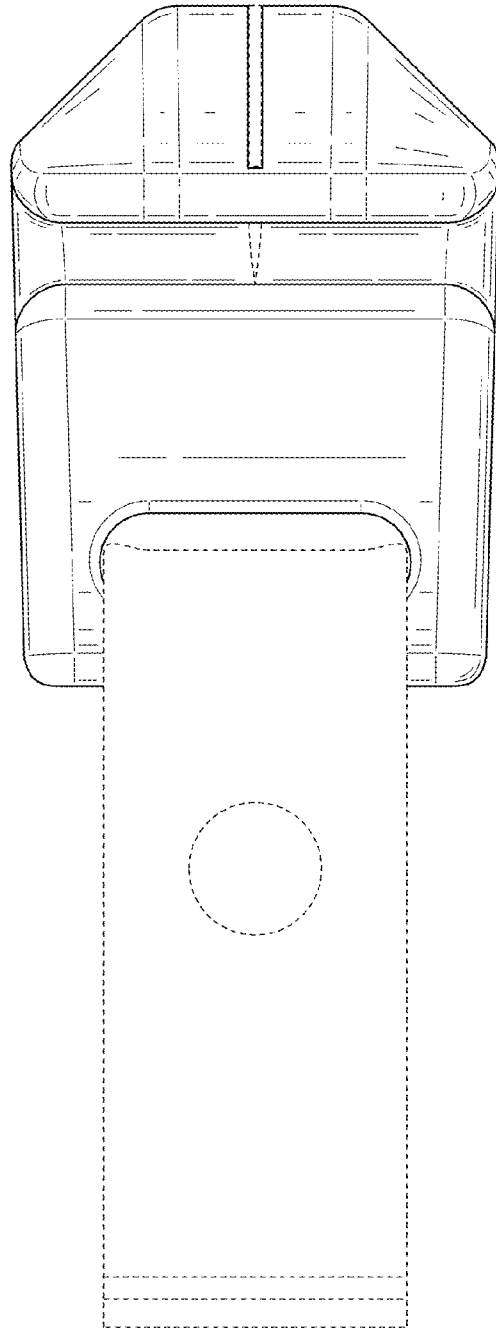


FIG. 7

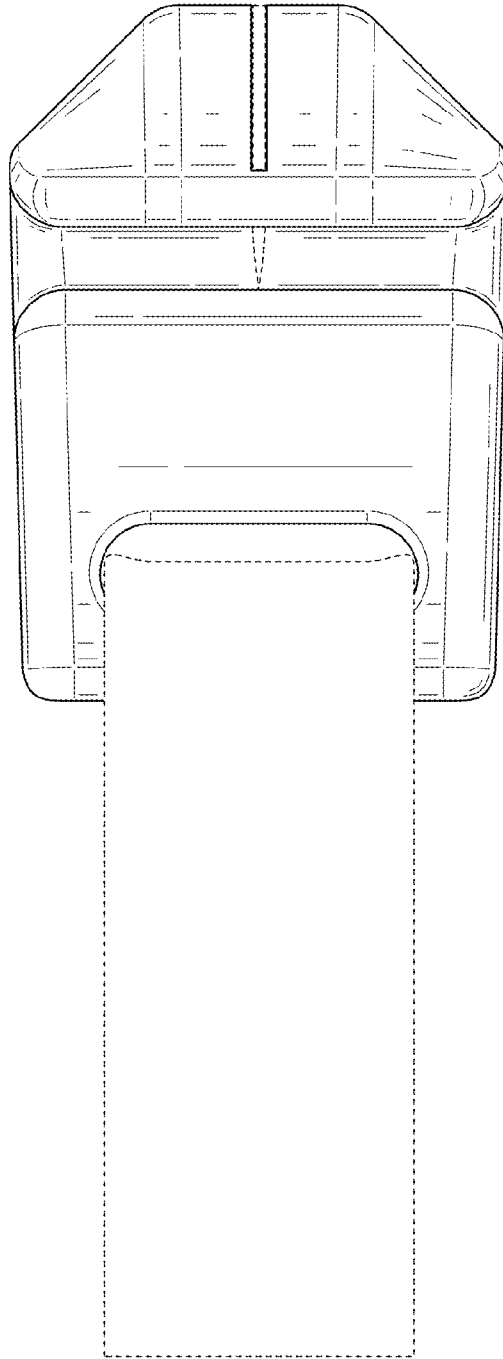


FIG. 8