



US00D748820S

(12) **United States Design Patent**
Indio Da Costa et al.

(10) **Patent No.:** **US D748,820 S**

(45) **Date of Patent:** **** Feb. 2, 2016**

(54) **BUS SHELTER**

(71) Applicant: **Odebrecht Transport Participações S/A, Pinheiros (BR)**

(72) Inventors: **Luiz Eduardo Indio Da Costa, Rio de Janeiro (BR); Luiz Augusto De Siqueira Indio Da Costa, Rio de Janeiro (BR); Till Pupak, Rio de Janeiro (BR); Marcos Lima Nogueira Costa, Rio de Janeiro (BR)**

(73) Assignee: **Odebrecht Transport Participações S/A, Sao Paulo (BR)**

(**) Term: **14 Years**

(21) Appl. No.: **29/492,948**

(22) Filed: **Jun. 4, 2014**

Related U.S. Application Data

(62) Division of application No. 29/440,037, filed on Dec. 18, 2012, now Pat. No. Des. 717,472.

(30) **Foreign Application Priority Data**

Jun. 18, 2012 (BR) 3020120037131

(51) **LOC (10) Cl.** **25-02**

(52) **U.S. Cl.**
USPC **D25/56**

(58) **Field of Classification Search**

USPC D25/56; 135/90, 97; 136/251; 52/173.3, 52/36.2, 73, 79.1, 28, 36.1
CPC E04H 1/1211; E04H 1/1216; E04H 1/12
See application file for complete search history.

(56) **References Cited**

U.S. PATENT DOCUMENTS

3,762,109 A * 10/1973 Cohen E04H 1/1211
52/11
D254,448 S * 3/1980 Dattner D25/18
5,363,608 A * 11/1994 Conlan E04H 1/1211
52/66
D500,143 S * 12/2004 Moncho D25/56

* cited by examiner

Primary Examiner — Doris Clark

(74) *Attorney, Agent, or Firm* — Sughrue Mion, PLLC

(57) **CLAIM**

The ornamental design for a bus shelter, as shown and described.

DESCRIPTION

FIG. 1—a front view showing of a bus shelter showing our new design;

FIG. 2—a rear view thereof;

FIG. 3—a right side view thereof;

FIG. 4—a left side view thereof;

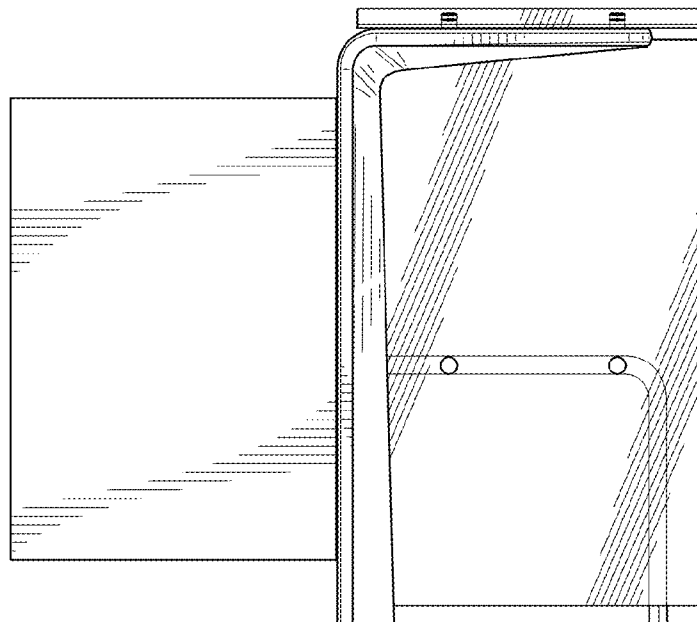
FIG. 5—a top view thereof;

FIG. 6—a bottom view thereof;

FIG. 7 is a top, left and rear perspective view thereof; and,

FIG. 8 is a top, right and rear perspective view thereof.

1 Claim, 5 Drawing Sheets



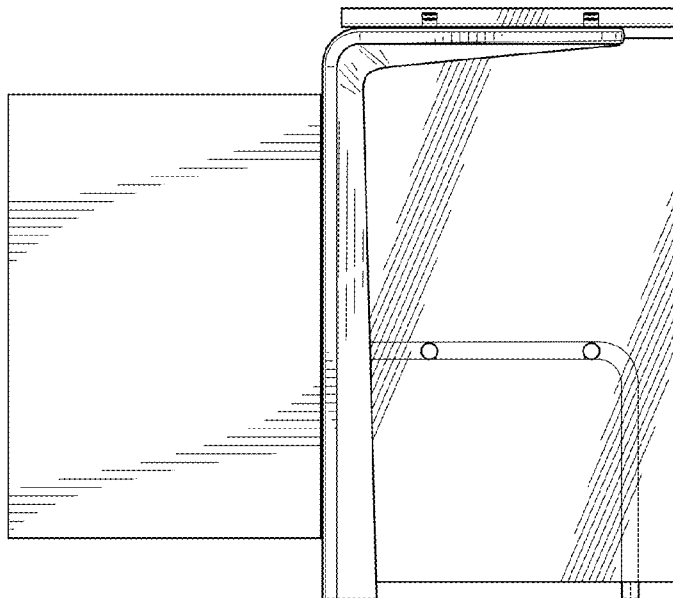


FIG. 1

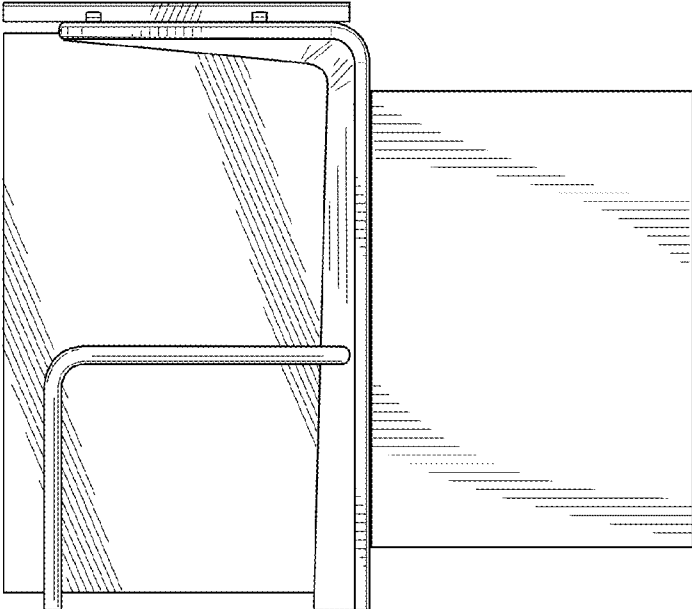


FIG. 2

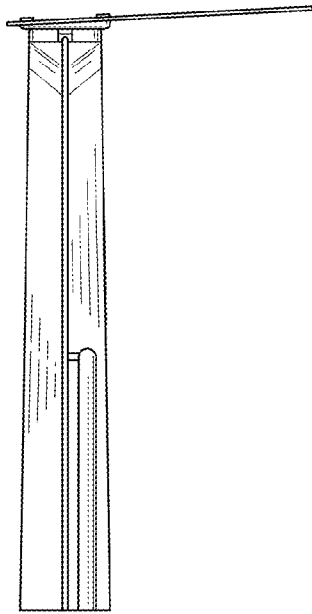


FIG. 3

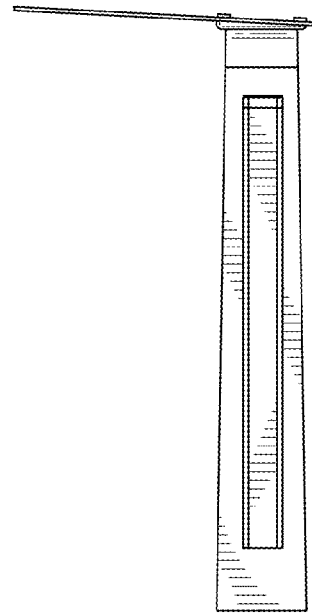


FIG. 4

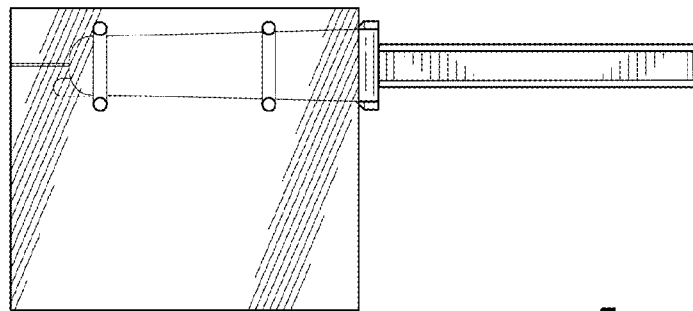


FIG. 5

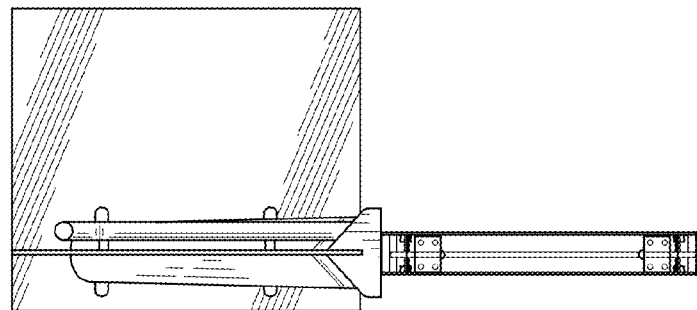


FIG. 6

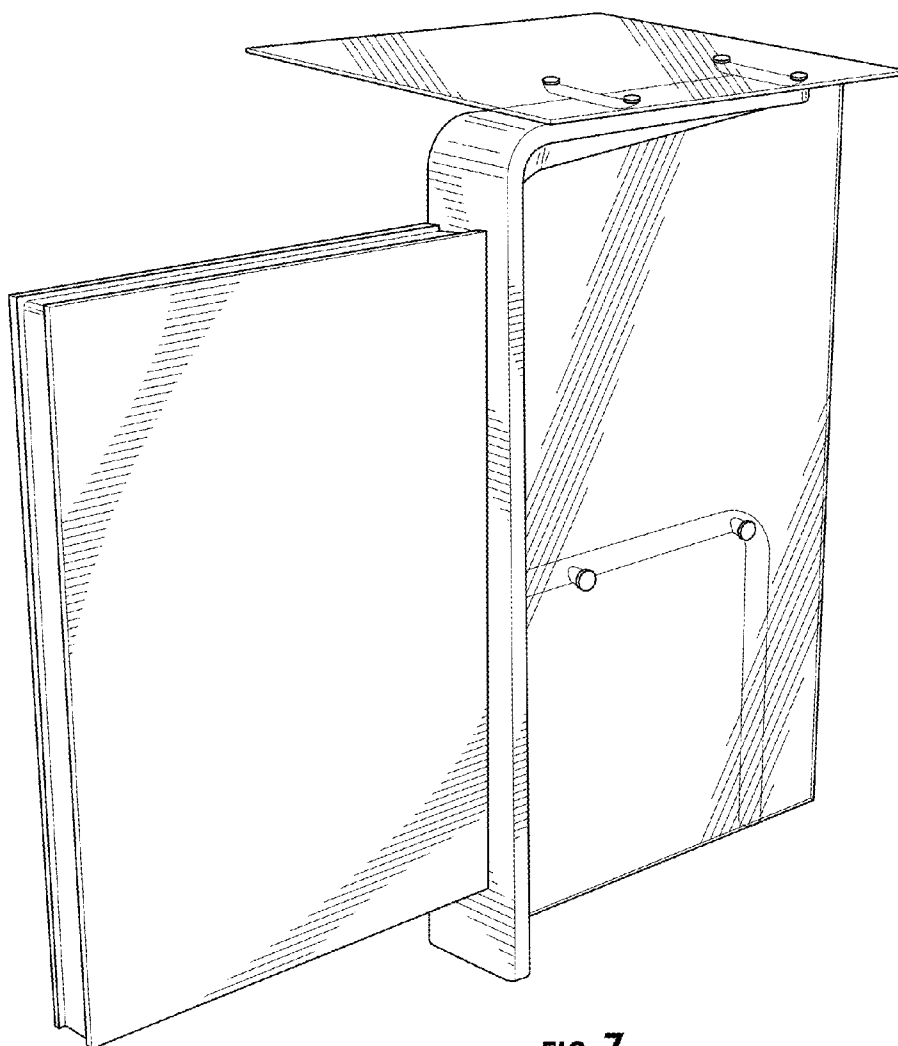


FIG. 7

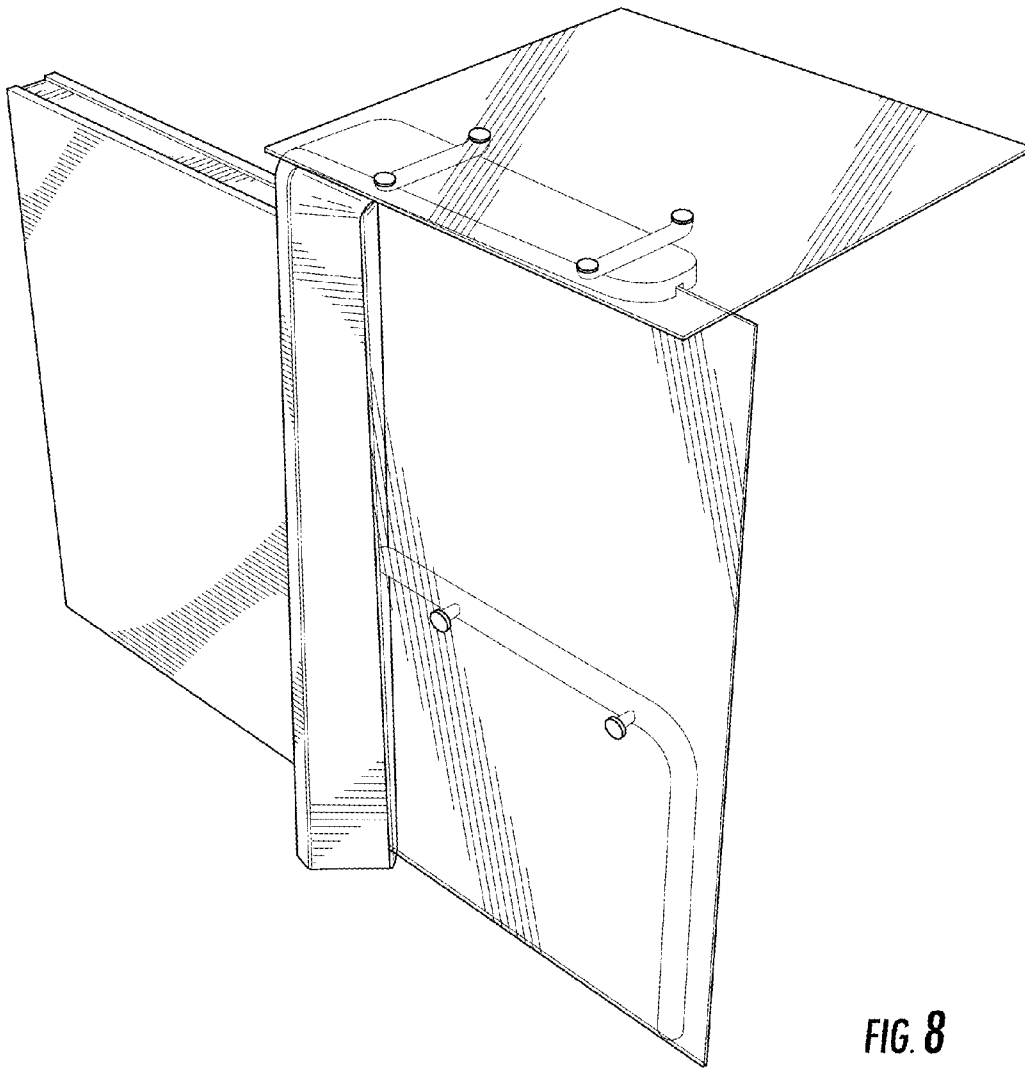


FIG. 8