



US00D500720S

(12) **United States Design Patent**
Chung

(10) **Patent No.:** **US D500,720 S**

(45) **Date of Patent:** **** Jan. 11, 2005**

(54) **AUTOMOTIVE WHEEL**

(75) **Inventor:** **Suny Chung, Yorba Linda, CA (US)**

(73) **Assignee:** **MKW Alloy Inc., City of Industry, CA (US)**

(**) **Term:** **14 Years**

(21) **Appl. No.:** **29/197,775**

(22) **Filed:** **Jan. 21, 2004**

(51) **LOC (7) Cl.** **12-16**

(52) **U.S. Cl.** **D12/209**

(58) **Field of Search** **D12/204-213;**
301/37.101, 64.101, 65

(56) **References Cited**

U.S. PATENT DOCUMENTS

- D475,670 S * 6/2003 Chung D12/209
- D480,034 S * 9/2003 Donikoglu D12/209

- D480,346 S * 10/2003 Kataoka D12/209
- D483,713 S * 12/2003 Tirado D12/209
- D488,116 S * 4/2004 Chung D12/209
- D489,308 S * 5/2004 Tirado D12/209

* cited by examiner

Primary Examiner—Stacia Cadmus

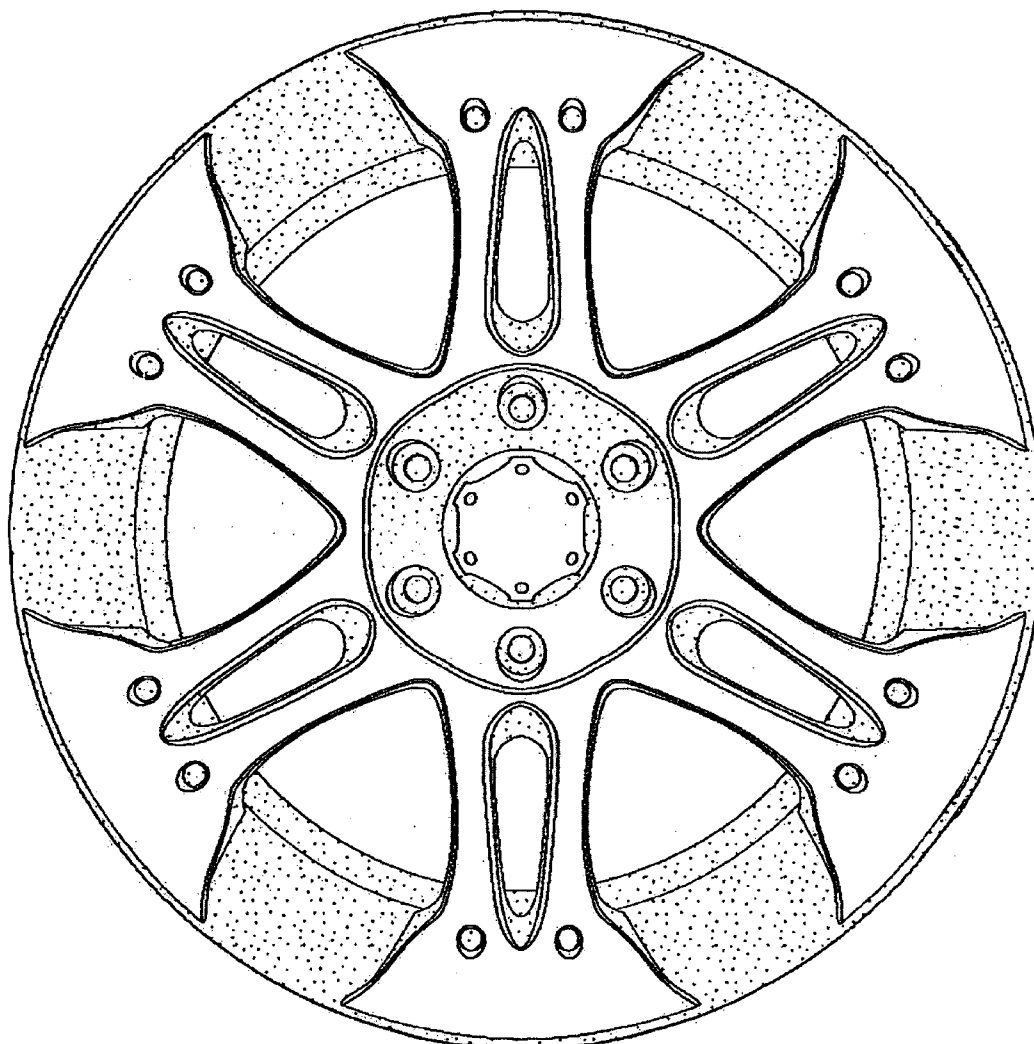
(57) **CLAIM**

The ornamental design for an automotive wheel, as shown and described.

DESCRIPTION

FIG. 1 is an oblique view of the automotive wheel of the instant invention; and, FIG. 2 is a front elevation view of the automotive wheel of the instant invention. The broken line showing of environment is for illustrative purposed and forms no part of the claimed design.

1 Claim, 2 Drawing Sheets



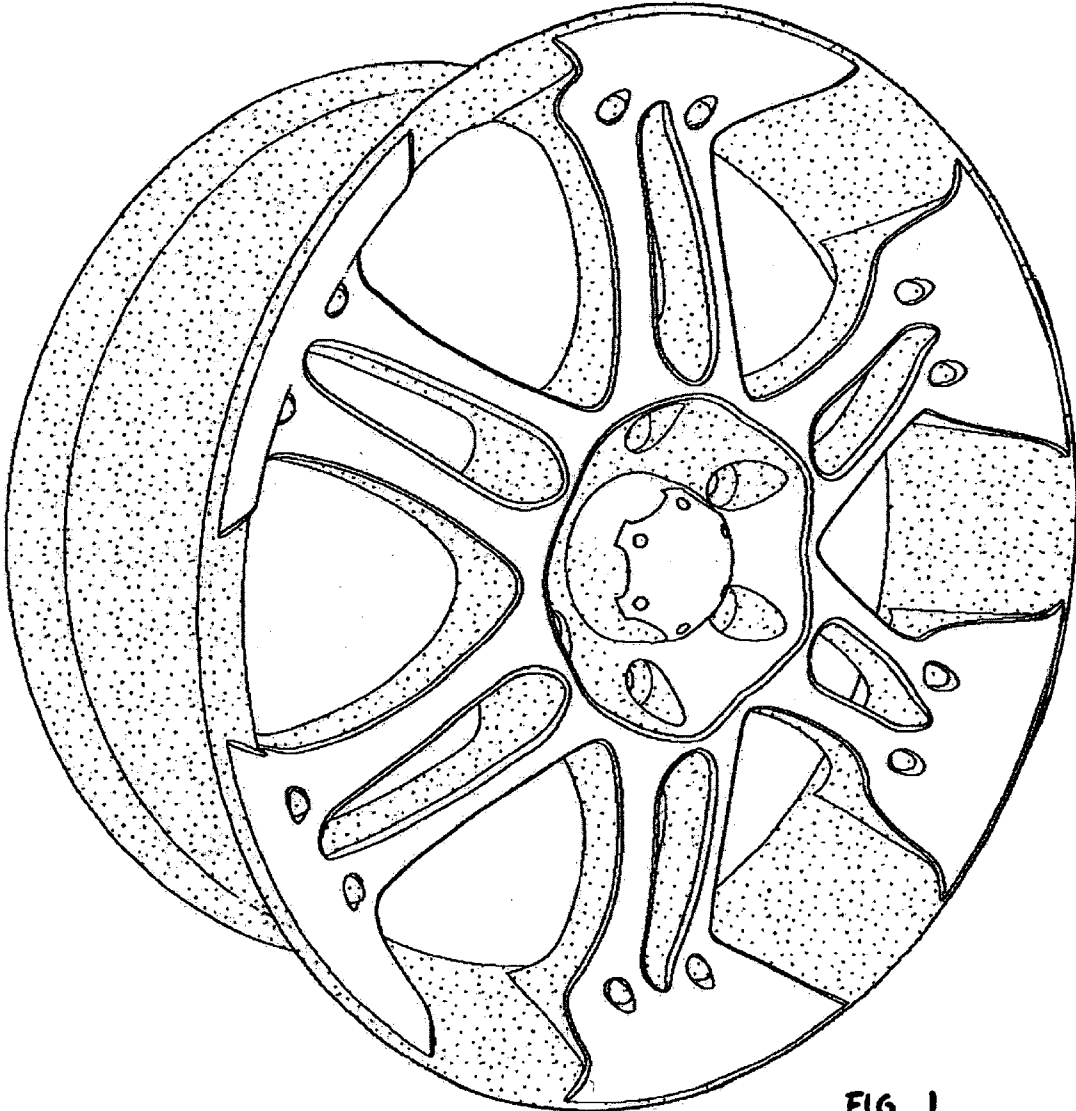


FIG. 1

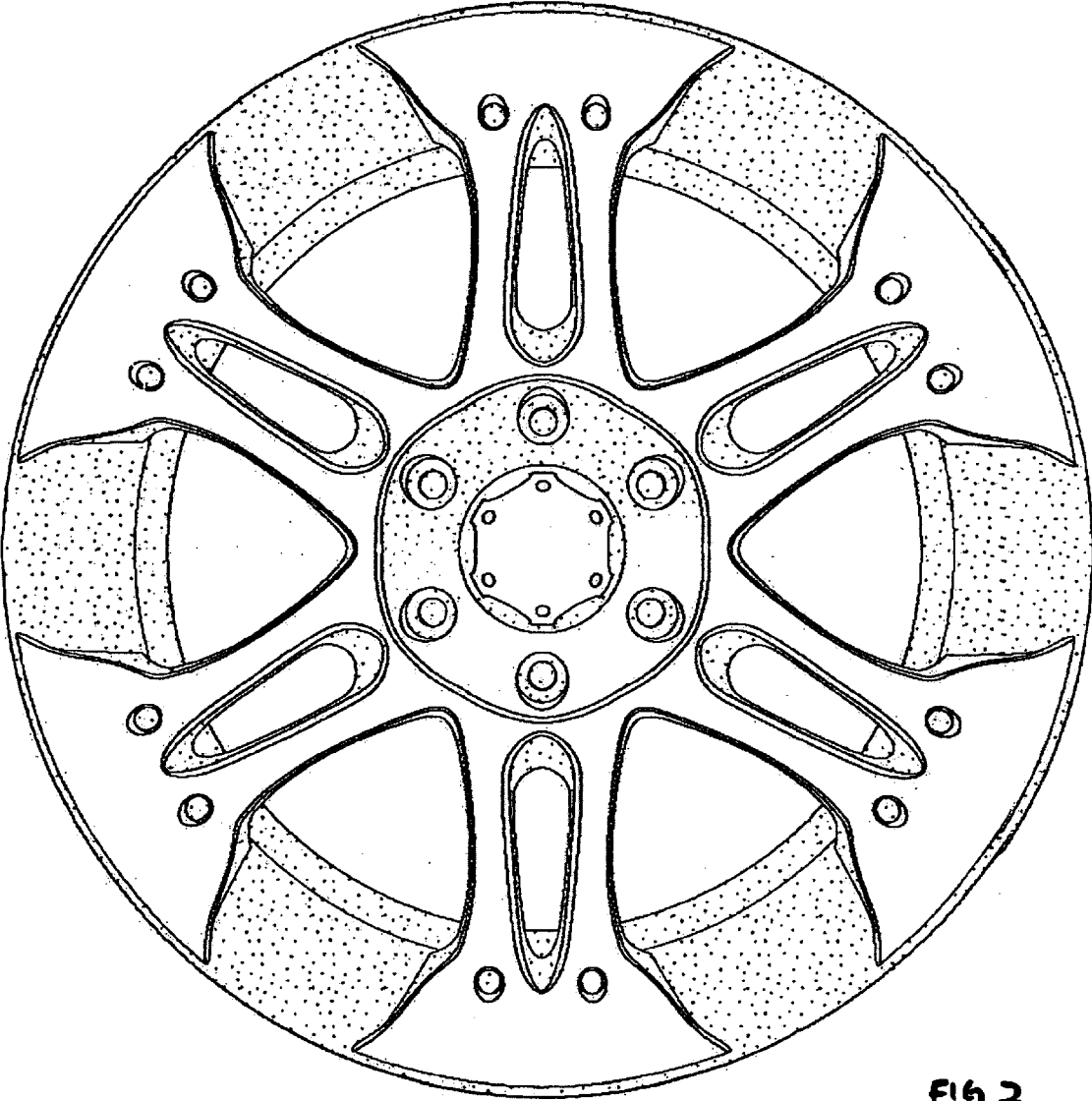


FIG 2