



US00D569257S

(12) **United States Design Patent**
Yourist et al.

(10) **Patent No.:** **US D569,257 S**

(45) **Date of Patent:** **** May 20, 2008**

(54) **PORTION OF A BOTTLE**

(75) Inventors: **Sheldon Yourist**, York, PA (US); **April Peacock**, Hellam, PA (US)

(73) Assignee: **Tropicana Products, Inc.**, Bradenton, FL (US)

(**) Term: **14 Years**

(21) Appl. No.: **29/297,877**

(22) Filed: **Nov. 20, 2007**

Related U.S. Application Data

(62) Division of application No. 29/243,438, filed on Nov. 23, 2005.

(51) **LOC (8) Cl.** **09-01**

(52) **U.S. Cl.** **D9/516; D9/564; D9/565**

(58) **Field of Classification Search** D9/516,
D9/520, 530, 537-546, 548-549, 551-552,
D9/556-560, 564-565, 571-575, 682, 687-694;
D7/509-511; 215/381-385, 396, 398
See application file for complete search history.

(56) **References Cited**

U.S. PATENT DOCUMENTS

| | | | | | | |
|-----------|----|---|---------|-----------------|-------|---------|
| D378,274 | S | * | 3/1997 | Beaver | | D9/530 |
| D420,919 | S | * | 2/2000 | Ogg | | D9/542 |
| 6,044,997 | A | * | 4/2000 | Ogg | | 215/381 |
| 6,273,282 | B1 | * | 8/2001 | Ogg et al. | | 215/381 |
| D460,917 | S | * | 7/2002 | Trabal | | D9/551 |
| D462,271 | S | * | 9/2002 | Bourque et al. | | D9/539 |
| D473,144 | S | * | 4/2003 | Schuller et al. | | D9/551 |
| 6,575,321 | B2 | * | 6/2003 | Bourque et al. | | 215/384 |
| D507,746 | S | * | 7/2005 | Sasaki et al. | | D9/516 |
| 7,017,763 | B2 | * | 3/2006 | Kelley | | 215/383 |
| D525,527 | S | * | 7/2006 | Ogg | | D9/516 |
| D525,528 | S | * | 7/2006 | Lane et al. | | D9/516 |
| D529,385 | S | * | 10/2006 | Gamber et al. | | D9/516 |
| D533,782 | S | * | 12/2006 | Ogg et al. | | D9/516 |
| D538,671 | S | * | 3/2007 | O'Danahue | | D9/538 |

| | | | | | | | |
|--------------|----|---|--------|----------------|-------|---------|---|
| D547,670 | S | * | 7/2007 | Heisner | | D9/565 | X |
| 2003/0136754 | A1 | * | 7/2003 | Bourque et al. | | 215/384 | |
| 2006/0091102 | A1 | * | 5/2006 | Bourque et al. | | 215/382 | |
| 2007/0045222 | A1 | * | 3/2007 | Denner et al. | | 215/382 | |

* cited by examiner

Primary Examiner—Carol Rademaker

(74) *Attorney, Agent, or Firm*—Banner & Witcoff, Ltd.

(57) **CLAIM**

The ornamental design for a portion of a bottle, as shown and described.

DESCRIPTION

FIG. 1 is a top, front, and right side perspective view of a first embodiment of a portion of a bottle depicting the new design;

FIG. 2 is a front elevational view thereof, the rear elevational view being a mirror image;

FIG. 3 is a right side elevational view thereof, the left side elevational view being a mirror image;

FIG. 4 is a top plan thereof;

FIG. 5 is a bottom plan thereof;

FIG. 6 is a top, front, and right side perspective view of a second embodiment of a portion of a bottle depicting the new design;

FIG. 7 is a front elevational view thereof, the rear elevational view being a mirror image;

FIG. 8 is a right side elevational view thereof, the left side elevational view being a mirror image;

FIG. 9 is a top plan view thereof; and,

FIG. 10 is a bottom plan view thereof.

The dash lines shown in the drawings are for illustrative purposes only and form no part of the claimed design. The dot-dash-dot lines shown in the drawings define the boundary of the claim and form no part of the claimed design.

1 Claim, 8 Drawing Sheets

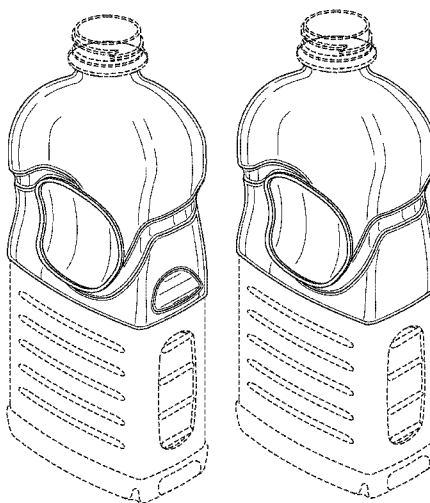


Fig. 1

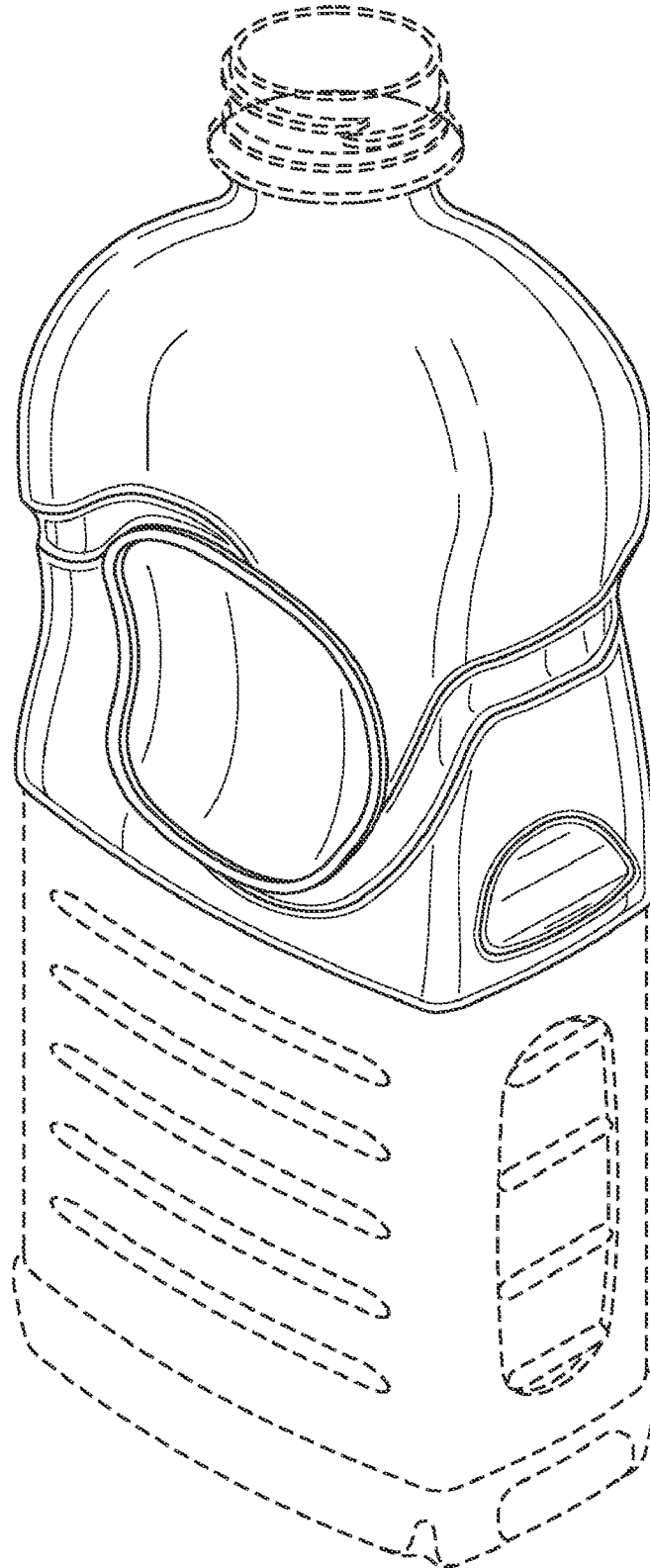


Fig. 2

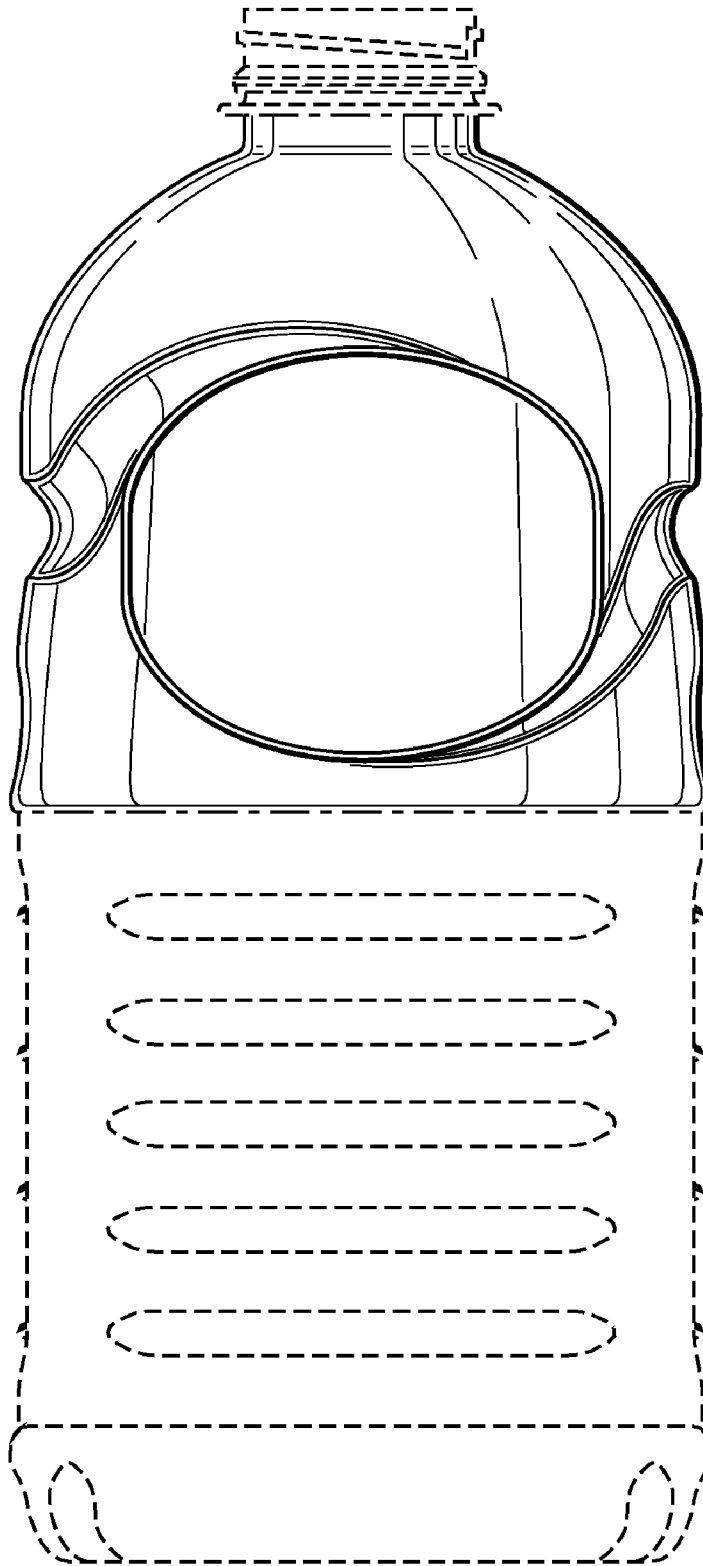


Fig. 3

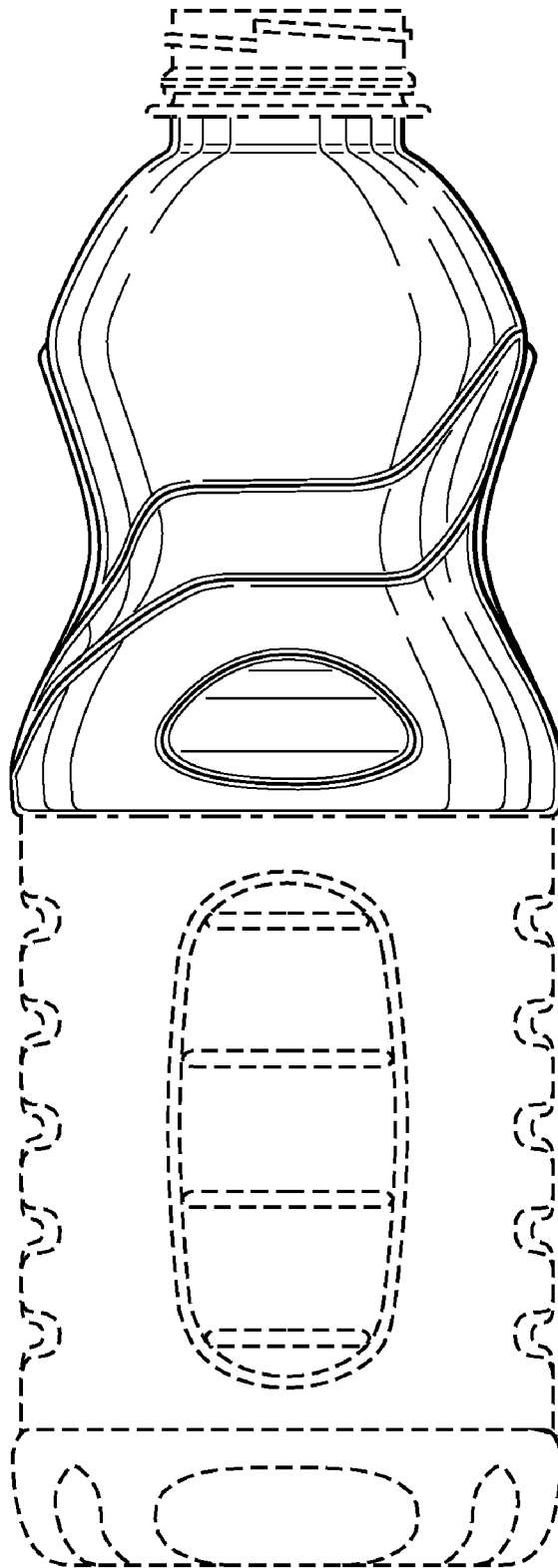


Fig. 4

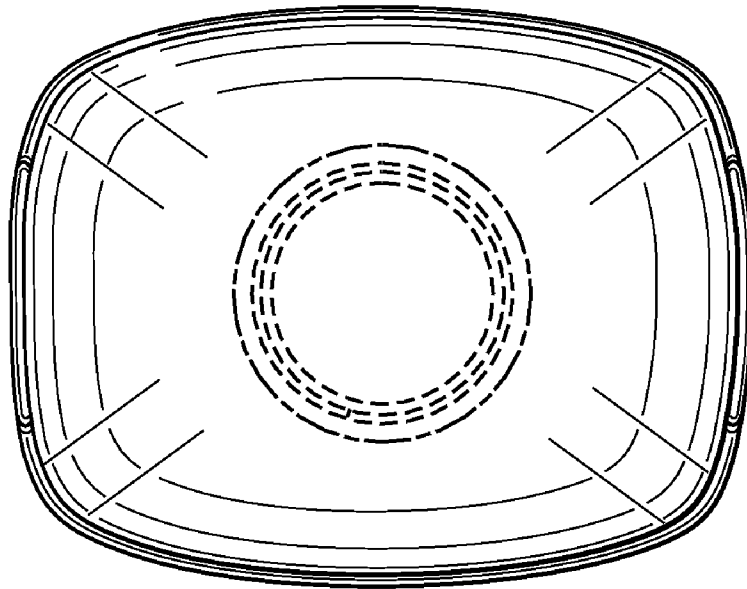


Fig. 5

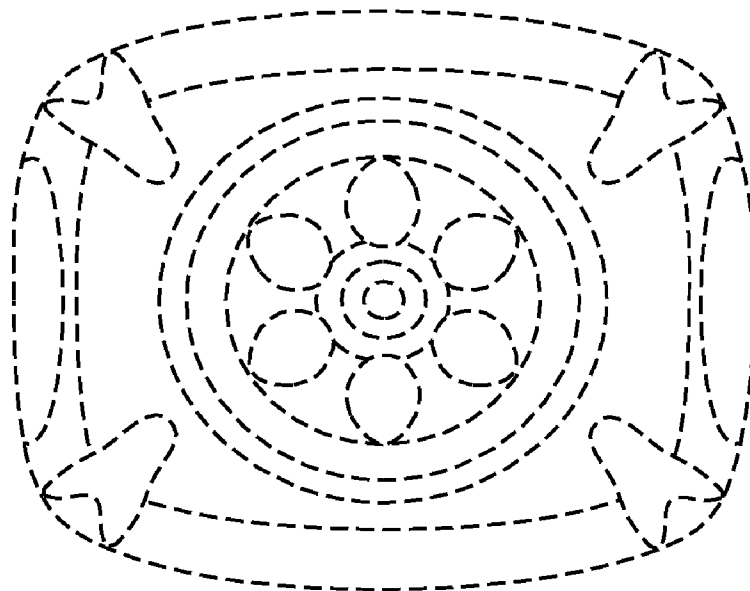


Fig. 6

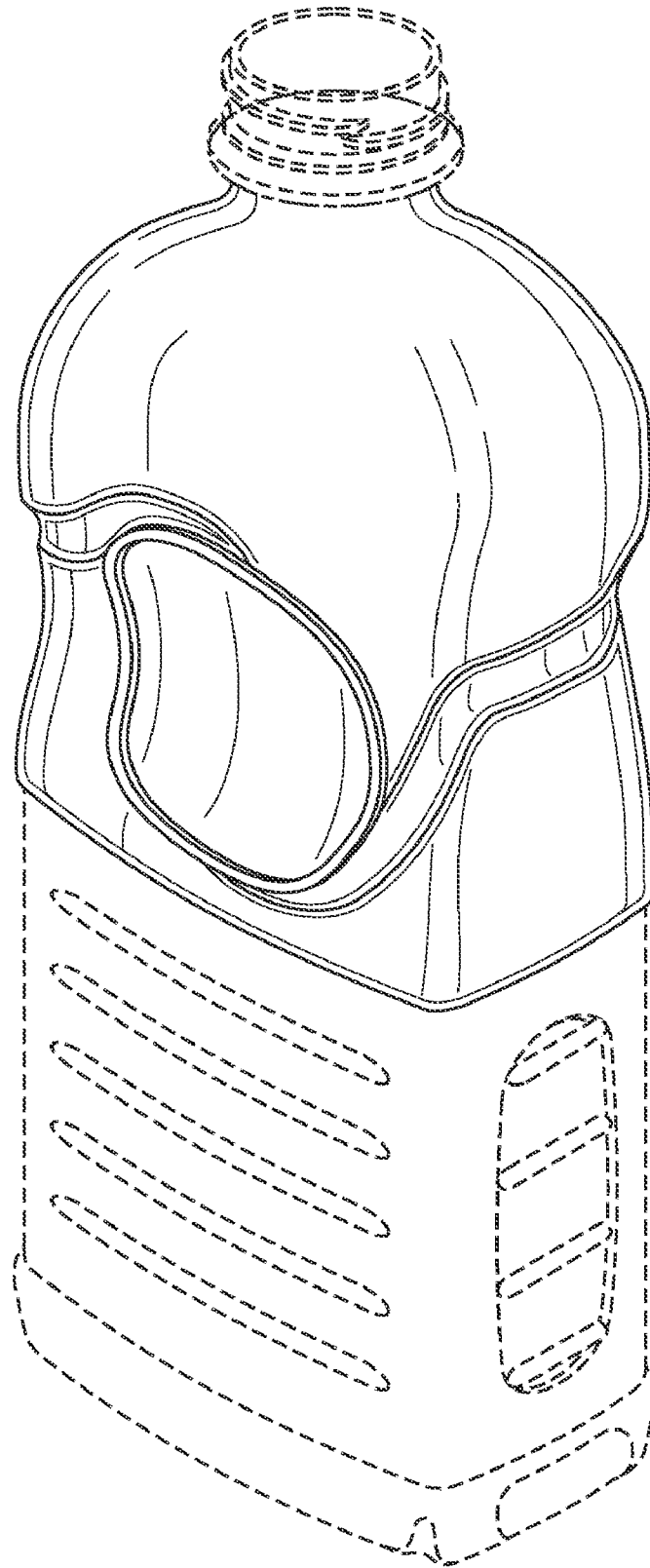


Fig. 7

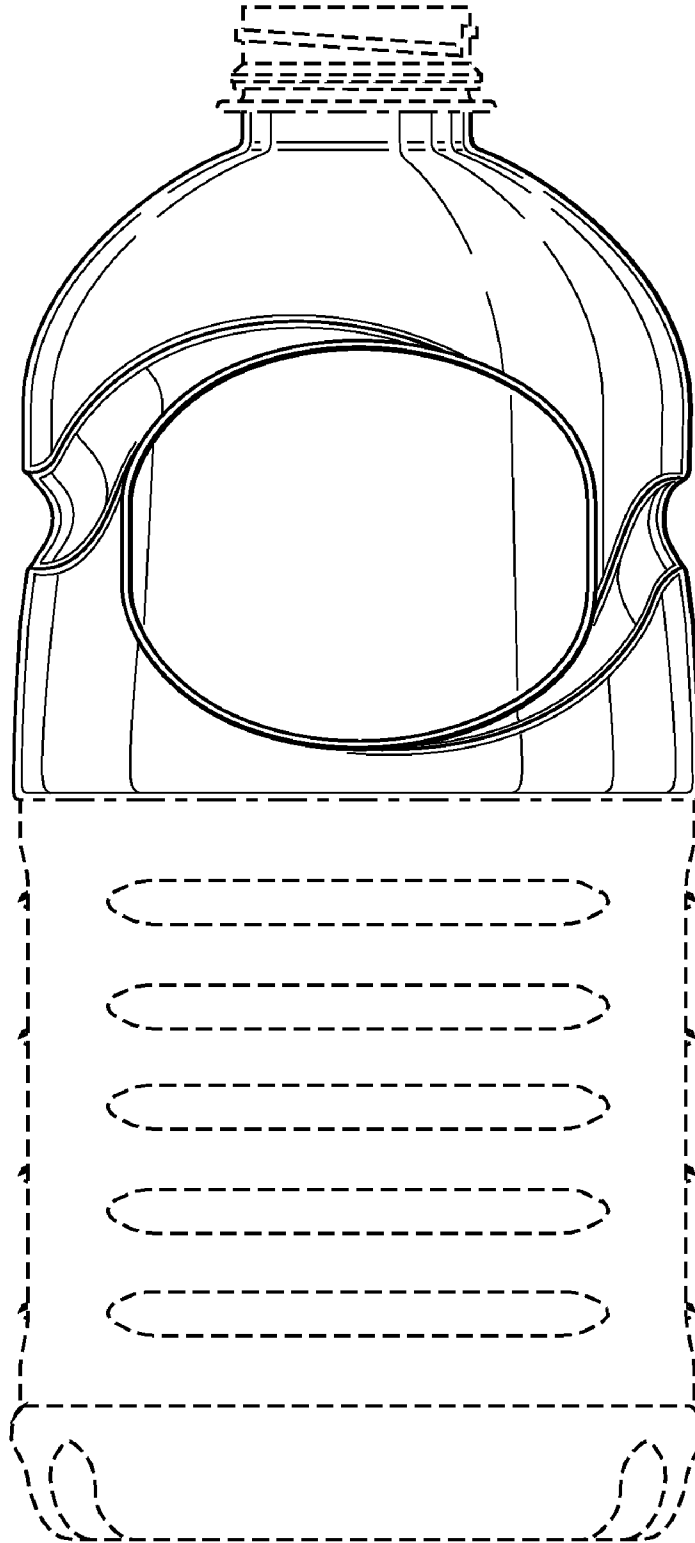


Fig. 8

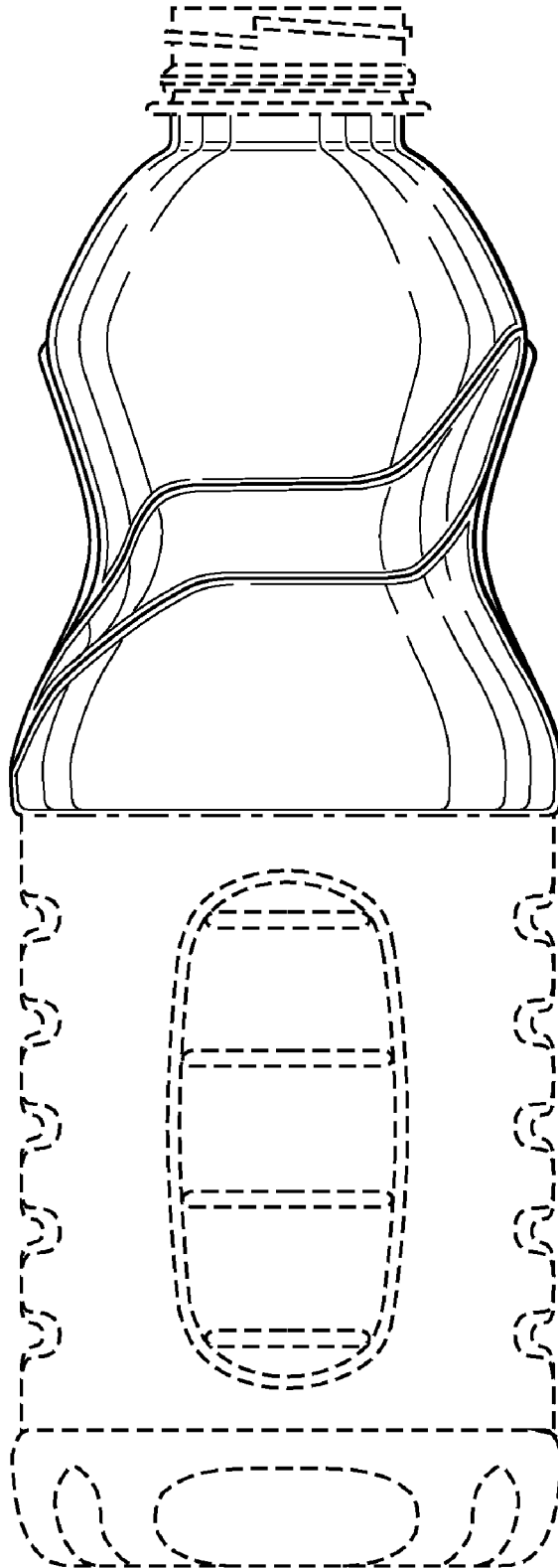


Fig. 9

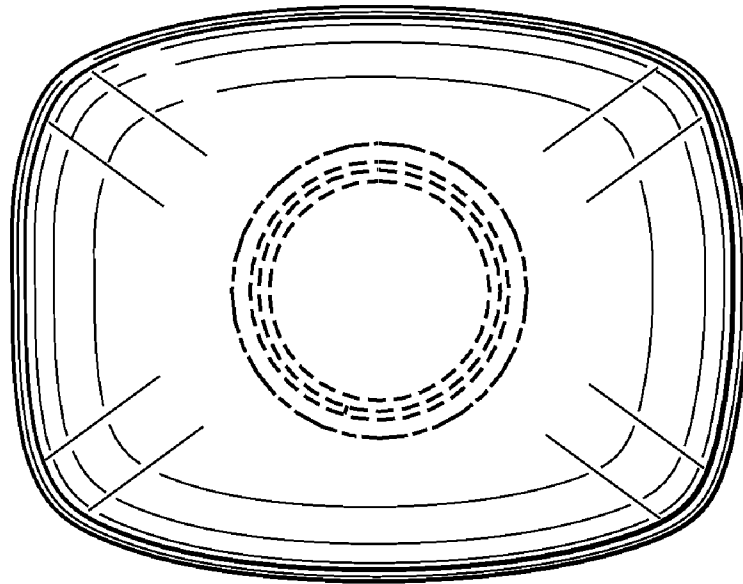


Fig. 10

