



- (51) International Patent Classification:
A61M 5/142 (2006.01) A61M 5/168 (2006.01)
A61M 5/148 (2006.01)
- (21) International Application Number:
PCT/US2011/054047
- (22) International Filing Date:
29 September 2011 (29.09.2011)
- (25) Filing Language: English
- (26) Publication Language: English
- (30) Priority Data:
61/388,883 1 October 2010 (01.10.2010) US
- (71) Applicant (for all designated States except US): ZEVEX, INC. [US/US]; 4314 Zevex Park Lane, Salt Lake City, UT 84123 (US).
- (72) Inventors; and
- (75) Inventors/Applicants (for US only): BECK, Kent [US/US]; 825 North 300 West Suite C250, Salt Lake City, UT 84103 (US). EGGERS, Philip [US/US]; 7704 Timberline Dr., Cottonwood Heights, UT 84121 (US).
- (74) Agent: SNYDER, George L., Jr.; Hodgson Russ LLP, 140 Pearl Street, Buffalo, New York 14202 (US).
- (81) Designated States (unless otherwise indicated, for every kind of national protection available): AE, AG, AL, AM, AO, AT, AU, AZ, BA, BB, BG, BH, BR, BW, BY, BZ, CA, CH, CL, CN, CO, CR, CU, CZ, DE, DK, DM, DO, DZ, EC, EE, EG, ES, FI, GB, GD, GE, GH, GM, GT, HN, HR, HU, ID, IL, IN, IS, JP, KE, KG, KM, KN, KP, KR, KZ, LA, LC, LK, LR, LS, LT, LU, LY, MA, MD, ME, MG, MK, MN, MW, MX, MY, MZ, NA, NG, NI, NO, NZ, OM, PE, PG, PH, PL, PT, QA, RO, RS, RU, RW, SC, SD, SE, SG, SK, SL, SM, ST, SV, SY, TH, TJ, TM, TN, TR, TT, TZ, UA, UG, US, UZ, VC, VN, ZA, ZM, ZW.
- (84) Designated States (unless otherwise indicated, for every kind of regional protection available): ARIPO (BW, GH, GM, KE, LR, LS, MW, MZ, NA, RW, SD, SL, SZ, TZ,

[Continued on next page]

(54) Title: PRESSURE SENSOR SEAL AND METHOD OF USE

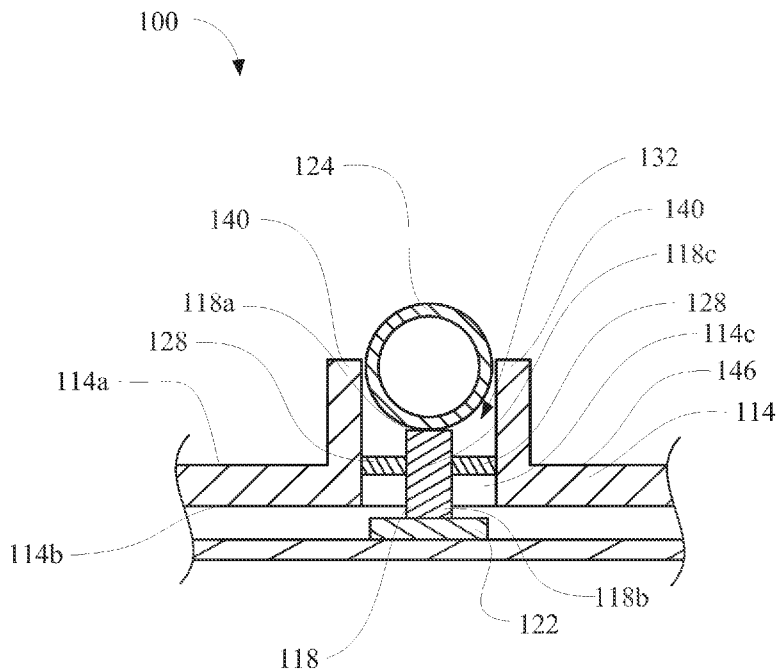


FIG. 1

(57) Abstract: A pressure sensor and method of use provides for the detection of a sudden increase or decrease of pressure within tubing during the administration of solutions to a patient. Detection of an occlusion, partial occlusion or other significant pressure change in the tubing is accomplished by measuring the compression and/or expansion of the tubing. Transfer of the change in force within the tubing is communicated from the tubing to a sensor by a transfer rod which as a membrane attached thereto to provide a seal thereabout.





UG, ZM, ZW), Eurasian (AM, AZ, BY, KG, KZ, MD, RU, TJ, TM), European (AL, AT, BE, BG, CH, CY, CZ, DE, DK, EE, ES, FI, FR, GB, GR, HR, HU, IE, IS, IT, LT, LU, LV, MC, MK, MT, NL, NO, PL, PT, RO, RS, SE, SI, SK, SM, TR), OAPI (BF, BJ, CF, CG, CI, CM, GA, GN, GQ, GW, ML, MR, NE, SN, TD, TG).

— *before the expiration of the time limit for amending the claims and to be republished in the event of receipt of amendments (Rule 48.2(h))*

(88) Date of publication of the international search report:

7 June 2012

Published:

— *with international search report (Art. 21(3))*

A. CLASSIFICATION OF SUBJECT MATTER*A61M 5/142(2006.01)i, A61M 5/148(2006.01)i, A61M 5/168(2006.01)i*

According to International Patent Classification (IPC) or to both national classification and IPC

B. FIELDS SEARCHED

Minimum documentation searched (classification system followed by classification symbols)

A61M 5/142; G01N 7/00; G01L 7/00; A61M 31/00; G01L 7/08; G01L 9/00; G08B 21/00

Documentation searched other than minimum documentation to the extent that such documents are included in the fields searched

Korean utility models and applications for utility models

Japanese utility models and applications for utility models

Electronic data base consulted during the international search (name of data base and, where practicable, search terms used)

eKOMPASS(KIPO internal) & Keywords: pressure, sensor, seal, fluid, membrane, pump

C. DOCUMENTS CONSIDERED TO BE RELEVANT

Category*	Citation of document, with indication, where appropriate, of the relevant passages	Relevant to claim No.
X	US 05614677 A (WAMSIEDLER et al.) 25 March 1997	1
A	See the abstract; claim 1; column 5, lines 5-9 and 50-54; and figs. 1-4.	2-25
A	US 2006-0278001 A1 (KANEKO et al.) 14 December 2006 See the abstract; paragraph [0023]; and fig. 1.	1-25
A	US 05720721 A (DUMAS et al.) 24 February 1998 See the abstract; column 4, lines 29-31; column 5, lines 29-31.	1-25
A	US 2007-0241917 A1 (TIWET at al.) 18 October 2007 See the abstract; claim 20; and figs. 1 and 3.	1-25

 Further documents are listed in the continuation of Box C. See patent family annex.

* Special categories of cited documents:

"A" document defining the general state of the art which is not considered to be of particular relevance

"E" earlier application or patent but published on or after the international filing date

"L" document which may throw doubts on priority claim(s) or which is cited to establish the publication date of citation or other special reason (as specified)

"O" document referring to an oral disclosure, use, exhibition or other means

"P" document published prior to the international filing date but later than the priority date claimed

"T" later document published after the international filing date or priority date and not in conflict with the application but cited to understand the principle or theory underlying the invention

"X" document of particular relevance; the claimed invention cannot be considered novel or cannot be considered to involve an inventive step when the document is taken alone

"Y" document of particular relevance; the claimed invention cannot be considered to involve an inventive step when the document is combined with one or more other such documents, such combination being obvious to a person skilled in the art

"&" document member of the same patent family

Date of the actual completion of the international search

20 APRIL 2012 (20.04.2012)

Date of mailing of the international search report

20 APRIL 2012 (20.04.2012)

Name and mailing address of the ISA/KR

Korean Intellectual Property Office
Government Complex-Daejeon, 189 Cheongsa-ro,
Seo-gu, Daejeon 302-701, Republic of Korea

Facsimile No. 82-42-472-7140

Authorized officer

LEE, Cheol Soo

Telephone No. 82-42-481-8525



INTERNATIONAL SEARCH REPORT

Information on patent family members

International application No.

PCT/US2011/054047

Patent document cited in search report	Publication date	Patent family member(s)	Publication date
US 05614677 A	25.03.1997	EP 0685721 A2	06.12.1995
		EP 0685721 A3	30.07.1997
		EP 0685721 B1	05.04.2000
		JP 07-333093 A	22.12.1995
		JP 3526965 B2	17.05.2004
US 2006-0278001 A1	14.12.2006	AU 2003-303999 A1	30.09.2004
		CA 2514762 A1	23.09.2004
		CA 2514762 C	13.09.2011
		CN 100451588 C	14.01.2009
		CN 1662798 A	31.08.2005
		DE 60336505 D1	05.05.2011
		EP 1591767 A1	02.11.2005
		EP 1591767 A4	08.04.2009
		EP 1591767 B1	23.03.2011
		HK 1077633 A1	21.08.2009
		KR 10-0983139 B1	20.09.2010
		US 7313968 B2	01.01.2008
		WO 2004-081508 A1	23.09.2004
US 05720721 A	24.02.1998	EP 0959920 A1	20.06.2001
		EP 0959920 B1	13.02.2002
		JP 11-505449 A	21.05.1999
		US 05514102 A	07.05.1996
		WO 96-34648 A1	07.11.1996
US 2007-0241917 A1	18.10.2007	US 2005-0183491 A1	25.08.2005
		US 7224285 B2	29.05.2007
		US 7504959 B2	17.03.2009