



US00D596292S

(12) **United States Design Patent**
Logar

(10) **Patent No.:** **US D596,292 S**

(45) **Date of Patent:** **** Jul. 14, 2009**

- (54) **INTERDENTAL SPACE CLEANER**
- (76) Inventor: **Tom Logar**, 3974 N. Ocean Dr., Singer Island, FL (US) 33404
- (**) Term: **14 Years**
- (21) Appl. No.: **29/281,985**
- (22) Filed: **Jul. 9, 2007**

D397,253 S *	8/1998	Satterfield	D4/104
D461,641 S *	8/2002	Davis	D4/104
D465,089 S *	11/2002	Harada	D4/104
6,821,121 B2 *	11/2004	Rosen	433/142
D507,380 S *	7/2005	Le	D28/65
D533,944 S *	12/2006	Sullivan et al.	D24/147

* cited by examiner

Primary Examiner—Charles A Rademaker

- (51) **LOC (9) Cl.** **24-02**
- (52) **U.S. Cl.** **D24/152; D4/104**
- (58) **Field of Classification Search** D24/155,
D24/156, 107, 176, 180, 181, 182, 152, 154,
D24/147; 433/173, 176, 49, 70, 168.1, 38,
433/39, 40, 47, 142, 141; D8/387, 388; D29/108,
D29/100; 128/859, 861, 862; 72/68, 299,
72/316; D4/103, 137, 199, 104; D19/35,
D19/66, 100, 53; D28/68; 132/329
See application file for complete search history.

(57) **CLAIM**

The ornamental design for an interdental space cleaner, as shown and described.

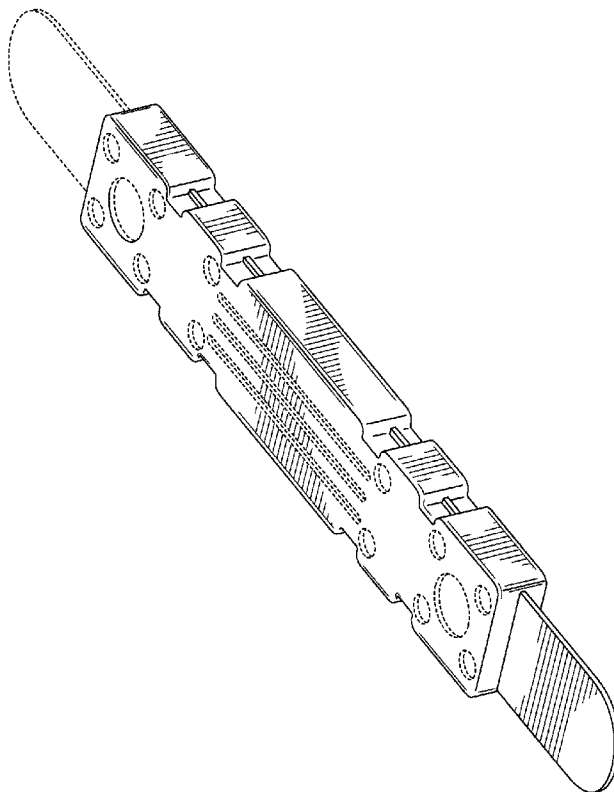
DESCRIPTION

- FIG. 1 is a top perspective view of an interdental space cleaner showing my new design;
- FIG. 2 is a top plan view thereof shown on a slightly reduced scale;
- FIG. 3 is a left side elevation of the side opposite that shown in FIG. 2;
- FIG. 4 is a rear elevation thereof; and,
- FIG. 5 is a front elevation thereof.

The broken lines shown in the drawings are included for the purpose of illustrating environmental structure and form no part of the claimed design.

1 Claim, 2 Drawing Sheets

- (56) **References Cited**
- U.S. PATENT DOCUMENTS
- D101,325 S * 9/1936 Brown D24/147
- D310,139 S * 8/1990 Moharram D4/104
- D324,424 S * 3/1992 Michelson D24/147
- D361,208 S * 8/1995 Woods et al. D4/104
- 5,680,876 A * 10/1997 Hasham et al. 132/329
- 5,704,388 A * 1/1998 Freeman 132/329
- 5,769,103 A * 6/1998 Turjak 132/329



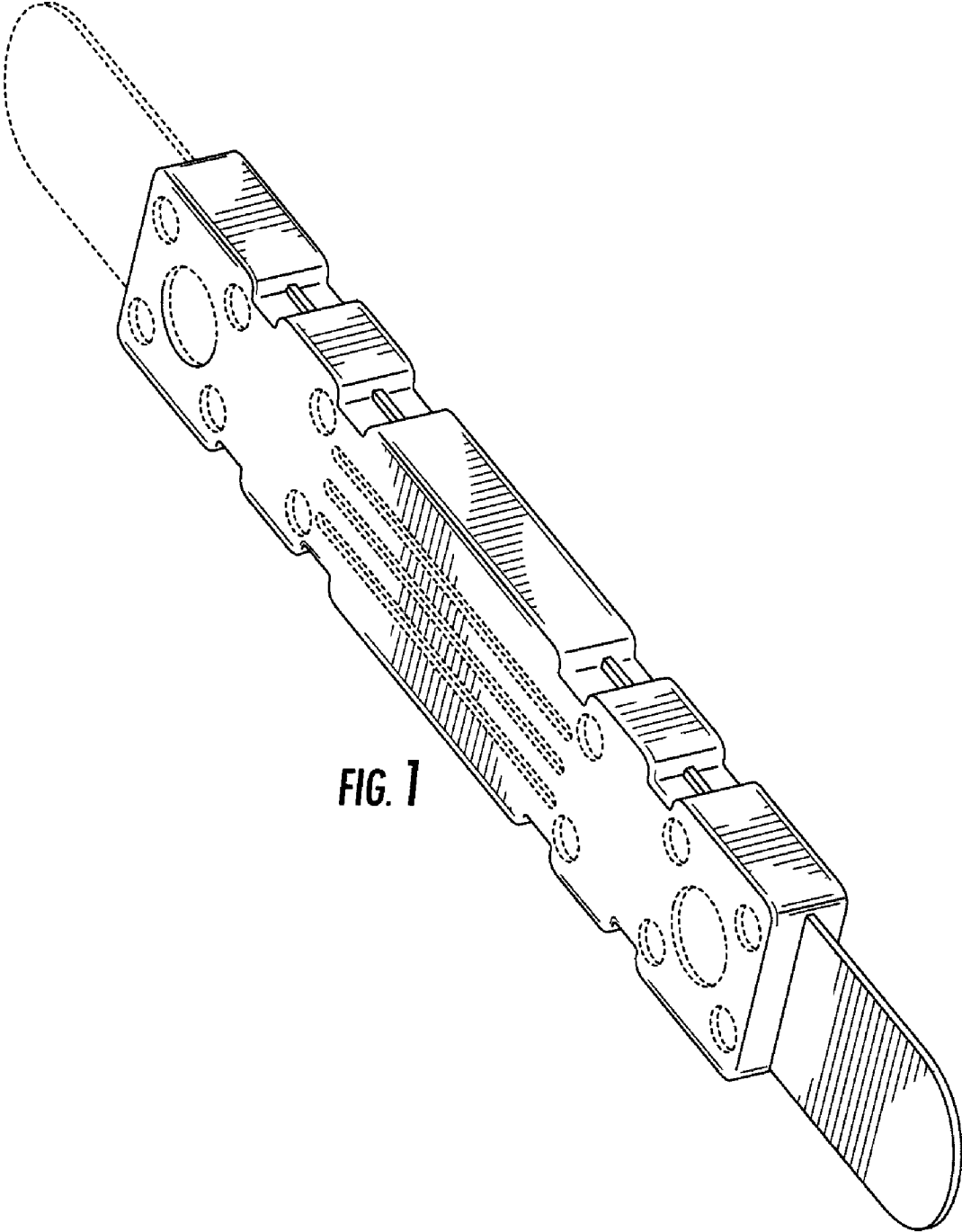


FIG. 1

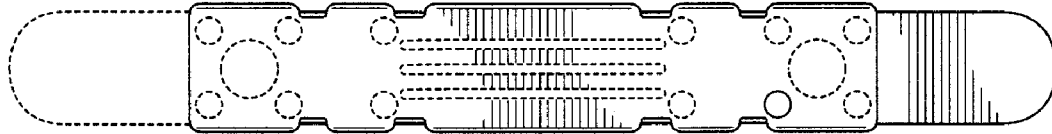


FIG. 2



FIG. 3

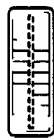


FIG. 4



FIG. 5