



US00D714433S

(12) **United States Design Patent**  
**Armstrong et al.**

(10) **Patent No.:** **US D714,433 S**  
(45) **Date of Patent:** **\*\* Sep. 30, 2014**

(54) **SUCTION ADAPTER**

(75) Inventors: **Ed Armstrong**, Palm Harbor, FL (US);  
**Stephen Gianelis**, Abington, MA (US);  
**Joseph Gordon**, Mansfield, MA (US);  
**Mark Guarraia**, Providence, RI (US);  
**Dan Nelsen**, Warwick, RI (US); **Michael Salame**, Norwich, CT (US)

(73) Assignee: **Smith & Nephew, Inc.**, Memphis, TN (US)

(\*\*) Term: **14 Years**

(21) Appl. No.: **29/405,978**

(22) Filed: **Nov. 8, 2011**

**Related U.S. Application Data**

(63) Continuation of application No. PCT/US2010/061938, filed on Dec. 22, 2010.

(51) **LOC (10) Cl.** ..... **24-01**

(52) **U.S. Cl.**  
USPC ..... **D24/108**

(58) **Field of Classification Search**  
USPC ..... D24/108, 127, 130, 133, 232;  
604/313-315, 543, 317-319, 322-324,  
604/35, 19, 305

See application file for complete search history.

(56) **References Cited**

**U.S. PATENT DOCUMENTS**

5,437,651 A 8/1995 Todd et al.  
5,527,293 A 6/1996 Zamierowski  
(Continued)

**FOREIGN PATENT DOCUMENTS**

WO WO 2008/100437 8/2008  
WO WO 2009/002260 12/2008  
(Continued)

**OTHER PUBLICATIONS**

KCIV.A.C. GranuFoam Bridge Dressing Product Brochure (2009) in 2 pages.

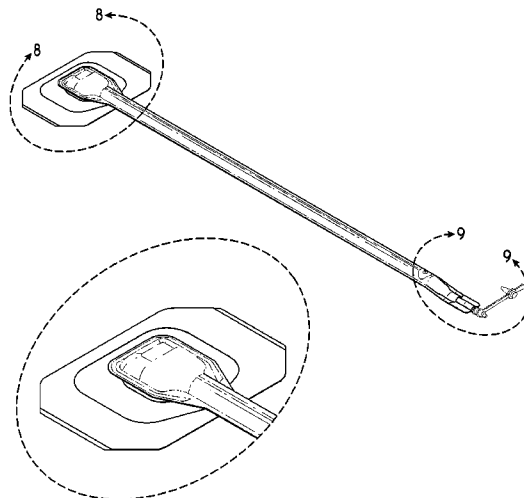
*Primary Examiner* — Wan Laymon  
(74) *Attorney, Agent, or Firm* — Knobbe Martens Olson & Bear LLP

(57) **CLAIM**  
The ornamental design for a suction adapter, as shown and described.

**DESCRIPTION**

FIG. 1 is a perspective view of another embodiment of a suction adapter.  
FIG. 2 is a top plan view of the suction adapter of FIG. 1.  
FIG. 3 is a bottom view of the suction adapter of FIG. 1.  
FIG. 4 is a front view of the suction adapter of FIG. 1.  
FIG. 5 is a rear view of the suction adapter of FIG. 1.  
FIG. 6 is a right side view of the suction adapter of FIG. 1.  
FIG. 7 is a left side view of the suction adapter of FIG. 1.  
FIG. 8 is an enlarged fragmentary perspective view of portion 8 of the suction adapter of FIG. 1.  
FIG. 9 is an enlarged fragmentary perspective view of portion 9 of the suction adapter of FIG. 1.  
FIG. 10 is a perspective view of another embodiment of a suction adapter.  
FIG. 11 is a top plan view of the suction adapter of FIG. 10.  
FIG. 12 is a bottom view of the suction adapter of FIG. 10.  
FIG. 13 is a front view of the suction adapter of FIG. 10.  
FIG. 14 is a rear view of the suction adapter of FIG. 10.  
FIG. 15 is a right side view of the suction adapter of FIG. 10.  
FIG. 16 is a left side view of the suction adapter of FIG. 10.  
FIG. 17 is an enlarged fragmentary perspective view of portion 17 of the suction adapter of FIG. 10; and,  
FIG. 18 is an enlarged fragmentary perspective view of portion 18 of the suction adapter of FIG. 10.  
The broken lines in the drawings are for illustrative purposes only and form no part of the claimed design.

**1 Claim, 10 Drawing Sheets**



(56)

**References Cited**

U.S. PATENT DOCUMENTS

6,458,109 B1 \* 10/2002 Henley et al. .... 604/305  
 6,685,681 B2 \* 2/2004 Lockwood et al. .... 604/305  
 6,752,794 B2 6/2004 Lockwood et al.  
 6,936,037 B2 8/2005 Bubb et al.  
 6,951,553 B2 10/2005 Bubb et al.  
 7,108,683 B2 9/2006 Zamierowski  
 7,520,872 B2 \* 4/2009 Biggie et al. .... 604/319  
 7,645,269 B2 1/2010 Zamierowski  
 7,651,484 B2 \* 1/2010 Heaton et al. .... 604/313  
 7,781,639 B2 8/2010 Johnston et al.  
 7,794,438 B2 9/2010 Henley et al.  
 7,857,806 B2 \* 12/2010 Karpowicz et al. .... 604/305  
 7,880,050 B2 2/2011 Robinson et al.  
 8,021,347 B2 9/2011 Vitaris et al.  
 8,083,712 B2 12/2011 Biggie et al.  
 8,350,115 B2 \* 1/2013 Heaton et al. .... 604/289  
 8,382,731 B2 \* 2/2013 Johannison .... 604/319  
 2006/0079852 A1 4/2006 Bubb et al.  
 2008/0287892 A1 \* 11/2008 Khan et al. .... 604/313

2009/0099519 A1 \* 4/2009 Kaplan ..... 604/313  
 2009/0143753 A1 \* 6/2009 Blott et al. .... 604/315  
 2009/0227968 A1 \* 9/2009 Vess ..... 604/313  
 2010/0087767 A1 4/2010 McNeil  
 2010/0160901 A1 \* 6/2010 Hu et al. .... 604/543  
 2010/0324510 A1 12/2010 Andresen et al.  
 2010/0324516 A1 12/2010 Braga et al.  
 2011/0028919 A1 2/2011 Johnnison et al.  
 2011/0125066 A1 5/2011 Robinson et al.  
 2012/0116334 A1 5/2012 Albert et al.  
 2013/0172836 A1 \* 7/2013 Vess et al. .... 604/319  
 2013/0310809 A1 11/2013 Armstrong et al.  
 2013/0317463 A1 \* 11/2013 Yao et al. .... 604/319

FOREIGN PATENT DOCUMENTS

WO WO 2009/126103 10/2009  
 WO WO 2010/094957 8/2010  
 WO WO 2011/087871 A2 7/2011  
 WO WO 2011/091952 8/2011

\* cited by examiner

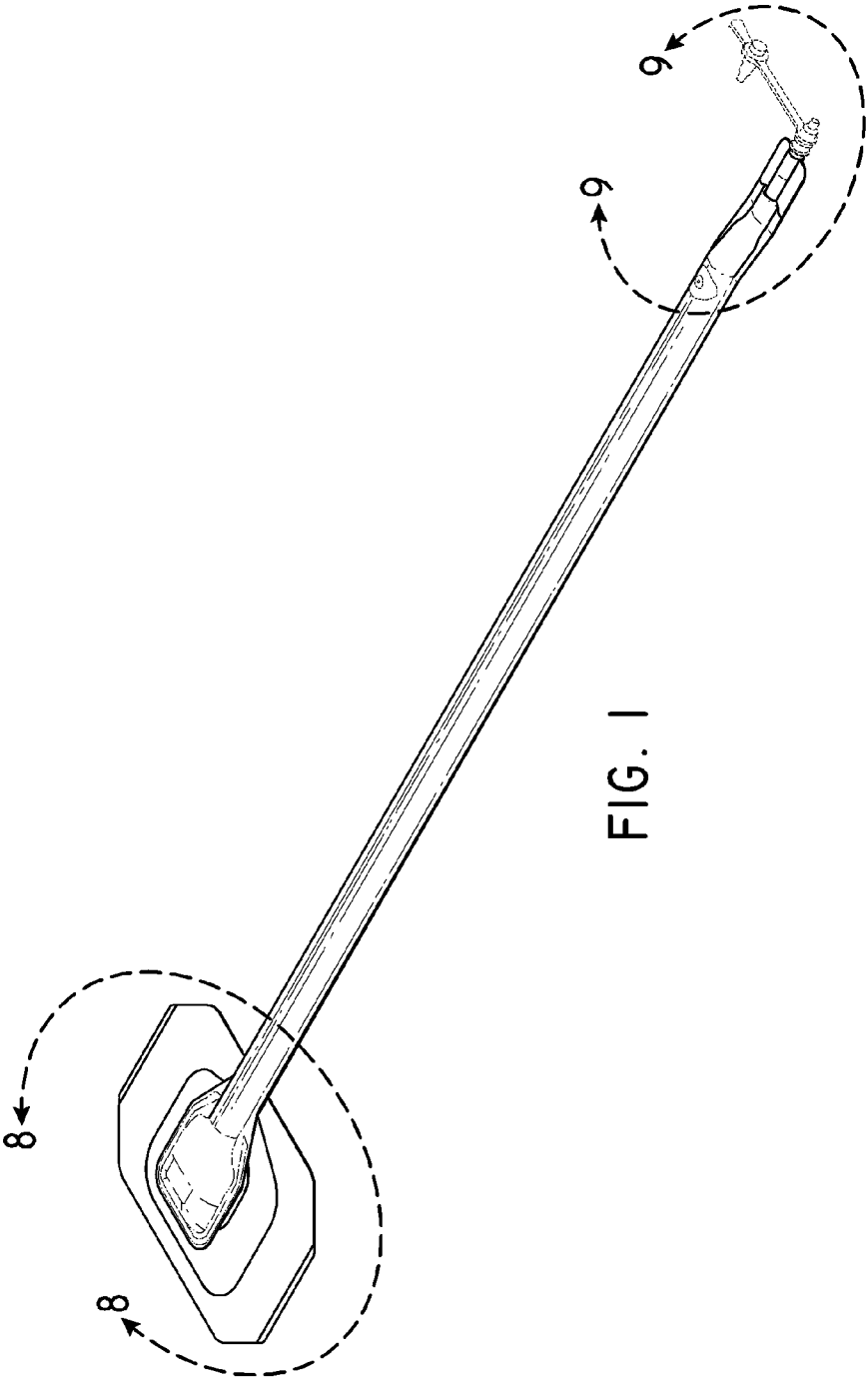


FIG. 1

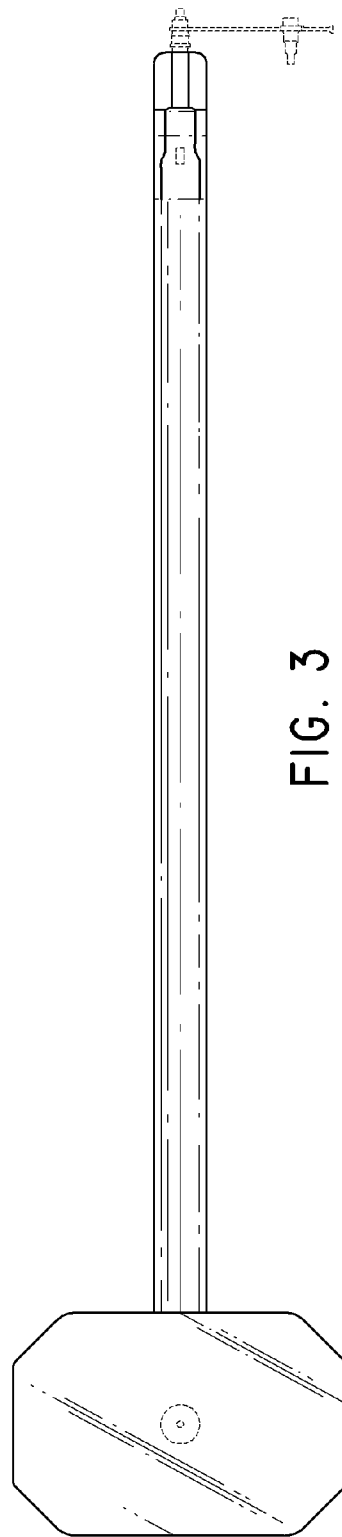
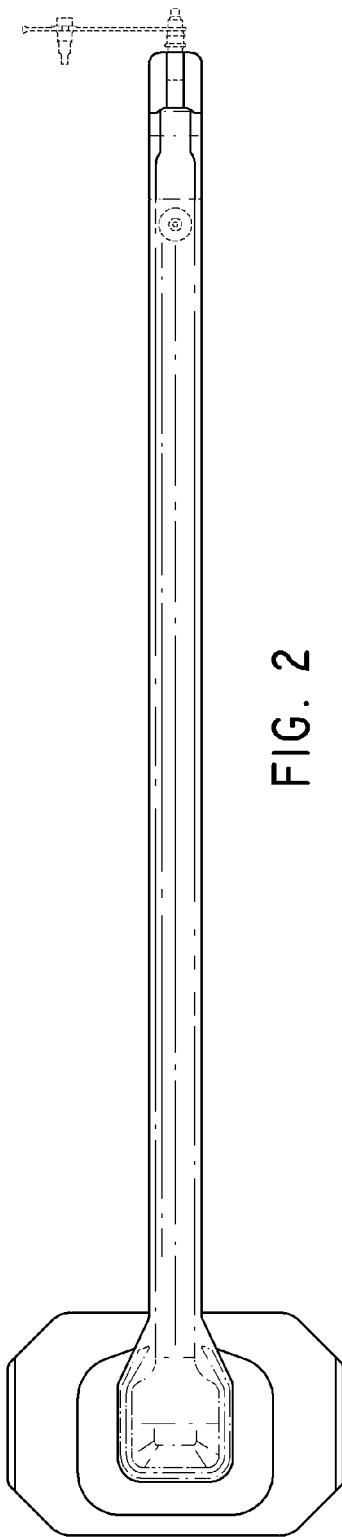




FIG. 5



FIG. 4



FIG. 6



FIG. 7

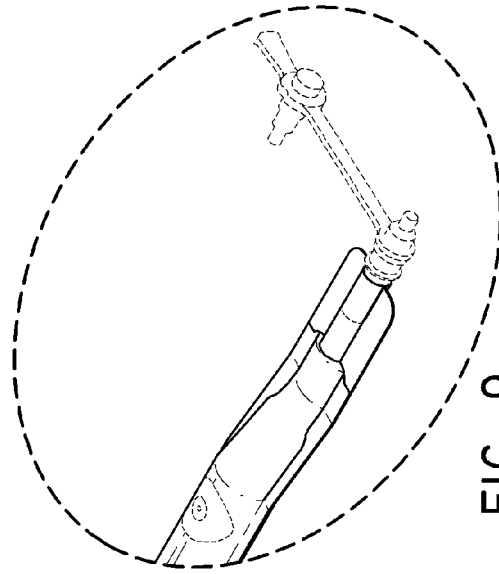


FIG. 9

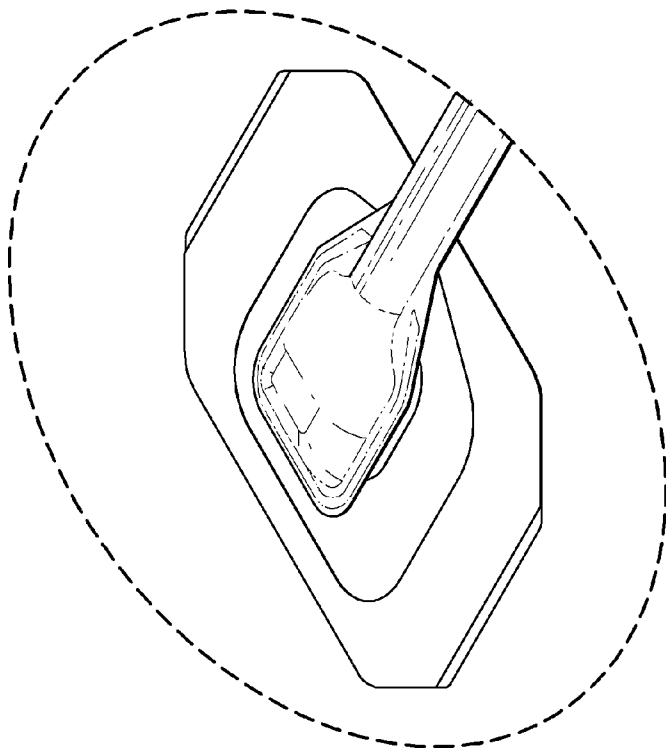
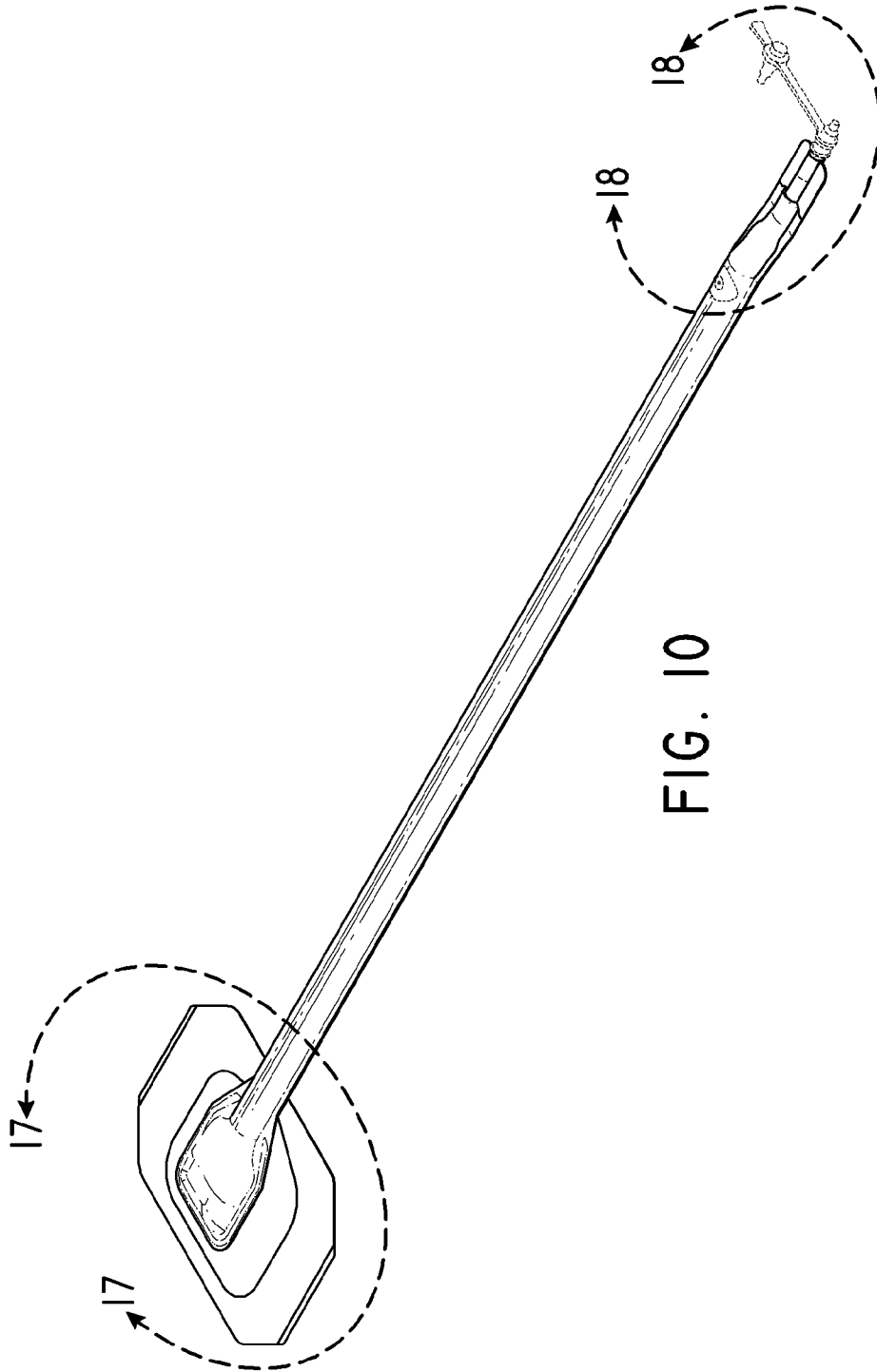


FIG. 8





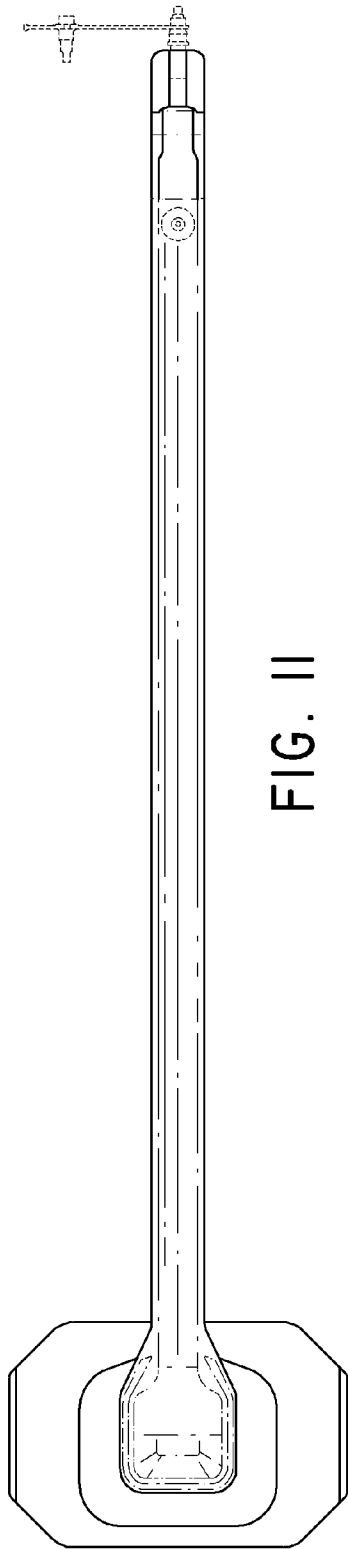


FIG. 11

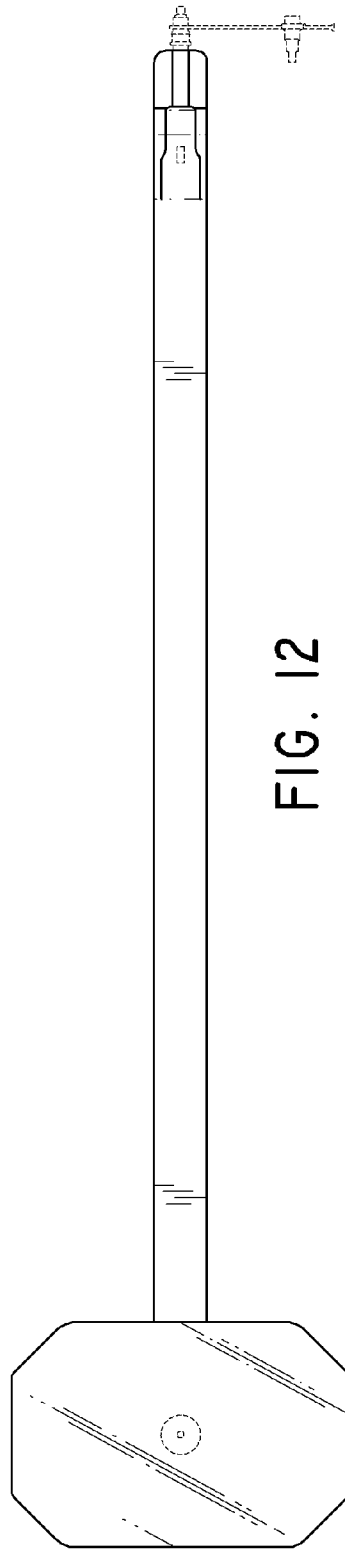


FIG. 12



FIG. 14



FIG. 13



FIG. 15



FIG. 16

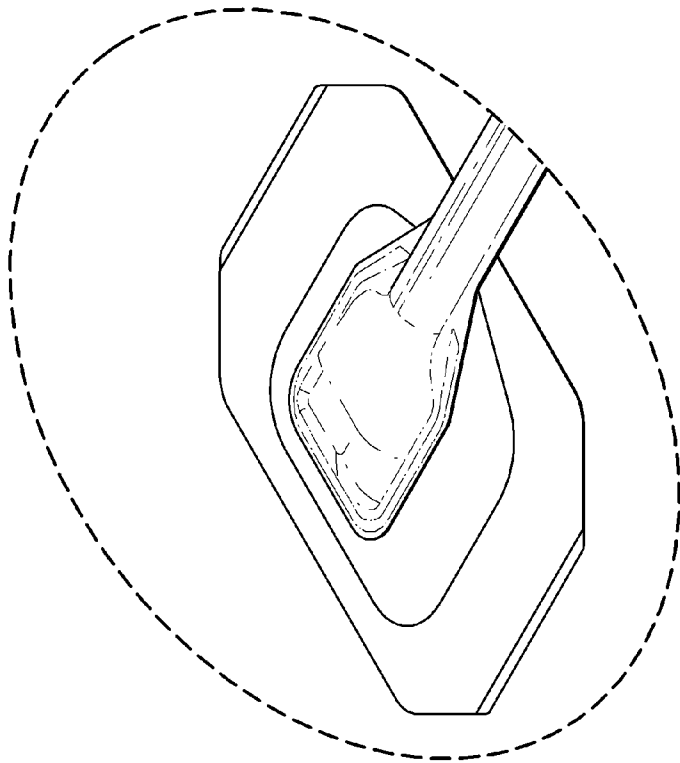


FIG. 17

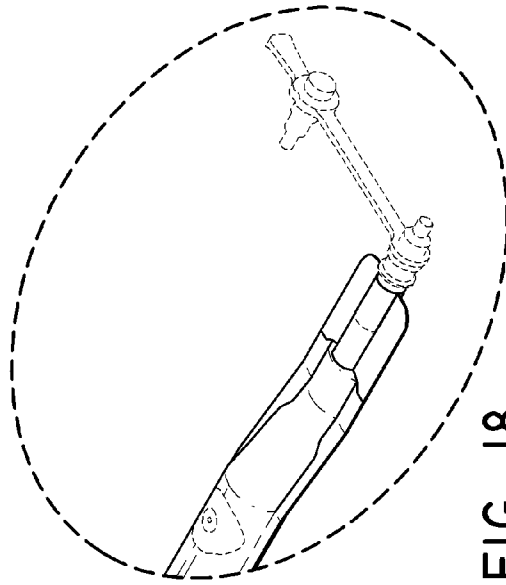


FIG. 18