

19



Octrooi Centrum
Nederland

11

2010538

12 C OCTROOI

21 Aanvraagnummer: **2010538**

51 Int.Cl.:
E02F 3/90 (2006.01) *G01N 21/85* (2006.01)
G01N 15/14 (2006.01)

22 Aanvraag ingediend: **28.03.2013**

43 Aanvraag gepubliceerd:
-

73 Octrooihouder(s):
IHC Systems B.V. te Sliedrecht.

47 Octrooi verleend:
30.09.2014

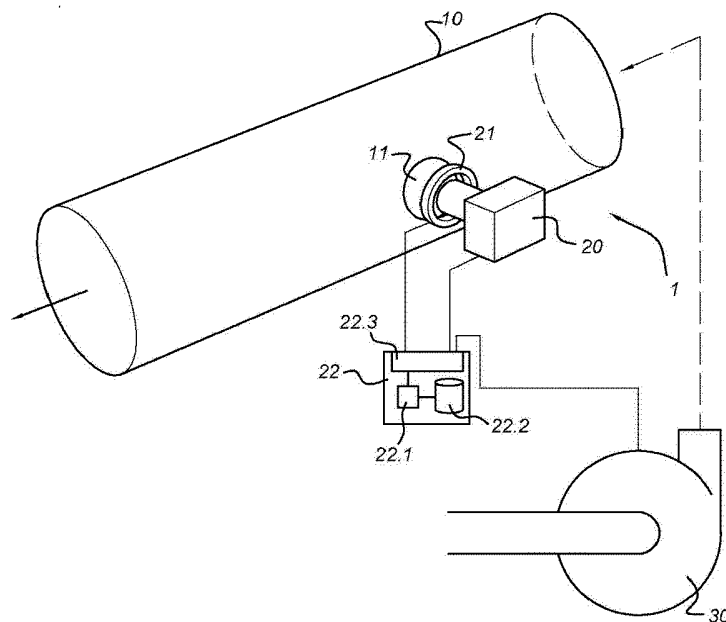
72 Uitvinder(s):
Cornelis de Keizer te Dordrecht.

45 Octrooischrift uitgegeven:
08.10.2014

74 Gemachtigde:
Dr. R. Jorritsma c.s. te Den Haag.

54 **Measurement device for performing measurement on a mixture of water and collected material.**

57 The invention relates to a measurement device for performing measurements on a mixture of water and collected material. The measurement device comprises a pipe section through which the mixture can be guided, the pipe section comprising a window. The measurement device comprises an image capturing device arranged to capture an image of the collected material through the window. The image can be used to determine a gram size distribution of the collected material, which can be used to optimize the collecting process.



NL C 2010538

Dit octrooi is verleend ongeacht het bijgevoegde resultaat van het onderzoek naar de stand van de techniek en schriftelijke opinie. Het octrooischrift komt overeen met de oorspronkelijk ingediende stukken.

**Measurement device for performing measurement on a
mixture of water and collected material**

FIELD OF THE INVENTION

5 The present invention relates to a measurement device for performing measurements on a mixture of water and collected material. The invention further relates to a method of transporting a mixture of water and collected material.

PRIOR ART

10 Vessels for collecting material from an underwater bottom are known.

 Examples of such vessels are dredging vessels, such as trailing suction hopper dredgers, cutter suction dredgers. Dredging vessels are used to maintain the depth of or deepen shipping channels, to dredge new shipping channels, and for sand and gravel extraction, for example for infrastructure projects and land reclamation.

15 Another example are a mining vessels, which are used to collect mining material from the underwater bottom. The mined material may comprise minerals, hydrates, diamonds, gold, copper, manganese, nickel, zinc.

 The term collected material used in this text therefore refers to both dredged material and mined material. The collected material comprises a plurality of grains.

20 The collected material may be loaded into a loading space (hopper) or may be discharged via a discharge pipe line to a remote location.

 On hopper dredgers the dredged material, also referred to as soil, is pumped into the loading space of the dredging vessel. In order to do this, the dredged material is mixed with water, creating a slurry, which can be pumped. When the slurry is in the
25 loading space, the dredged material will settle.

 The determination of the settling speed of the dredged material in the loading space of the dredging vessel is an important parameter for ensuring that the dredging is as efficient as possible. This also applies to mined materials which are stored in a loading space or processed by a concentration plant.

30 Depending on the type of work, widely differing materials are dredged or mined, which may have different typical sizes: sludge, clay, fine sand, coarse sand, gravel, rock, minerals, hydrates and often a combination thereof. The settling speed of the material depends on the grain size of the collected material.

The speed with which the loading space is filled and the ratio between the amount of water and dredged material in the slurry preferably matches the settling speed of the collected material to make the dredging or mining process as efficient as possible.

5 If the loading space is filled too quickly, a part of the collected material will not be given enough time to settle and will leave the ship once more via an overflow. Filling which is too slow is not attractive from a cost perspective. It is therefore very important to know how quickly the collected material settles.

10 To allow the loading process to run as efficiently as possible, it is necessary to know the settling speed: sludge does not settle, fine sand settles very slowly, coarse sand more quickly, whereas gravel and rock drop immediately. Depending on this settling speed and the associated speed at which the height of the settled bed rises, the dredging or mining process can be devised differently in terms of loading speed and density of the slurry, so that the settling process will run more efficiently.

15 Different methods are known to optimize the dredging or mining process. For instance, the height of the settled bed can be monitored during dredging via radioactive means, or indirect calculated by pressure measurements. Information about the determined height of the settled bed and the increase of the determined height can be used to control the dredging or mining process. Also, information about the average grain size of the collected material can be derived.

20 However, such methods require relatively complicated and vulnerable sensor equipment. Also, such methods only provide information about an average grain size. Furthermore, as the increase of the settled bed is a relatively slow process, information about the average grain size is only available with a certain delay, typically in the order of 5 – 10 minutes. Consequently, adjusting the dredging or mining process can only be
25 done with a delay.

In case the mixture of water and collected material is to be discharged via a discharge pipe line, for instance from a loading space or directly after it has been collected, detailed information about the grain size of the collected material is also advantageous, as this information can be used to determine an appropriate discharge
30 flow speed, in which settling of the collected material inside the discharge pipe line is prevented or at least minimized. This aspect is important in both dredging and mining.

BRIEF DESCRIPTION

One object is to provide a method and a device for obtaining more detailed information about the grain size of collected material, i.e. material collected from an underwater bottom such a dredged or mined material. An other object is to provide a method and a device for obtaining information about the grain size of the collected material more quickly.

This object is achieved by a measurement device for performing measurements on a mixture of water and collected material, the measurement device comprising a pipe section through which the mixture can be guided, the pipe section comprises a window, and the measurement device comprises an image capturing device arranged to capture an image of the collected material through the window.

Collected material may be dredged material or mined material. The material collected from an underwater bottom is transported through a pipe towards the loading space of a vessel and/or the mixture is discharged via a discharge pipe line. Discharge may take place directly or may take place from a loading space.

The pipe section may be part of a collecting pipe for collecting material from an underwater bottom, but may also be part of a discharge pipe line for discharging the mixture. The pipe section may be positioned upstream of downstream of a pump for transporting the mixture through the pipe section.

In a pipe section a window is mounted and through this window images of the passing (soil) grains are taken. The window is translucent for at least a wavelength used by the image capturing device.

The image capturing device may be an analogue or digital video or photo camera and is positioned outside the pipe section.

Such a measurement device has the advantage that information can be obtained about the dredged material, in particular about the grain size, such as for instance about the average grain size or about the grain size distribution. This information is available relatively quickly, for instance within seconds, as the information can easily be retrieved from the image by appropriate image processing and recognition techniques. Also, this information can be determined and updated constantly during dredging.

Control signals to control dredging or mining equipment may be based on such information, as will be discussed in more detail below .

According to an embodiment the measurement device comprises a control unit

arranged to receive an image captured by the image capturing device and analyse the image to determine information about the collected material, such as about an average grain size and a grain size distribution of the dredged material.

5 The term grain size is used here to refer to all sorts of measures that may be used to reflect information about the grain size, such as radius, diameter, perimeter.

Grain sizes can be determined by analyzing captured images using appropriate processing techniques. An average grain size may be computed relatively quickly, allowing to control the dredging process in response to the determined average grain size.

10 Instead of determining an averaged grain size, information about a grain size distribution of the dredged material may now be determined. This information may for instance comprise an average grain size and a standard deviation of the grain size or any other suitable statistical parameter(s).

15 By determining (information about) a grain size distribution, the dredging or mining process can be controlled to be more efficient.

For instance, in case of dredging process, if only an average grain size is computed, the operator or software may decide to set the dredging speed at a moderate speed to allow the grains to settle and reduce the amount of grains leaving via the overflow. However, if a grain size distribution is known showing that the mixture comprises grains too
20 small to settle within a reasonable time and further comprises grains big enough to settle very quickly, the dredging speed may be set at a higher speed, as the small grains will leave via the overflow anyway and the big grains will settle anyway.

The measurement device, in particular the control unit, may be arranged to generate control signals to control operating parameters of dredging or mining
25 equipment. The information about a grain size distribution of the dredged material may also comprise a plurality of ranges of sizes, including an indication of the amount of grains falling within these ranges. In the dredging industry this is done according to the British Standard 1377 (dry sieving). The soil is sieved by using a mechanical sieve apparatus. The distribution may for instance look as follows:

30

Particle size [μm] (sieve diameter)	Percentage on sieve [%]
4000	0,0
2800	0,0
2000	16,4
1400	10,6
1000	10,2
710	10,0
500	8,2
355	9,9
250	14,3
180	12,6
125	5,3
90	1,2
75	0,3
63	0,9
45	0,1
38	0,0

The information about a grain size distribution of the dredged material may also be in the form of a formulae, such as a polynomial.

5 According to an embodiment the control unit is arranged to analyse the image to determine information about at least one of the average grain size and the grain size distribution of the collected material using image recognition techniques.

The control unit may determine information about a plurality of grains in the image and compute an average or grain size distribution from this. The control unit may also determine information about a plurality of grains in a plurality of captured images and
10 compute a single grain size distribution based on the information from the plurality of images.

According to an embodiment the measurement device comprises a light source, for instance a flash light, arranged to generate a light beam to light at least part of the slurry in the image of the image capturing device.

15 The light source may be a LED light. Also, by using the light source in a flash

mode, a relatively high power can be applied to the light source, without the risk of overheating the light source.

According to an embodiment the light source is ring-shaped light source positioned concentrically with respect to a viewing direction of the image capturing device. The ring-shaped light source may be positioned around the image capturing device such that light emitted enters the window.

The ring-shaped light source may be a LED-ring, i.e. a plurality of LED's positioned in a ring configuration.

The ring-shaped light source may have a diameter of 50 mm.

The ring-shaped light source may have a diameter that is substantially equal (within 15%) to the dimension of the window. In case the window is round, the diameter of the ring-shaped light source may be substantially equal to the diameter of the window.

The image capturing device may comprise a lens. The lens may have a diameter of approximately 16 mm.

According to an embodiment the measurement device comprising a density measurement device for measuring a density of the mixture.

Density measurement devices are known, such as a density measurement device arranged to radiate a radio-active or electromagnetic radiation through a pipe section and a density can be determined by measuring the amount of radiation penetrating the pipe section. Alternative density measurement devices are based on weighing a pipe section, as the weight depends on the density of the mixture.

The density measurement device may be used to determine whether or not dredged material is passing. If the density of the mixture is larger than water, but no (or very few) grains are detected by the image capturing device, then one knows that very fine dredged material is passing; that means material with a grain size smaller than the video image resolution (e.g. 50 or 100 μm).

Control signals to control dredging or mining equipment may be based on such information.

The measured density may also be used to estimate the occurrence of overlapping grains. If the density is relatively high, the determined (information of) grain size distribution may be corrected to take into account the fact that some grain sizes are incorrect as grains may be overlapping in a captured image, which may result in

smaller grains not being detected or being measured as smaller than they actually are.

According to an embodiment the image capturing device is arranged to capture an image which has a movement blur of less than 100 μm , preferably less than 50 μm .

5 Grains smaller than approximately 100 μm will not settle, at least not within a period of time relevant for dredging processes. So, movement blur in the range of 50 μm - 100 μm is acceptable, as there is no added value in determining a detailed grain size distribution below 100 μm as all grains smaller than 100 μm will behave similar, i.e. will not settle.

10 According to an embodiment the image capturing device is arranged to capture an image with a shutter time of 0,00001s or less.

The mixture will typically have a velocity of 10 m/s in the radial middle of the pipe section, and a velocity of 5 m/s close to the wall of the pipe section. Choosing a shutter time of 0,00001s will thus result in a movement blur of 100 μm in the middle of the pipe section and a movement blur of 50 μm close to the wall of the pipe section.
15 Advantageously, the images are captured relatively close to the wall of the pipe section, so a blur of 50 μm or less is acceptable.

According to an embodiment the window is arranged to withstand a pressure difference of 30 bar, preferably 35 bar, between an inside of the pipe section and an outside of the pipe section.

20 As the pressure of the dredged material may be 36 bar, the window should be strong enough to withstand such pressures. The window may therefore be relatively thick, for instance has a thickness of at least 50% of its lateral dimensions. The window may for instance be round having a diameter of 50mm or 25 mm and having a thickness of 16 mm or more.

25 According to an embodiment the image capture device is arranged to capture images in black and white.

This allows to capture images with a relatively high sensitivity with respect to colour images. That means that with black and white images less light is required and/or shorter shutter times (for sharper images) can be used.

30 According to an embodiment the image capturing device is set to capture an image with a focusing area positioned at a distance behind the window, the distance being in the range of 1 – 5 mm. Higher distances are difficult to achieve as the grain density is too high to look further into the mixture.

A diaphragm may be used to realise a desired Depth of Field (DOF). The DOF may typically be in the range of 3 – 5 mm, in particular 4 mm, where the image distance of interest is 1 – 5 mm behind the window.

5 According to an embodiment wherein the control unit (22) is arranged to generate control signals to control at least one of a pump, a visor (33) , a water flap (34), a hoisting device, a water valve or swing winches based on one or more captured images of the collected material, for instance in dependence on determined information about the collected material.

10 In case of a cutter dredger, the control signals may in particular directed to a pump, water valve, hoisting winch, swing winches. In case of a trailing suction hopper dredger a hoisting winch may be added to this list.

The pump may be a collecting pump or a discharge pump. In case the measurement device is employed in a dredging process, the pump may be a collecting pump. The dredging equipment may comprise a drag head comprising a visor and possibly a water flap which can be controlled. The position of the suction tube to which the drag head is attached can be controlled by a hoisting device.

The dredging equipment may also be a cutter dredger, in which case at least the collecting pump, a water valve in a collecting pipe, a hoisting device and swing winches can be controlled.

20 According to an aspect there is provided a vessel, such as a dredging vessel or a mining vessel, comprising a measurement device as described above. The dredging vessel may for instance be a trailing suction hopper dredger or a cutter suction dredger.

25 According to an aspect there is provided a vessel for collecting material from an underwater bottom, the vessel comprising a collecting pipe which has a free end , which free end can be lowered to an underwater position, the vessel comprising a collecting device located at or in the vicinity of the collecting pipe, the vessel further comprising a pump, wherein the collecting pipe comprises a pipe section, the pipe section comprising a window, and the measurement device comprises an image capturing device arranged to capture an image of the collected material through the window.

30 The device may be a drag head, a cutter or a mining tool. The collecting pipe can be lowered by a hoisting device.

According to an embodiment the vessel comprises a discharge pump for

discharging the mixture via a discharge pipe line, the discharge pipe line comprising a pipe section, the pipe section comprising a window, and the measurement device comprises an image capturing device arranged to capture an image of the collected material through the window.

5 The pump for collecting and discharging may be one and the same pump or may be separate pumps.

 According to an embodiment the dredging vessel comprises a control unit arranged to receive and analyse at least one image captured by the image capturing device and generate control signals to control at least one of a collecting pump, a discharge pump, a visor, a water flap, a hoisting device, a water valve or one or more swing winches in dependence on the at least one captured image, in particular in dependence of determined information about one of an average grain size and a grain size distribution of the collected material.

 This allows to quickly control and optimize the dredging process in response to the information obtained from the images. Instead of the average grain size and/or a grain size distribution of the collected material, other information relating to the grain size may be used as well to generate control signals.

 According to an aspect there is provided a mining vessel comprising a measurement device as described above.

20 According to an aspect there is provided a method of transporting a mixture of water and collected material, wherein the method comprises:

- operating a pump to pump the mixture through a pipe,
- capturing at least one image of the collected material flowing through the pipe and analyzing the at least one image,
- 25 - controlling at least one of the ratio of water and collected material in the mixture and the operating speed of the pump based on the captured image.

 The pump may be a collecting pump or a discharge pump. The pipe may be a collecting pipe or a discharge pipe line or may be in fluid communication with one of those.

30 Controlling the operating speed of the pump may be advantageous when collecting material to optimize the collecting process.

 Controlling the operating speed of the pump may be advantageous to prevent or at least minimize settling of collected material inside the pipe line and/or prevent or at

least minimize excessive wear of an inside of the (discharge) pipe line. This may in particular be advantageous in case the material is to be discharged via a discharge pipe line to a remote location, for instance from a mining or dredging vessel to the shore.

5 According to an embodiment the method is part of a dredging or mining process, the method comprises:

- collecting material from an underwater bottom or from loading space by loosening material from the underwater bottom or from the loading space and mixing the material with water creating the mixture of water and collected material.

10 According to an embodiment analyzing the at least one image comprises determining information about at least one of an average grain size and a grain size distribution of the collected material.

According to an embodiment controlling the ratio of water and collected material in the mixture can be done by one or more of

- controlling a rotational speed of the pump,
- 15 - controlling a position of a visor provided on a drag head of a trailing suction hopper dredger,
- controlling a water flap provided on the drag head of a trailing suction hopper dredger,
- controlling a depth of the excavation tool by a hoisting device,
- 20 - controlling a water valve provided on the collecting pipe of a cutter dredger and
- controlling a swing speed of a cutter dredger by swing winches.

The drag head may be used for collecting material from an underwater bottom. The excavation tool may be a drag head but may also be a cutter.

25 BRIEF DESCRIPTION OF THE DRAWINGS

Embodiments of the invention will be described below, purely by way of example, with reference to the accompanying schematic drawings, wherein corresponding components are indicated by corresponding reference symbols, and wherein:

30 Fig. 1 schematically shows an embodiment of a measurement device according to an embodiment,

Fig. 2 shows an image captured by a measurement device according to an embodiment,

Fig. 3 schematically shows a collecting vessel according to an embodiment, and Fig. 4 schematically shows a collecting vessel according to another embodiment.

The drawings are intended for illustrative purposes only, and do not serve to restrict the scope of protection, which is defined by the claims.

5

DETAILED DESCRIPTION

Embodiments will be discussed with reference to the figures.

Fig. 1 schematically shows a measurement device 1 for performing measurements of grain sizes present in a mixture of water and dredged material flowing through a pipe section 10.

The pipe section 10 may be part of a collecting pipe used to pump the mixture from an underwater bottom to a loading space. The pipe section 10 may also be part of a discharge pipe line for discharging a mixture of water and collected material. The pipe section 10 may also be a relatively small side branch of the collecting pipe or discharge pipe.

The pipe section 10 comprises a window 11. The window may be round having a diameter of 50 mm. The window may be translucent to light and have a thickness of 16 mm or more, to withstand the high pressure inside the pipe section 10.

In front of the window 11 an image capturing device 20 is positioned. The image capturing device 20 may be a digital camera. The image capturing device 20 is orientated such that it can capture an image of the mixture through the window 11. The image capturing device 20 comprises a lens directed to the window 11. The distance between the lens and the window may be less than 3 cm.

The image capturing device 20 may be capable of capturing an image which has less than 100 μ m movement blur, preferably even less than 50 μ m. This may for instance be achieved by an image capturing device which can capture an image with a shutter time of 0,00001s or less. In order to improve the sharpness of the image, the image capturing device 20 may capture images in black and white. The focusing area of the image capturing device may be in the range of 1 – 5 mm behind the window.

A light source 21 is provided and orientated such that light generated by the light source enters the pipe section 10 through the window 11. Preferably, the light source 21 is positioned such that light reflected by the window 11 does not fall upon the lens of the image capturing device 20.

In order to get an even light distribution the light source 21 may be provided by a ring-shaped light source 21 positioned around the image capturing device 20 or at least positioned concentrically with respect to a viewing line or viewing direction of the image capturing device. This ensures that the light is distributed evenly.

5 The measurement device 1 further comprises or is controlled by a control unit 22. The control unit 22 may be arranged as a computer device, comprising memory 22.2 and a processor 22.1. The control unit 22 may comprise an input/output device 22.3 to allow the control unit 22 to communicate with remote devices, such as the image capturing device 20, the light source 21 and for instance with a (collecting or discharge)
10 pump 30,60 (which will be described below).

The collecting pump 30 is used in the process of collecting material from an underwater bottom. The control unit 22 may also be arranged to communicate with a discharge pump 60, or with equipment used in collecting material (dredging equipment, mining equipment) or discharging collected material.

15 The memory 22.2 may be arranged to store data and programming lines. The processor 22.1 may be arranged to read and execute the programming lines to provide the measurement device 1 with the functionality according to the embodiments described here. Captured image may be stored in the memory 22.2. Captured image may be read from the memory 22.2 by the processor 22.1 for further analysis. The
20 programming lines may provide the control unit 22 with the functionality to analyse the captured image and determine information about a grain size distribution of the collected material from the captured image, e.g. using image recognition techniques. The information about the grain size distribution may be processed into a grain size distribution of the collected material.

25 The determined information about the grain sizes and the grain size distribution(s) may be stored in the memory 22.2.

Fig. 3 schematically shows a dredging vessel 100 comprising a loading space 101.

The dredging vessel 100 comprises a measurement device 1 as described above.
30 The dredging vessel 100 comprises a collecting pipe 31 arranged to transport a mixture of dredged material and water into the loading space 101 using a collecting pump 30. Part of the collecting pipe 31 is moveably attached to the dredging vessel 100. The collecting pipe 31 can be lowered to a position wherein its free end is at an underwater

position to rest on an underwater floor 40 (as shown in Fig. 3) and can be lifted to store the free end of the collecting pipe 31 above water, for instance on the deck of the dredging vessel 100. Lowering and lifting may be done with one or more hoisting devices 50, such as a crane 50 with a hoisting rope 51 and a hoisting winch 52.

5 The free end of the collecting pipe 31 comprises a drag head 32. The drag head may for instance comprise a visor 33 and/or a water flap 34. The visor 33 is provided at a trailing end of the drag head 32 and rotatable about an axis which is substantial horizontal and perpendicular to a dredging direction to set a dredging depth. The water flap 34 may be provided to open or close an opening in drag head 34 to regulate the
10 inflow of water into the drag head 32. The water flap may span the width of the drag head 32. The visor 33 and the water flap 34 may be controllable by the control unit 22.

 The drag head 32 may further comprise jets to provide additional water to the inside of the drag head 32 and to improve the loosening of material from the underwater bottom 40.

15 Fig. 3 further shows that the loading space 101 is filled with the mixture of water and dredged material. In the loading space 101 a settled bed 103 is formed at the bottom of the loading space 101. Above the settled bed 103 is a mixture soup 102, i.e. a mixture of water and unsettled dredged material. Further shown is that part of the mixture soup 102 leaves the loading space 101 via overflow O (depicted
20 schematically).

 It will be understood that the description of Fig. 3 will also apply to a mining vessel. Instead of a drag head, a mining tool would then be provided at the free end of the collecting pipe 31.

25 Next, the functioning of the embodiments will be described. First the dredging vessel is prepared for dredging. The drag head 32 is lowered and positioned on the underwater floor 40. The visor 33 and the water flap 34 are set in a starting position.

 The dredging vessel 100 is moved in a dredging direction DD and the drag head 32 loosens material from the underwater bottom and mixes it with water creating an mixture of water and collected material, in this example dredged material.

30 Collecting pump 30 is operated to pump the mixture through the collecting pipe 31 and also through the pipe section 10 part of the measurement device 1.

 The control unit 22 controls the image capturing device 20 to capture at least one image of the mixture through window 11. An example of such a captured image is

shown in Fig. 2.

The control unit 22 then processes the captured image using appropriate image processing techniques to determine information about the sizes of the grains present in the image. Of course, the control unit 22 may combine information from a plurality of
5 images to determine information about the sizes of the grains present in the image.

Based on the information obtained, which can be an average grain size or a grain size distribution (such as provided in the table above), the dredging process can be controlled, in particular, the ratio of water and dredged material can be altered to optimize the dredging process by reducing losses via the overflow O. Controlling the
10 ratio of water and dredged material in the mixture can be done by the control unit 20 by generating and emitting control signals via input/output device 22.3 to

- the collecting pump 30 to control a rotational speed of the pump 30,
- the visor 33 to control a position of the visor 33 provided on a drag head, and
- controlling a water flap provided on the drag head and/or
- 15 - controlling the hoisting device 50.

If the level in the loading space 101 hasn't reached the overflow level O the ratio between water and dredged material may be controlled as if the overflow has been reached. When the averaged grain size is large then more water with higher mixture speed can be used to increase the production, because the grains settle fast and the
20 excess of water can be put easily overboard as soon as the mixture level reaches the overflows.

However when the average grain size is so small that the grain hardly settles, than less water has to be used, so that the mixture level reaches the overflow level later. If more water would be used, then the overflow level O would be reached earlier and
25 overflowing would start earlier with putting more fine soil overboard than when using less water. Using too much water will thus result in larger overflow losses (which is bad for the surrounding) and requires more time to load the loading space.

For instance the measurement device can also be used for pumping mixture to shore via a discharge pipe line. The measurement device 1 or the control unit 22 can
30 then calculate the critical velocity based on the average grain size or grain size distribution, to prevent settling of grains in the discharge pipe line with the risk of blocking the discharge pipeline.

On another embodiment relating to dredging may comprise providing a collecting

pipe on a so called ladder which is with one end connected to a collecting pump for pumping the mixture and which collecting pipe is at its free end provided with a cutter head. The cutter head is positioned at the underwater bottom. The ladder - and so the cutter head - may comprise controllable members, such as a water valve to regulate the amount of water being pumped and winches. The winches may be provided at the end of the ladder and can be controlled in depth and swing speed (using swing winches) and so regulating the ratio of water and dredged material being pumped through the collecting pipe.

It will be understood that the above explanation of a dredging process may be applied *mutatis mutandis* to a mining vessel.

Fig. 4 shows an alternative embodiment, wherein a mixture is discharged via a discharge pump 60. The mixture may be discharged directly when collected from the underwater bottom (as shown in Fig. 4), in which case the collecting and discharge pump 30, 60 may be one and the same. The mixture may also be discharged from a loading space (not shown in Fig. 4).

By controlling the rotational speed (revolutions per minute) of the collecting and/or discharge pump 30, 60, the ratio of water and dredged material can be controlled. A lower rotational speed results in less water (with respect to dredged material), resulting in a higher density of the mixture. A higher rotational speed results in more water (with respect to dredged material), resulting in a lower density of the mixture.

If fine material is dredged (e.g. on a trailing suction hopper dredger) then one has to use as little water as possible, so one has to increase the density by reducing the mixture transport velocity (by reducing the pump speed) and / or by reducing the water gaps around the drag head which excavates the soil from the bottom, e.g. by closing water flaps.

For coarser material one can increase the mixture velocity by increasing the pump speed and / or the water gaps of the drag head, e.g. by opening water flaps. This increases the production and the surplus of transport water, but this is not a problem, because this can easily put overboard without too much soil, because this coarser soil settles down fast. With fine material a surplus of water takes also fine material overboard which decreases the production. For each grain size distribution there is an optimal transport velocity: a lower or higher velocity results in a smaller (than

maximum) production.

For discharging a mixture the critical velocity has to be calculated from the measurement to prevent settling of the mixture in the discharge pipe line. Mixture speeds below the critical velocity will result in settling of grains with the risk of blocking of the discharge pipeline. If the calculation is based on the average grain size the critical velocity may be calculated too low, in particular when the distribution around the average is larger than expected. In that case the discharge speed may be set too low, resulting in the settling of large grains. So the amount of large grains influences the critical mixture velocity.

It will be clear that the embodiments described above are described only by way of example and not in any limiting sense, and that different modifications and adaptations are possible without exceeding the scope of the invention, and that the scope is determined only by the attached claims

Conclusies

1. Meetinrichting voor het uitvoeren van metingen aan een mengsel van water en verzameld materiaal, waarbij de meetinrichting een pijpsectie omvat waardoorheen het
5 mengsel geleid kan worden, waarbij de pijpsectie een raam omvat, en de meetinrichting een beeldvastleginrichting omvat die is ingericht om een beeld van het verzamelde materiaal door het raam heen vast te leggen.
2. Meetinrichting volgens conclusie 1, waarbij de meetinrichting een
10 besturingseenheid omvat die is ingericht om een beeld vastgelegd door de beeldvastleginrichting te ontvangen en om het beeld te analyseren om informatie vast te stellen over het verzamelde materiaal, zoals over een gemiddelde korrelgrootte en een korrelgrootteverdeling van het verzamelde materiaal.
- 15 3. Meetinrichting volgens conclusie 2, waarbij de besturingseenheid is ingericht om het beeld te analyseren om informatie vast te stellen over ten minste een van de gemiddelde korrelgrootte en de korrelgrootteverdeling van het verzamelde materiaal onder gebruikmaking van beeldherkenningstechnieken.
- 20 4. Meetinrichting volgens een van de voorgaande conclusies, omvattend een lichtbron, bijvoorbeeld een flitslicht, ingericht om een lichtstraal te genereren om ten minste een deel van de slurry in het beeld van de beeldvastleginrichting te verlichten.
- 25 5. Meetinrichting volgens conclusie 4, waarbij de lichtbron een ringvormige lichtbron is die concentrisch gepositioneerd is ten opzichte van de kijkrichting van de beeldvastleginrichting.
6. Meetinrichting volgens een van de voorgaande conclusies, omvattende een
30 dichtheidsmeetinrichting voor het meten van een dichtheid van het mengsel.
7. Meetinrichting volgens een van de voorgaande conclusies, waarbij de beeldvastleginrichting is ingericht om een beeld vast te leggen dat een bewegingsonscherpte van minder dan 100 μm , bij voorkeur minder dan 50 μm heeft.

8. Meetinrichting volgens conclusie 7, waarbij de beeldvastleginrichting is ingericht om een beeld vast te leggen met een sluitertijd van 0,00001 s of minder.
- 5 9. Meetinrichting volgens een van de voorgaande conclusies, waarbij het raam is ingericht om een drukverschil te weerstaan van 30 bar, bij voorkeur 35 bar, tussen een binnenkant van de pijpsectie en een buitenkant van de pijpsectie.
- 10 10. Meetinrichting volgens een van de voorgaande conclusies, waarbij de beeldvastleginrichting is ingericht om beelden in zwart en wit vast te leggen.
- 15 11. Meetinrichting volgens een van de voorgaande conclusies, waarbij de beeldvastleginrichting ingesteld is om een beeld vast te leggen met een scherpstelgebied gepositioneerd op een afstand achter het raam, waarbij de afstand in het bereik van 1-5 mm ligt.
- 20 12. Meetinrichting volgens een van de voorgaande conclusies, waarbij de besturingseenheid (22) is ingericht om besturingssignalen te genereren om ten minste een van een pomp, een vizier (33), een waterflap (34), een hijsinrichting, een waterklep of schommellieren te besturen gebaseerd op een of meer vastgelegde beelden van het verzamelde materiaal, bijvoorbeeld in afhankelijkheid van vastgelegde informatie over het verzamelde materiaal.
- 25 13. Vaartuig (100), zoals een baggervaartuig of een mijnbouwvaartuig, omvattende een meetinrichting volgens een van de conclusies 1-12.
- 30 14. Vaartuig voor het verzamelen van materiaal van een onderwaterbodem, waarbij het vaartuig een verzamelpijp omvat die een vrij uiteinde heeft, welk vrije uiteinde verlaagd kan worden tot een onderwaterpositie, waarbij het vaartuig een verzamelinrichting omvat die op of in de nabijheid van de verzamelpijp is gepositioneerd, waarbij het vaartuig voorts een pomp (30, 60) omvat, waarbij de verzamelpijp een pijpsectie omvat, waarbij de pijpsectie een raam omvat, en de meetinrichting een beeldvastleginrichting omvat die is ingericht om een

beeld van het verzamelde materiaal door het raam heen vast te leggen.

15. Vaartuig volgens een van de conclusies 13-14, waarbij het vaartuig een afvoerpomp omvat voor het afvoeren van het mengsel via een afvoerpijplijn, waarbij de afvoerpijplijn een pijpsectie omvat, waarbij de pijpsectie een raam omvat, en de meetinrichting een beeldvastleginrichting omvat die ingericht is om een beeld vast te leggen van het verzamelde materiaal door het raam heen.

16. Vaartuig volgens een van de conclusies 13-15, waarbij het baggervaartuig een besturingseenheid (22) omvat die ingericht is om ten minste een beeld vastgelegd door de beeldvastleginrichting te ontvangen en te analyseren en om besturingssignalen te genereren om ten minste een van een verzamelomp (30), een afvoerpomp (60), een vizier (33), een waterflap (34), een hijsinrichting (50), een waterklep of een of meer schommellieren te besturen in afhankelijkheid van het ten minste ene vastgelegde beeld, in het bijzonder in afhankelijkheid van vastgestelde informatie over een van een gemiddelde korrelgrootte en een korrelgrootteverdeling van het verzamelde materiaal.

17. Mijnbouwvaartuig omvattende een meetinrichting volgens een van de conclusies 1-12.

20

18. Werkwijze voor het transporteren van een mengsel van water en verzameld materiaal, waarbij de werkwijze omvat:

- het bedienen van een pomp om het mengsel door een pijp te pompen,
- het vastleggen van ten minste een beeld van het verzamelde materiaal dat door de pijp stroomt en het analyseren van het ten minste ene beeld,
- het besturen van ten minste een van de verhouding van water en verzameld materiaal in het mengsel en de bedrijfssnelheid van de pomp gebaseerd op het vastgelegde beeld.

19. Werkwijze volgens conclusie 18, waarbij de werkwijze deel uitmaakt van een bagger- of mijnbouwproces, waarbij de werkwijze omvat: - het verzamelen van materiaal van een onderwaterbodem of van een laadruimte door het losmaken van materiaal van de onderwaterbodem of van de laadruimte en het mengen van het

30

materiaal met water zodat het mengsel van water en verzameld materiaal wordt gevormd.

20. Werkwijze volgens een van de conclusies 18-19, waarbij analyseren van het ten
5 minste ene beeld omvat het vaststellen van informatie over ten minste een van een gemiddelde korrelgrootte en een korrelgrootteverdeling van het verzamelde materiaal.

21. Werkwijze volgens een van de conclusies 18-20, waarbij het besturen van de
10 verhouding van water en verzameld materiaal in het mengsel gedaan kan worden door een of meer van

- het besturen van een draaisnelheid van de pomp,
- het besturen van een positie van een vizier aangebracht op een sleepkop van een sleephopperzuiger,
- het besturen van een waterklep aangebracht op de sleepkop van een
15 sleephopperzuiger,
- het besturen van een diepte van het afgraafgereedschap door een hijsinrichting (50),
- het besturen van een waterklep aangebracht op de verzamelpijp van een snijkopzuiger en
- 20 - het besturen van een schommelsnelheid van een snijkopzuiger door schommellieren.

25

Fig. 1

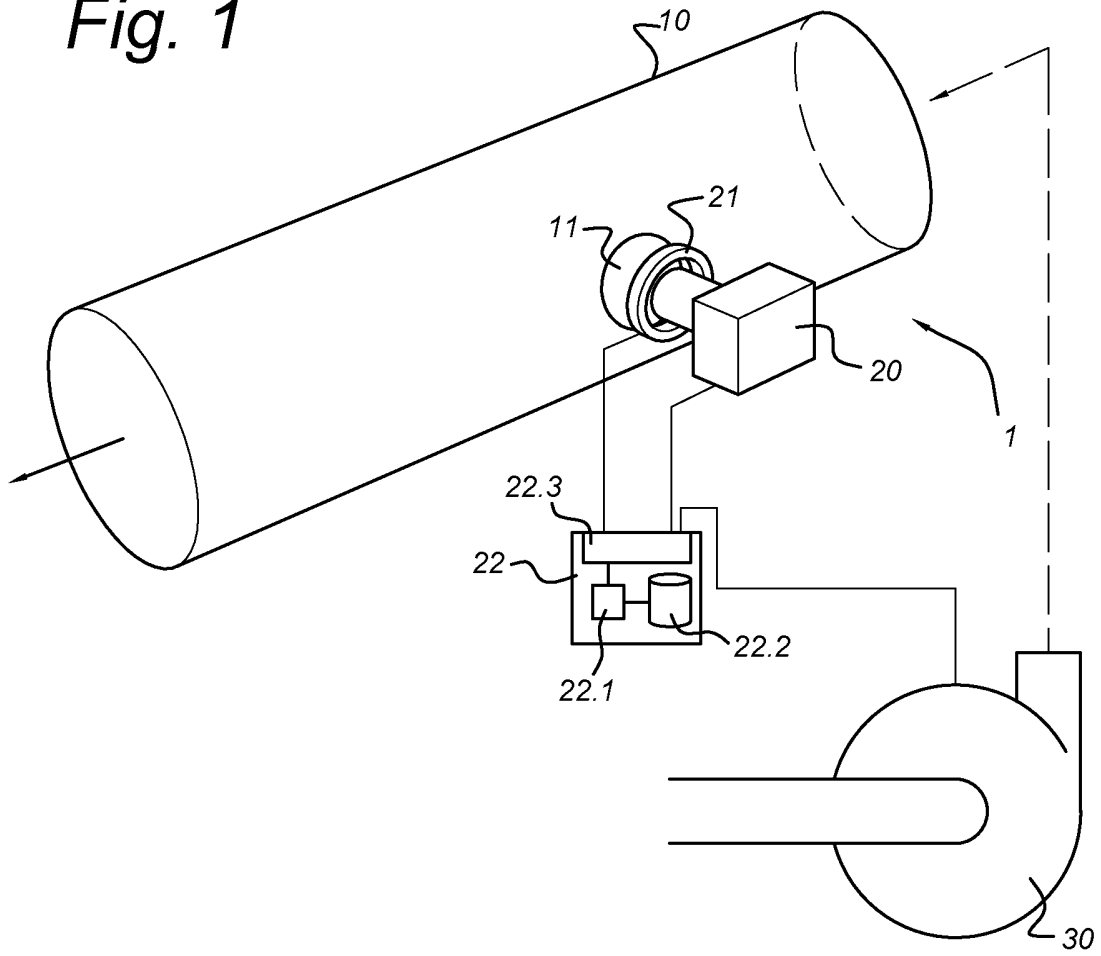


Fig. 2



Fig. 3

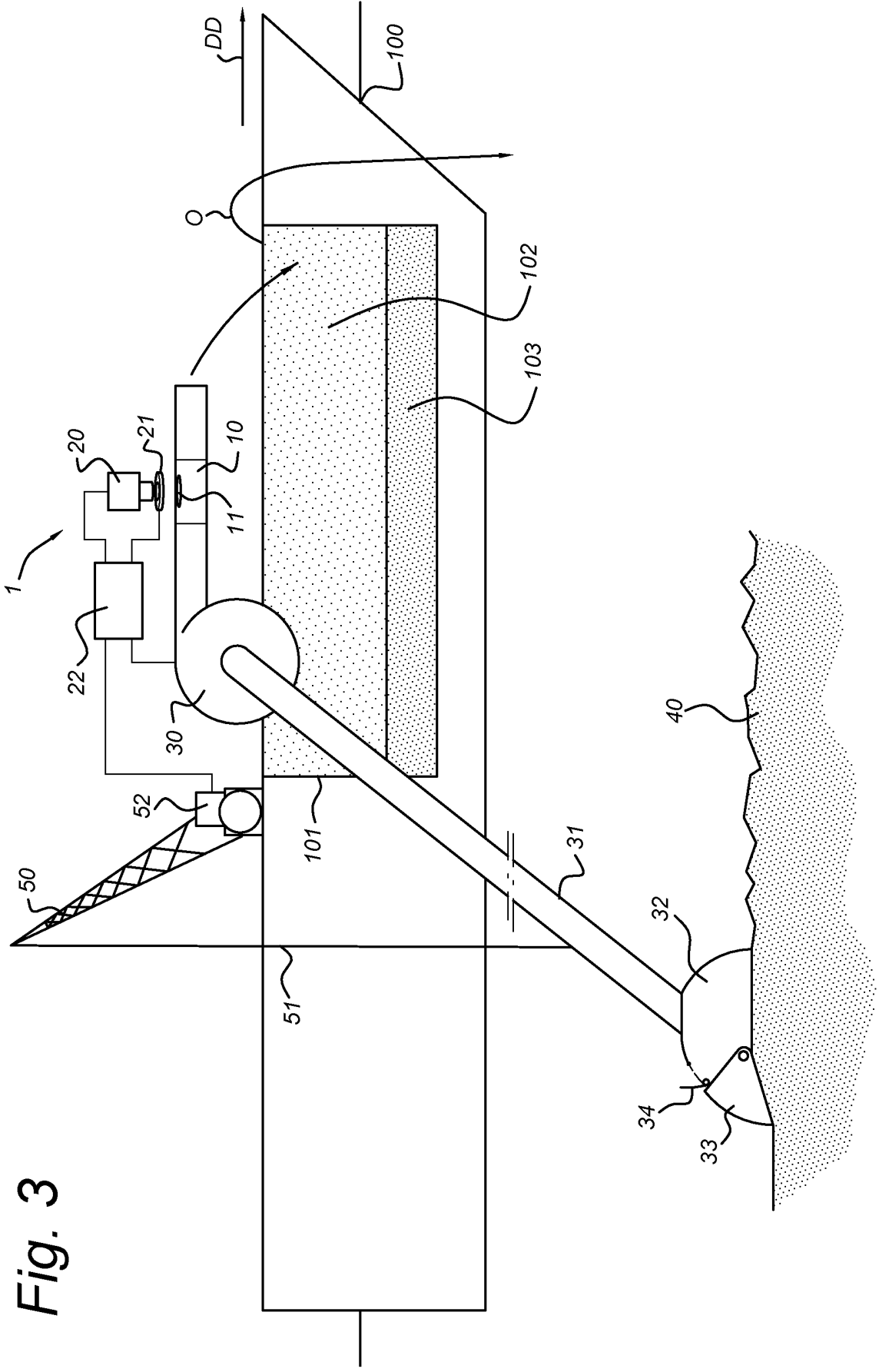
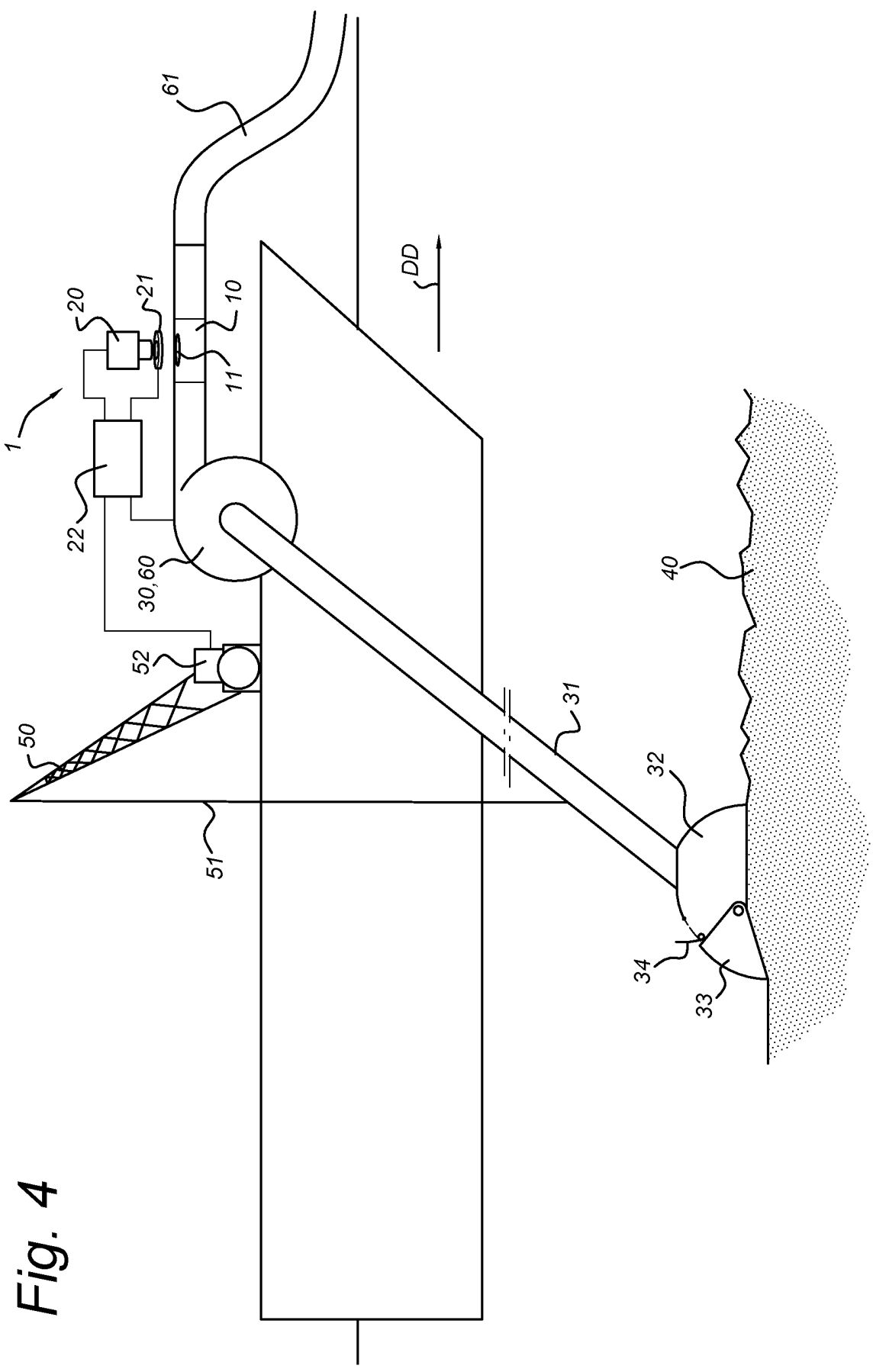


Fig. 4



SAMENWERKINGSVERDRAG (PCT)

RAPPORT BETREFFENDE NIEUWHEIDSONDERZOEK VAN INTERNATIONAAL TYPE

IDENTIFICATIE VAN DE NATIONALE AANVRAGE	KENMERK VAN DE AANVRAGER OF VAN DE GEMACHTIGDE	
	P6044066NL	
Nederlands aanvraag nr.	Indieningsdatum	
2010538	28-03-2013	
	Ingeroepen voorrangsdatum	
Aanvrager (Naam)		
IHC Systems B.V.		
Datum van het verzoek voor een onderzoek van internationaal type	Door de Instantie voor Internationaal Onderzoek aan het verzoek voor een onderzoek van internationaal type toegekend nr.	
22-06-2013	SN 60281	
I. CLASSIFICATIE VAN HET ONDERWERP (bij toepassing van verschillende classificaties, alle classificatiesymbolen opgeven)		
Volgens de internationale classificatie (IPC)		
E02F3/90	G01N21/85	G01N15/14
II. ONDERZOCHE GEBIEDEN VAN DE TECHNIEK		
Onderzochte minimumdocumentatie		
Classificatiesysteem	Classificatiesymbolen	
IPC8	E02F	G01N
Onderzochte andere documentatie dan de minimum documentatie, voor zover dergelijke documenten in de onderzochte gebieden zijn opgenomen		
III. <input type="checkbox"/>	GEEN ONDERZOEK MOGELIJK VOOR BEPAALDE CONCLUSIES	(opmerkingen op aanvullingsblad)
IV. <input type="checkbox"/>	GEBREK AAN EENHEID VAN UITVINDING	(opmerkingen op aanvullingsblad)

**ONDERZOEKSRAPPORT BETREFFENDE HET
RESULTAAT VAN HET ONDERZOEK NAAR DE STAND
VAN DE TECHNIEK VAN HET INTERNATIONALE TYPE**

Nummer van het verzoek om een onderzoek naar
de stand van de techniek
NL 2010538

<p>A. CLASSIFICATIE VAN HET ONDERWERP INV. E02F3/90 G01N21/85 G01N15/14 ADD.</p>		
<p>Volgens de Internationale Classificatie van octrooien (IPC) of zowel volgens de nationale classificatie als volgens de IPC.</p>		
<p>B. ONDERZOCHETE GEBIEDEN VAN DE TECHNIEK</p>		
<p>Onderzochte minimum documentatie (classificatie gevolgd door classificatiesymbolen) E02F G01N</p>		
<p>Onderzochte andere documentatie dan de minimum documentatie, voor dergelijke documenten, voor zover dergelijke documenten in de onderzochte gebieden zijn opgenomen</p>		
<p>Tijdens het onderzoek geraadpleegde elektronische gegevensbestanden (naam van de gegevensbestanden en, waar uitvoerbaar, gebruikte trefwoorden) EPO-Internal</p>		
<p>C. VAN BELANG GEACHTE DOCUMENTEN</p>		
<p>Categorie °</p>	<p>Geciteerde documenten, eventueel met aanduiding van speciaal van belang zijnde passages</p>	<p>Van belang voor conclusie nr.</p>
<p>X</p>	<p>WO 2011/080216 A1 (AKER SUBSEA AS [NO]; ERIKSSON KLAS GOERAN [NO]) 7 juli 2011 (2011-07-07) * bladzijde 2 - bladzijde 5 * ----- -/--</p>	<p>1-21</p>
<p><input checked="" type="checkbox"/> Verdere documenten worden vermeld in het vervolg van vak C. <input checked="" type="checkbox"/> Leden van dezelfde octroofamilie zijn vermeld in een bijlage</p>		
<p>° Speciale categorieën van aangehaalde documenten</p>		
<p>*A* niet tot de categorie X of Y behorende literatuur die de stand van de techniek beschrijft</p>	<p>*T* na de indieningsdatum of de voorrangsdatum gepubliceerde literatuur die niet bezwarend is voor de octrooiaanvraag, maar wordt vermeld ter verheldering van de theorie of het principe dat ten grondslag ligt aan de uitvinding</p>	
<p>*D* in de octrooiaanvraag vermeld</p>	<p>*X* de conclusie wordt als niet nieuw of niet inventief beschouwd ten opzichte van deze literatuur</p>	
<p>*E* eerdere octrooi(aanvraag), gepubliceerd op of na de indieningsdatum, waarin dezelfde uitvinding wordt beschreven</p>	<p>*Y* de conclusie wordt als niet inventief beschouwd ten opzichte van de combinatie van deze literatuur met andere geciteerde literatuur van dezelfde categorie, waarbij de combinatie voor de vakman voor de hand liggend wordt geacht</p>	
<p>*L* om andere redenen vermelde literatuur</p>	<p>*Z* lid van dezelfde octroofamilie of overeenkomstige octrooipublicatie</p>	
<p>*O* niet-schriftelijke stand van de techniek</p>		
<p>*P* tussen de voorrangsdatum en de indieningsdatum gepubliceerde literatuur</p>		
<p>Datum waarop het onderzoek naar de stand van de techniek van internationaal type werd voltooid 9 december 2013</p>	<p>Verzenddatum van het rapport van het onderzoek naar de stand van de techniek van internationaal type</p>	
<p>Naam en adres van de instantie European Patent Office, P.B. 5818 Patentlaan 2 NL - 2280 HV Rijswijk Tel. (+31-70) 340-2040, Fax: (+31-70) 340-3016</p>	<p>De bevoegde ambtenaar Luck, Wulf</p>	

**ONDERZOEKSRAPPORT BETREFFENDE HET
RESULTAAT VAN HET ONDERZOEK NAAR DE STAND
VAN DE TECHNIEK VAN HET INTERNATIONALE TYPE**

Nummer van het verzoek om een onderzoek naar
de stand van de techniek
NL 2010538

C.(Vervolg). VAN BELANG GEACHTE DOCUMENTEN		
Categorie °	Geciteerde documenten, eventueel met aanduiding van speciaal van belang zijnde passages	Van belang voor conclusie nr.
X	MARQUARDT FRHR V HODENBERG: "OPTIMIERUNG DER KIES- UND SANDGEWINNUNG AUF EINEM BAGGERSCHIFF DURCH VOLLAUTOMATISCHE ONLINE-KORNGROESSENANALYSE OPTIMIZATION OF SAND AND GRAVEL EXTRACTION ON A DREDGER WITH FULLY AUTOMATIC ONLINE PARTICLE SIZE ANALYSIS OPTIMISATION DE L'EXTRACTION DE GRAVIER ET DE SABLE SUR UN BATEAU-DRAGUE, A L'AI", AUFBEREITUNGS-TECHNIK - MINERAL PROCESSING, BAUVERLAG BV GMBH, DE, deel 41, nr. 12, 1 december 2000 (2000-12-01), bladzijden 561-566, XP000975989, ISSN: 1434-9302 * bladzijde 563 - bladzijde 564 *	1-21
A	MCMANUS H P: "Automatic Dredging Controls Designed for Hopper Dredges", WORLD DREDGING & MARINE CONSTRUCTION SYMCON PUBLISHING,, 1 juli 1975 (1975-07-01), bladzijden 24-26, XP001337970, * het gehele document *	1
A	"Ermittlung der Fördermasse auch unter Extrembedingungen", AUFBEREITUNGS-TECHNIK - MINERAL PROCESSING, BAUVERLAG BV GMBH, DE, deel 51, nr. 6, 1 juni 2010 (2010-06-01), bladzijden 22-23, XP001555720, ISSN: 1434-9302 * het gehele document *	1
A	HADJIDAKIS A: "AUTOMATISERING VAN SLEEPHOPPERZUIGER", PORTS AND DREDGING,, nr. 61, 1 januari 1968 (1968-01-01), bladzijden 4-9, XP001337959, * het gehele document *	1
A	HOLLAND I H C: "INSTRUMENTATIE VAN MODERNE SLEEPZUIGERS", SCHIP EN WERF,, deel 35, nr. 22, 1 november 1968 (1968-11-01), bladzijden 490-496, XP001337958, * het gehele document *	1
A	CARLSON D: "Nucleonics- and how they are employed for non-contacting process measurement", MINE AND QUARRY,, deel 7, nr. 4, 1 april 1978 (1978-04-01), bladzijden 55-65, XP001337974, * het gehele document *	1

**ONDERZOEKSRAPPORT BETREFFENDE HET
RESULTAAT VAN HET ONDERZOEK NAAR DE STAND
VAN DE TECHNIEK VAN HET INTERNATIONALE TYPE**

Informatie over leden van dezelfde octrooifamilie

Nummer van het verzoek om een onderzoek naar
de stand van de techniek

NL 2010538

In het rapport genoemd octrooigeschrift	Datum van publicatie	Overeenkomend(e) geschrift(en)	Datum van publicatie
WO 2011080216	A1	07-07-2011	GEEN



File No. SN60281	Filing date (<i>day/month/year</i>) 28.03.2013	Priority date (<i>day/month/year</i>)	Application No. NL2010538
International Patent Classification (IPC) INV. E02F3/90 G01N21/85 G01N15/14			
Applicant IHC Systems B.V.			

This opinion contains indications relating to the following items:

- Box No. I Basis of the opinion
- Box No. II Priority
- Box No. III Non-establishment of opinion with regard to novelty, inventive step and industrial applicability
- Box No. IV Lack of unity of invention
- Box No. V Reasoned statement with regard to novelty, inventive step or industrial applicability; citations and explanations supporting such statement
- Box No. VI Certain documents cited
- Box No. VII Certain defects in the application
- Box No. VIII Certain observations on the application

	Examiner Luck, Wulf
--	------------------------

WRITTEN OPINION

Application number

NL2010538

Box No. I Basis of this opinion

1. This opinion has been established on the basis of the latest set of claims filed before the start of the search.
2. With regard to any **nucleotide and/or amino acid sequence** disclosed in the application and necessary to the claimed invention, this opinion has been established on the basis of:
 - a. type of material:
 - a sequence listing
 - table(s) related to the sequence listing
 - b. format of material:
 - on paper
 - in electronic form
 - c. time of filing/furnishing:
 - contained in the application as filed.
 - filed together with the application in electronic form.
 - furnished subsequently for the purposes of search.
3. In addition, in the case that more than one version or copy of a sequence listing and/or table relating thereto has been filed or furnished, the required statements that the information in the subsequent or additional copies is identical to that in the application as filed or does not go beyond the application as filed, as appropriate, were furnished.
4. Additional comments:

Box No. V Reasoned statement with regard to novelty, inventive step or industrial applicability; citations and explanations supporting such statement

1. Statement

Novelty	Yes: Claims	6-21
	No: Claims	1-5
Inventive step	Yes: Claims	
	No: Claims	1-21
Industrial applicability	Yes: Claims	1-21
	No: Claims	

2. Citations and explanations

see separate sheet

WRITTEN OPINION

Application number
NL2010538

Box No. VIII Certain observations on the application

see separate sheet

Re Item VIII

Certain observations on the application

The subject matter of claims 1 and 14 appears to be identical or closely related. Therefore the claims are not concise.

Re Item V

Reasoned statement with regard to novelty, inventive step or industrial applicability; citations and explanations supporting such statement

The documents cited in the search report are designated D1 to D7.

- D1 WO 2011/080216 A1 (AKER SUBSEA AS [NO]; ERIKSSON KLAS GOERAN [NO]) 7 juli 2011 (2011-07-07)
- D2 MARQUARDT FRHR V HODENBERG: "OPTIMIERUNG DER KIES- UND SANDGEWINNUNG AUF EINEM BAGGERSCHIFF DURCH VOLLAUTOMATISCHE ONLINE-KORNGROESSENANALYSE OPTIMIZATION OF SAND AND GRAVEL EXTRACTION ON A DREDGER WITH FULLY AUTOMATIC ONLINE PARTICLE SIZE ANALYSIS OPTIMISATION DE L'EXTRACTION DE GRAVIER ET DE SABLE SUR UN BATEAU-DRAGUE, A L'AI", AUFBEREITUNGS-TECHNIK - MINERAL PROCESSING, BAUVERLAG BV GMBH, DE, deel 41, nr. 12, 1 december 2000 (2000-12-01), bladzijden 561-566, XP000975989, ISSN: 1434-9302
- D3 MCMANUS H P: "Automatic Dredging Controls Designed for Hopper Dredges", WORLD DREDGING & MARINE CONSTRUCTION SYMCON PUBLISHING,, 1 juli 1975 (1975-07-01), bladzijden 24-26, XP001337970,

- D4 "Ermittlung der Fördermasse auch unter Extrembedingungen",
AUFBEREITUNGS-TECHNIK - MINERAL PROCESSING, BAUVERLAG
BV GMBH, DE,
deel 51, nr. 6, 1 juni 2010 (2010-06-01), bladzijden 22-23, XP001555720,
ISSN: 1434-9302
- D5 HADJIDAKIS A: "AUTOMATISERING VAN SLEEPHOPPERZUIGER",
PORTS AND DREDGING,,
nr. 61, 1 januari 1968 (1968-01-01), bladzijden 4-9, XP001337959,
- D6 HOLLAND I H C: "INSTRUMENTATIE VAN MODERNE
SLEEPZUIGERS",
SCHIP EN WERF,,
deel 35, nr. 22, 1 november 1968 (1968-11-01), bladzijden 490-496,
XP001337958,
- D7 CARLSON D: "Nucleonics- and how they are employed for non-contacting
process measurement",
MINE AND QUARRY,,
deel 7, nr. 4, 1 april 1978 (1978-04-01), bladzijden 55-65, XP001337974,

Document D1 discloses (the references in parentheses applying to this document):

Meetinrichting voor het uitvoeren van metingen aan een mengsel van water en verzameld materiaal (p. 1, l. 3, 4 "measuring unit for monitoring particles in a fluid flow"),

waarbij de meetinrichting een pijpsectie omvat waardoorheen het mengsel geleid kan worden, waarbij de pijpsectie een raam omvat (p. 2, l. 29 "opening in the pipe wall 3 is provided with a window 2", fig. 1),

en de meetinrichting een beeldvastleginrichting (p. 3, l. 12 "camera 6", fig. 2) omvat die is ingericht om een beeld van het verzamelde materiaal door het raam heen vast te leggen.

Consequently the subject-matter of claim 1 is not new.

It is not seen that any of the remaining claims provide novel and inventive subject matter.