



US00D344779S

# United States Patent [19]

[11] Patent Number: **Des. 344,779**

**Axne**

[45] Date of Patent: **\*\* Mar. 1, 1994**

[54] **GOLF TEE SETTING GAUGE**

*Primary Examiner*—Melvin B. Feifer

[76] Inventor: **Glenn O. Axne**, 121 W. 4th St., Coal Valley, Ill. 61240

*Attorney, Agent, or Firm*—Robert O. Richardson

[\*\*] Term: **14 Years**

[57] **CLAIM**

[21] Appl. No.: **804,164**

The ornamental design for a golf tee setting gauge, as shown and described.

[22] Filed: **Dec. 9, 1991**

**DESCRIPTION**

[52] U.S. Cl. .... **D21/234; D21/208**

FIG. 1 is a plan view of a golf tee setting gauge showing my design;

[58] Field of Search ..... **273/32.5; D21/208, 234**

FIG. 2 is a right end view;

FIG. 3 is a left end view;

FIG. 4 is a view of the front and rear sides;

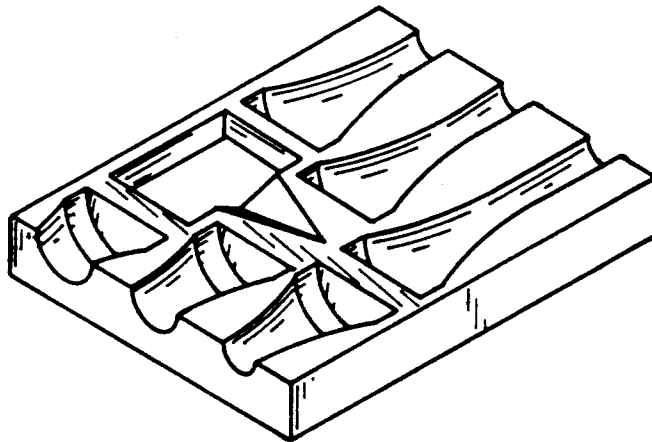
FIG. 5 is a bottom view; and,

FIG. 6 is a perspective view.

[56] **References Cited**

**U.S. PATENT DOCUMENTS**

4,982,510 1/1991 Musillo ..... 273/32.5



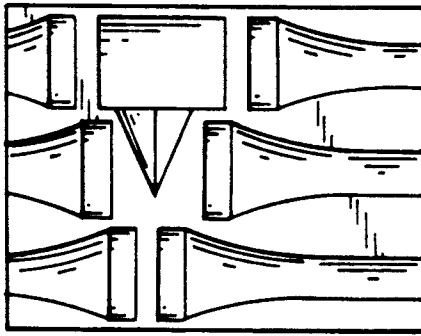


FIG. 1



FIG. 2



FIG. 3

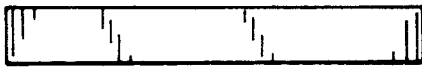


FIG. 4



FIG. 5

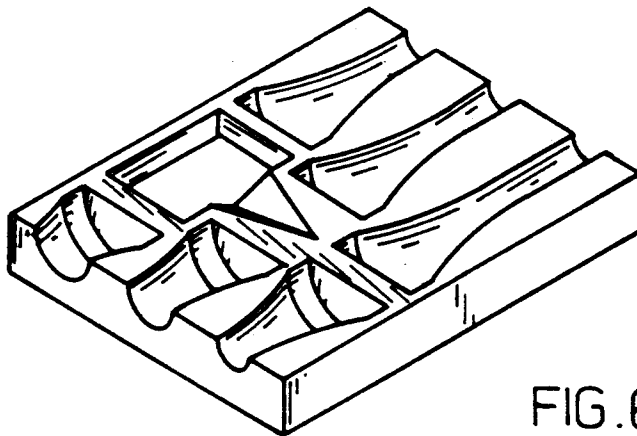


FIG. 6