



US00D705607S

(12) **United States Design Patent**  
**Zorovich et al.**

(10) **Patent No.:** **US D705,607 S**  
(45) **Date of Patent:** **\*\* May 27, 2014**

(54) **SLUSH BEVERAGE CONTAINER**

(71) Applicant: **Propeller, Inc.**, Hoboken, NJ (US)

(72) Inventors: **Kenneth D. Zorovich**, Hoboken, NJ (US); **John C. Earle**, Annapolis, MD (US); **Yos Kumthampinij**, Edgewater, NJ (US)

(73) Assignee: **Propeller, Inc.**, Hoboken, NJ (US)

(\*\*) Term: **14 Years**

(21) Appl. No.: **29/436,536**

(22) Filed: **Nov. 7, 2012**

(51) **LOC (10) Cl.** ..... **07-01**

(52) **U.S. Cl.**  
USPC ..... **D7/523**

(58) **Field of Classification Search**

USPC ..... D7/213, 305, 392.1, 396.2, 505, 507,  
D7/509, 510, 511, 522, 523, 528, 532, 533,  
D7/536, 537; 220/703, 705, 710, 713  
See application file for complete search history.

(56) **References Cited**

U.S. PATENT DOCUMENTS

D248,075	S	*	6/1978	Daenen	.....	D7/523
D305,193	S	*	12/1989	Sajadieh	.....	D7/509
D454,757	S	*	3/2002	Lack	.....	D7/523
D457,389	S	*	5/2002	Snell	.....	D7/396.6
D457,782	S	*	5/2002	Snell	.....	D7/396.6
D506,640	S	*	6/2005	Marck et al.	.....	D7/523
D550,509	S	*	9/2007	Dretzka	.....	D7/523
D557,073	S	*	12/2007	Snell	.....	D7/523
D623,898	S	*	9/2010	Snell	.....	D7/523

\* cited by examiner

*Primary Examiner* — Robert M Spear  
*Assistant Examiner* — Marissa Cash

(74) *Attorney, Agent, or Firm* — Greenberg Traurig, LLP

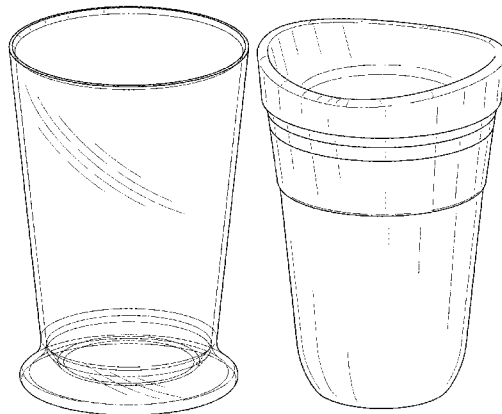
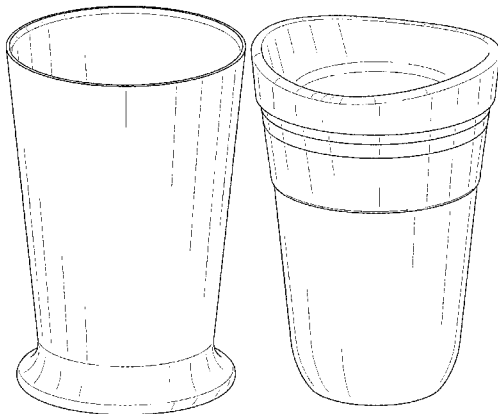
(57) **CLAIM**

The ornamental design for a slush beverage container, as shown and described.

**DESCRIPTION**

FIG. 1 is a perspective view of an embodiment of a slush beverage container showing our new design;  
 FIG. 2 is a front elevational view thereof, the rear elevational view being identical to FIG. 2;  
 FIG. 3 is a left side elevational view thereof, the right side elevational view being identical to FIG. 3;  
 FIG. 4 is a top plan view thereof;  
 FIG. 5 is a bottom plan view thereof;  
 FIG. 6 is an exploded perspective view of the slush beverage container shown in FIG. 1, showing the associated inner mug disassembled from the associated outer sleeve for clarity of disclosure;  
 FIG. 7 is a front elevational view thereof;  
 FIG. 8 is a top plan view thereof;  
 FIG. 9 is a bottom plan view thereof;  
 FIG. 10 is a perspective view of another embodiment of a slush beverage container showing our new design;  
 FIG. 11 is a front elevational view thereof, the rear elevational view being identical to FIG. 11;  
 FIG. 12 is a left side elevational view thereof, the right side elevational view being identical to FIG. 12;  
 FIG. 13 is a top plan view thereof;  
 FIG. 14 is a bottom plan view thereof;  
 FIG. 15 is an exploded perspective view of the slush beverage container shown in FIG. 10, showing the associated inner mug disassembled from the associated outer sleeve for clarity of disclosure;  
 FIG. 16 is a front elevational view thereof;  
 FIG. 17 is a top plan view thereof; and,  
 FIG. 18 is a bottom plan view thereof.

**1 Claim, 16 Drawing Sheets**



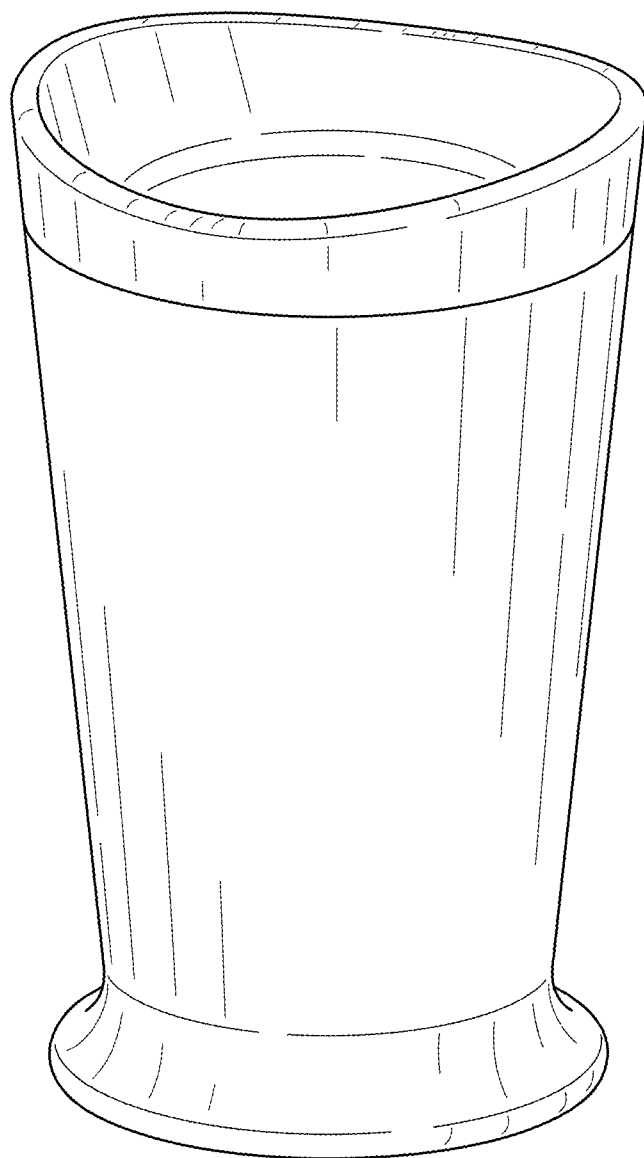


FIG. 1

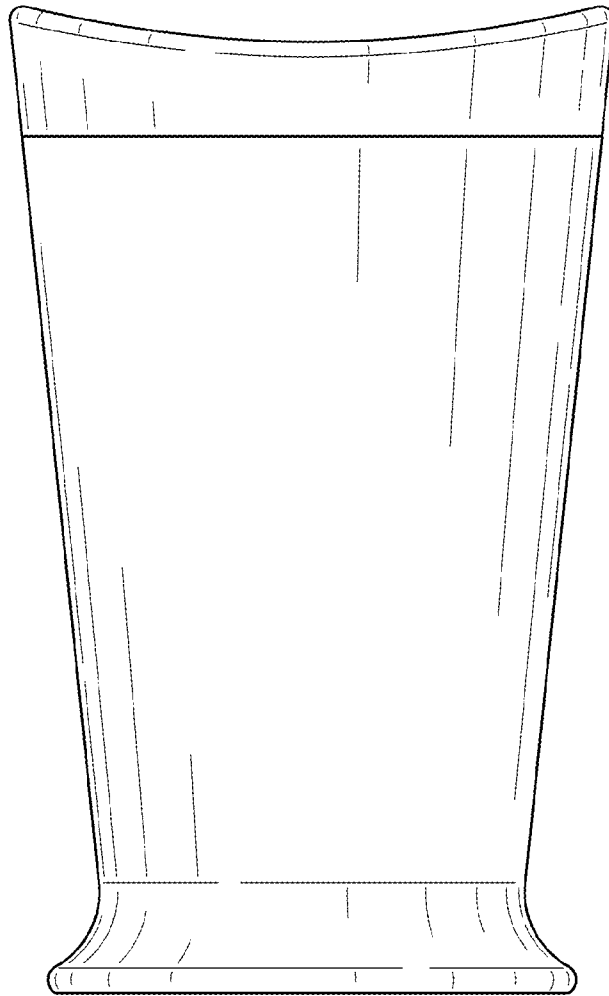


FIG. 2

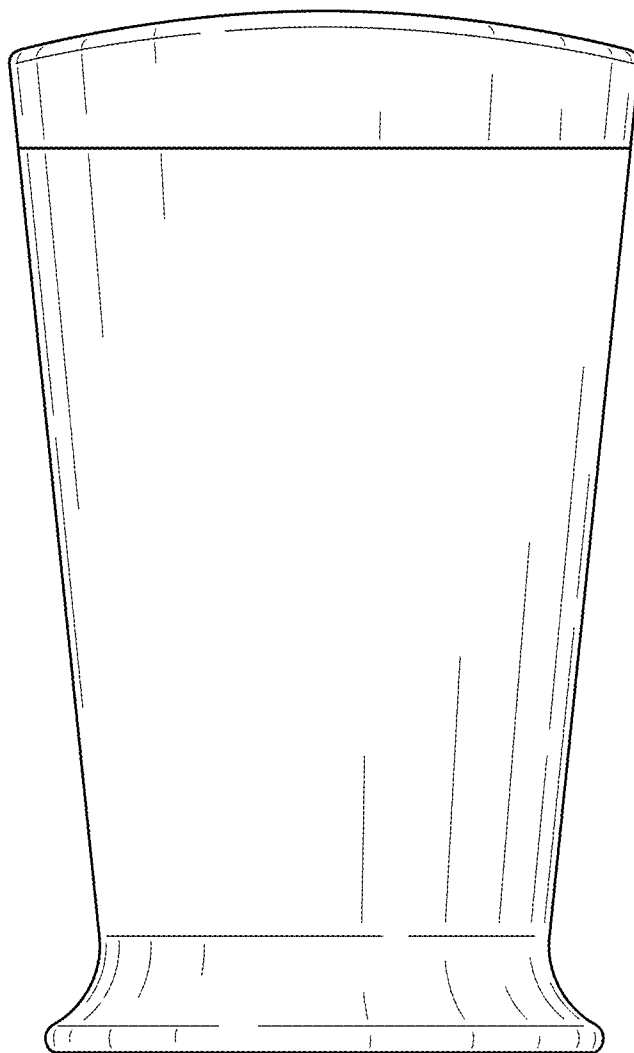


FIG. 3

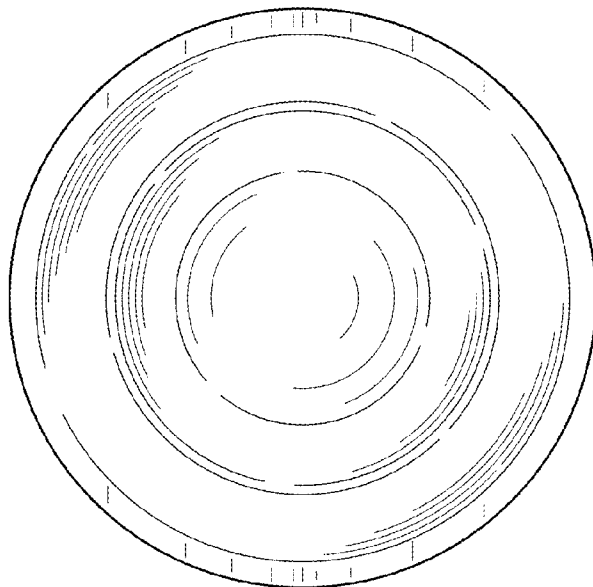


FIG. 4

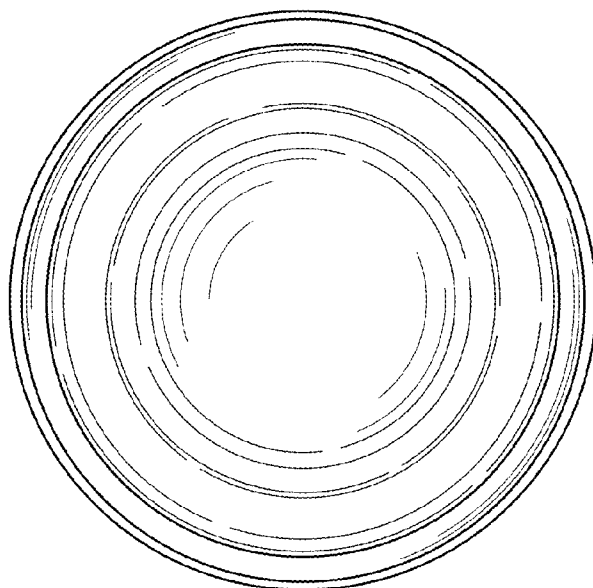


FIG. 5

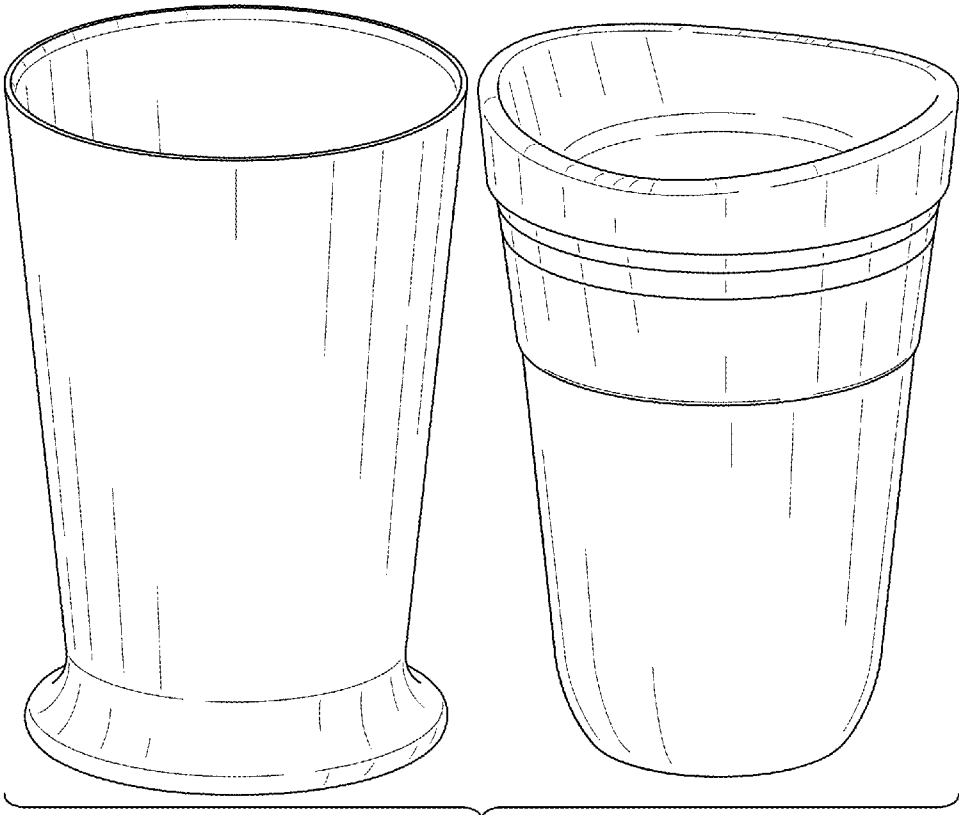


FIG. 6

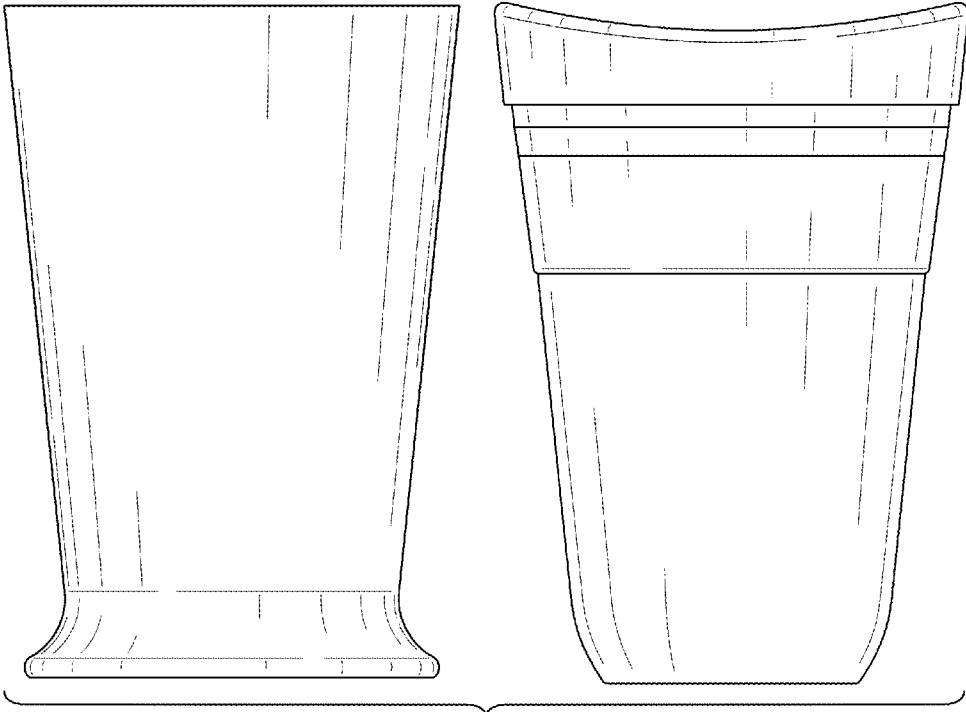


FIG. 7

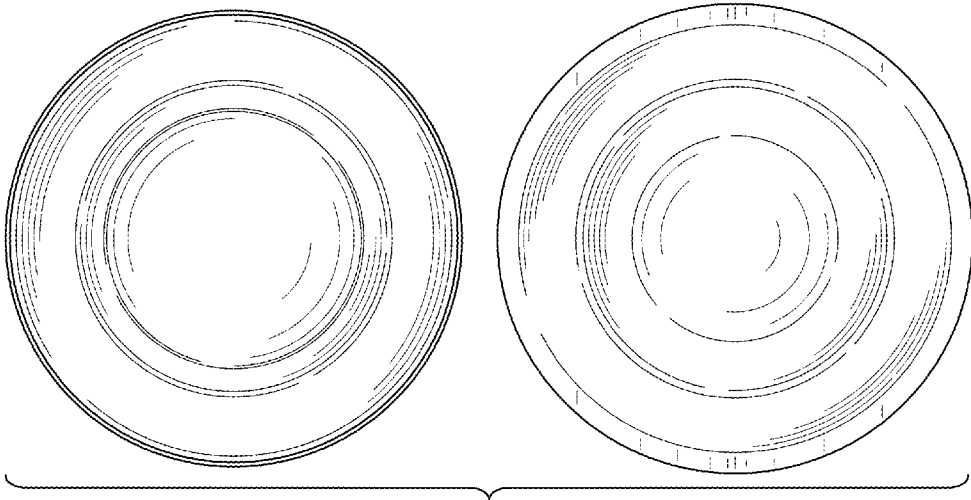


FIG. 8

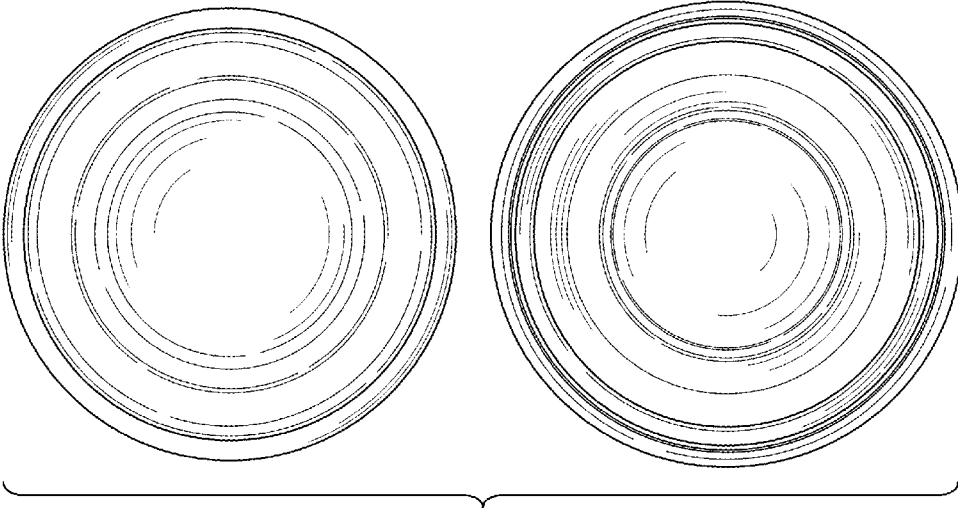


FIG. 9

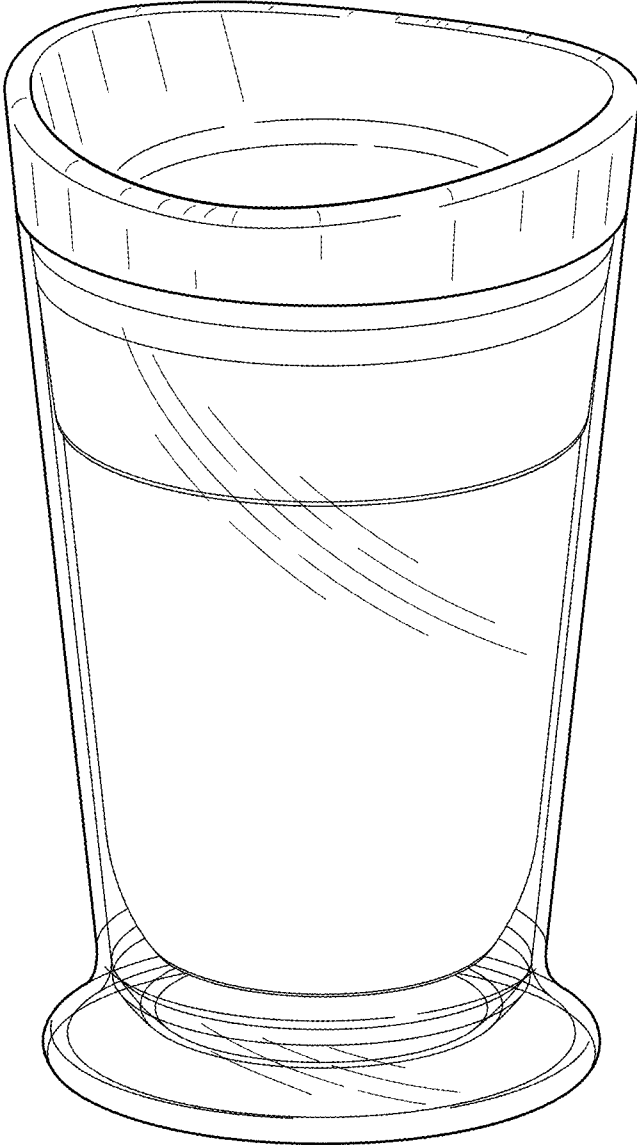


FIG. 10

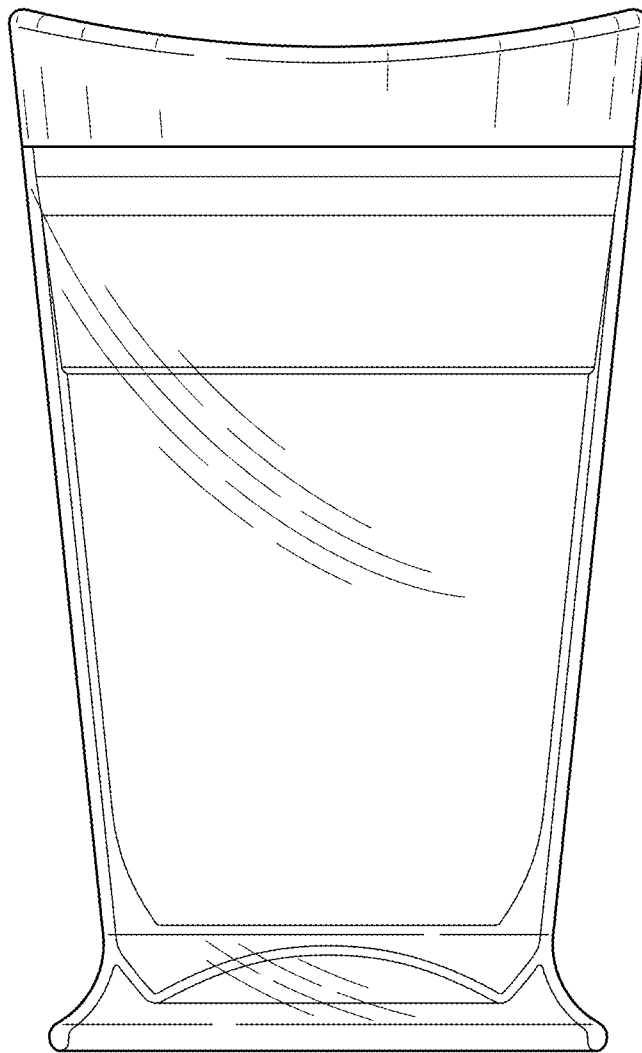


FIG. 11

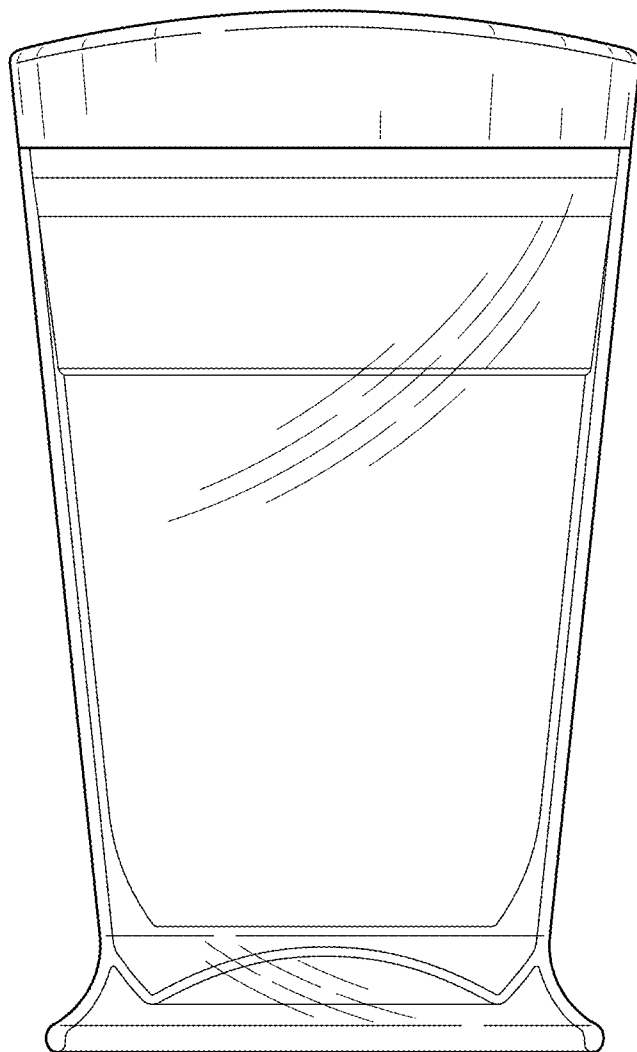


FIG. 12

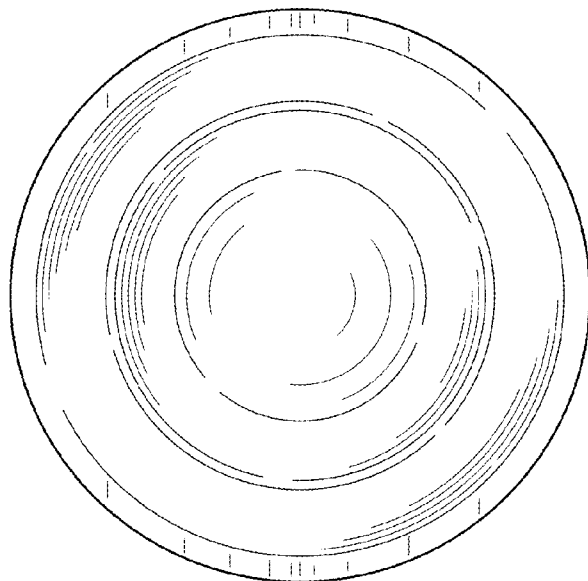


FIG. 13

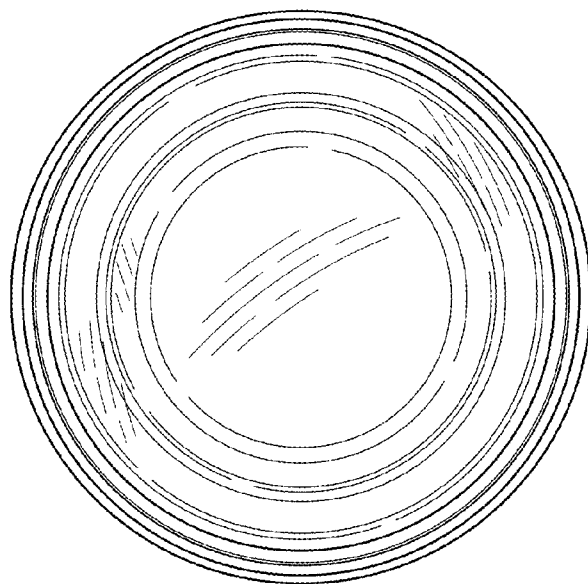


FIG. 14

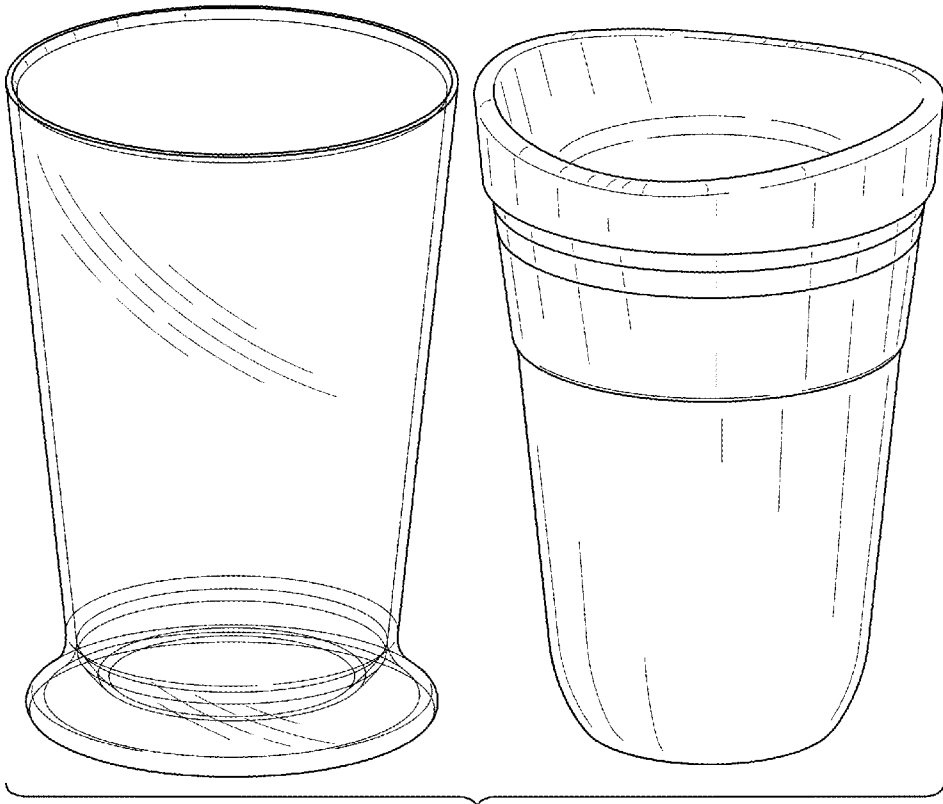


FIG. 15

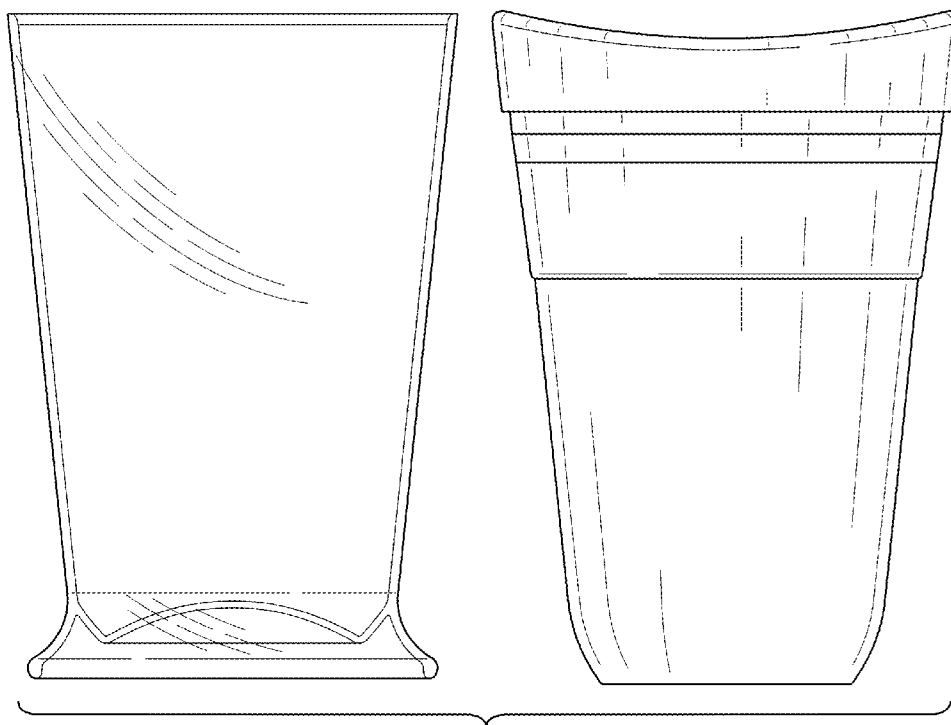


FIG. 16

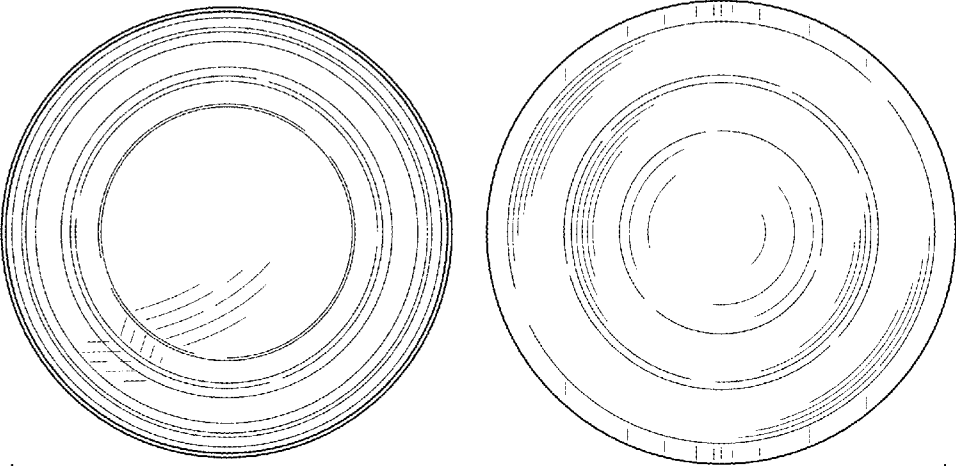


FIG. 17

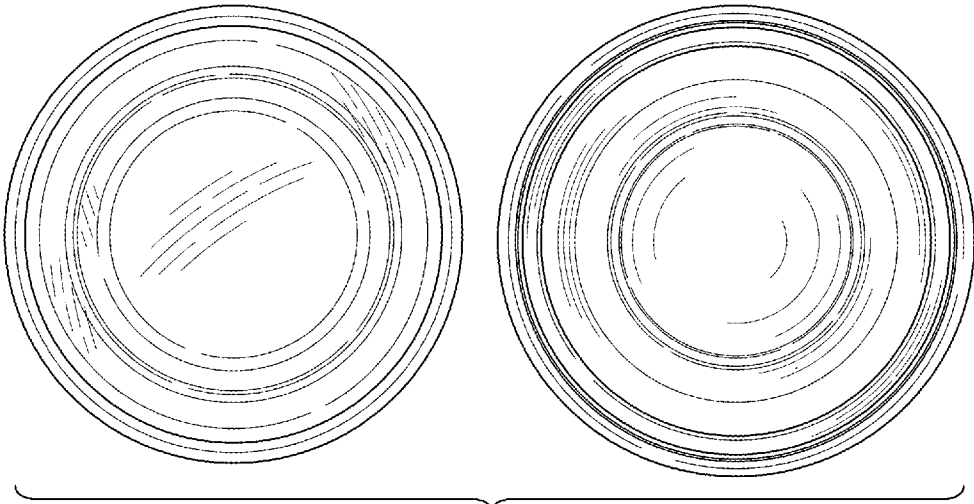


FIG. 18