



US00D608602S

(12) **United States Design Patent**
Davies et al.

(10) **Patent No.:** **US D608,602 S**
(45) **Date of Patent:** **** Jan. 26, 2010**

(54) **SNAP TOGETHER MULTI PURPOSE
UTENSIL**

(76) Inventors: **James Davies**, 37031 Schafer, Polson,
MT (US) 59860; **Michael Boehm**, 11279
Oakcrest Ave., Ojai, CA (US) 93023

(**) Term: **14 Years**

(21) Appl. No.: **29/337,909**

(22) Filed: **Jun. 1, 2009**

(51) **LOC (9) Cl.** **07-03**

(52) **U.S. Cl.** **D7/644; D7/642; D7/653**

(58) **Field of Classification Search** D7/393,
D7/401.2, 642-646, 649-653, 660-669, 675-676,
D7/686-696; D8/13; D10/46.2; 7/109,
7/112-113; 30/137, 141-143, 147-150,
30/322-327, 329, 340, 342-346; 294/1.1,
294/2, 5.5, 8.5, 33, 59, 99.2, 100; 416/70 R
See application file for complete search history.

(56) **References Cited**

U.S. PATENT DOCUMENTS

32,916 A *	7/1861	Richards	30/147
398,264 A *	2/1889	Kisner	30/150
D30,129 S *	2/1899	Whitcomb	D7/644
854,745 A *	5/1907	King	30/150
972,777 A *	10/1910	Richardson	30/147
1,337,174 A *	4/1920	Whyte	30/150
2,318,129 A *	5/1943	Torode	30/147
D187,937 S *	5/1960	Polk	D7/686
D249,926 S *	10/1978	Wong	D7/644
D269,060 S *	5/1983	Creamer	D8/13
D284,342 S *	6/1986	Campbell	D10/46.2
D299,303 S *	1/1989	Strobel et al.	D7/667
4,823,419 A *	4/1989	Stimpson	7/113
D325,855 S *	5/1992	Rea, Sr.	D7/692
5,845,403 A *	12/1998	Nivin	30/147

D414,988 S *	10/1999	Santini	D7/644
D530,985 S *	10/2006	Evans	D7/644
D535,857 S *	1/2007	Bristow	D7/644
D575,593 S *	8/2008	Svartstrom	D7/644

* cited by examiner

Primary Examiner—Caron Veynar

Assistant Examiner—Ricky Pham

(74) *Attorney, Agent, or Firm*—QuickPatents, Inc.; Kevin Prince

(57) **CLAIM**

We claim the ornamental design for a snap together multi purpose utensil, as shown and described.

DESCRIPTION

FIG. 1 is a perspective view of a snap together multi purpose utensil, showing our new design;

FIG. 2 is an exploded perspective view thereof, illustrating a spatula section and a spoon section thereof;

FIG. 3 is a right-side elevational view thereof;

FIG. 4 is an exploded right-side elevational view thereof, the exploded left-side elevational view being a mirror image thereof;

FIG. 5 is a left-side elevational view thereof;

FIG. 6 is a front elevational view thereof;

FIG. 7 is a front elevational view of the spatula section thereof;

FIG. 8 is a rear elevational view thereof;

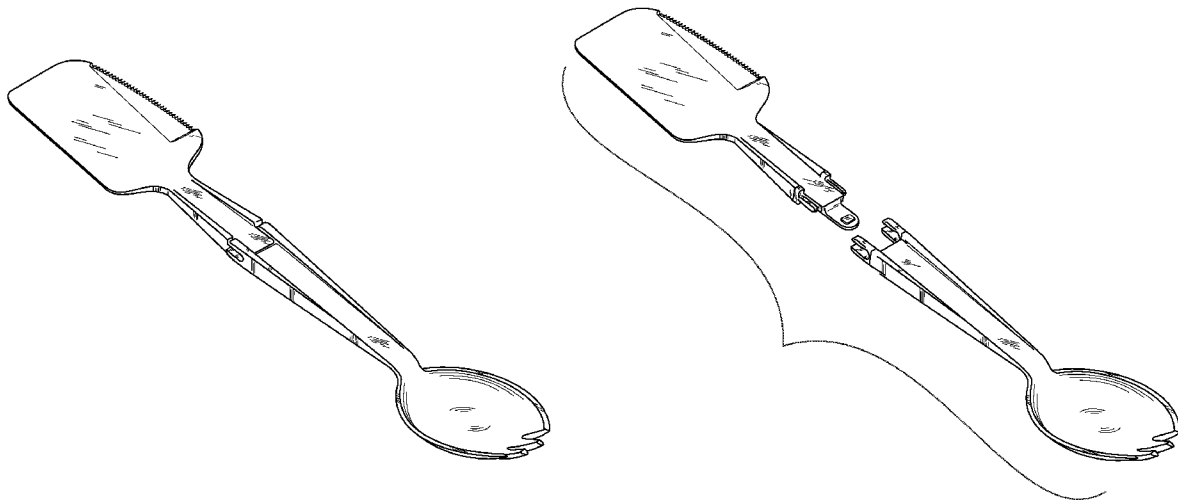
FIG. 9 is a rear elevational view of the spoon section thereof;

FIG. 10 is a top plan view thereof;

FIG. 11 is a bottom plan view thereof; and,

FIG. 12 is an exploded top plan view thereof.

1 Claim, 5 Drawing Sheets



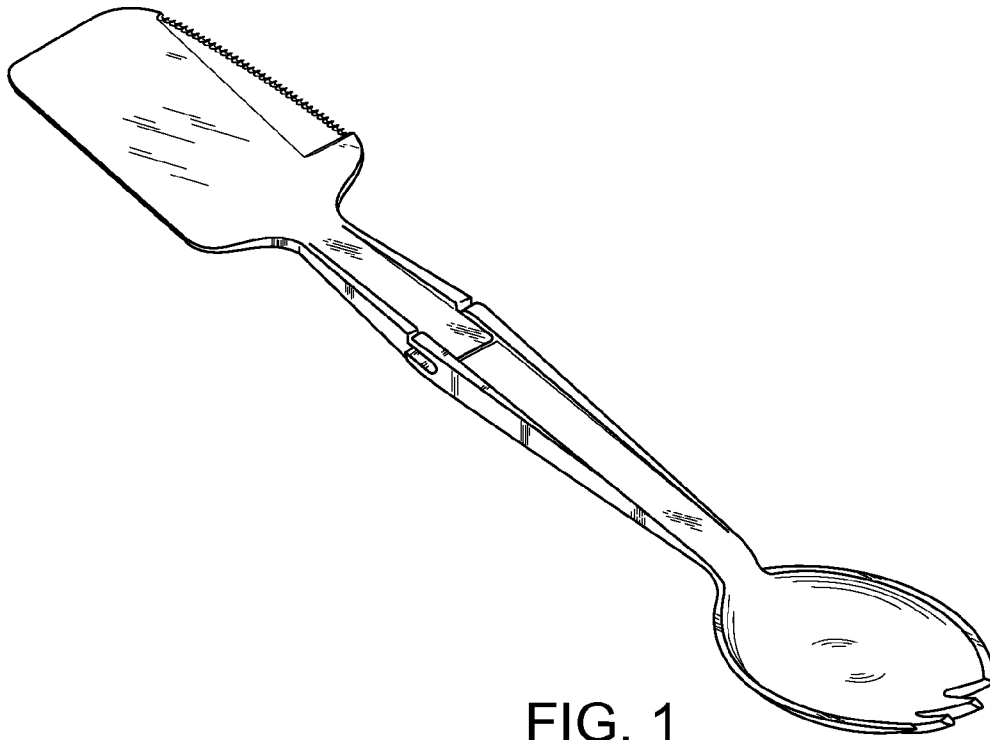


FIG. 1

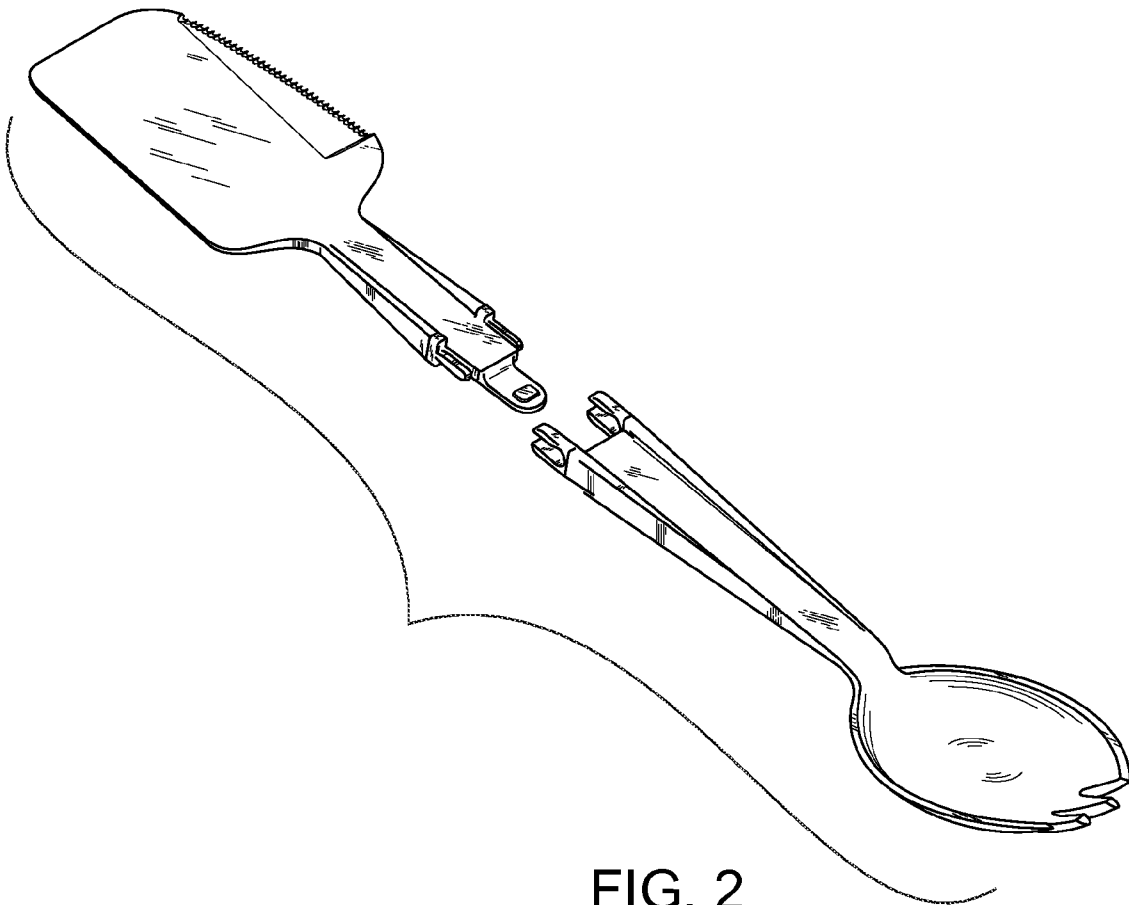


FIG. 2

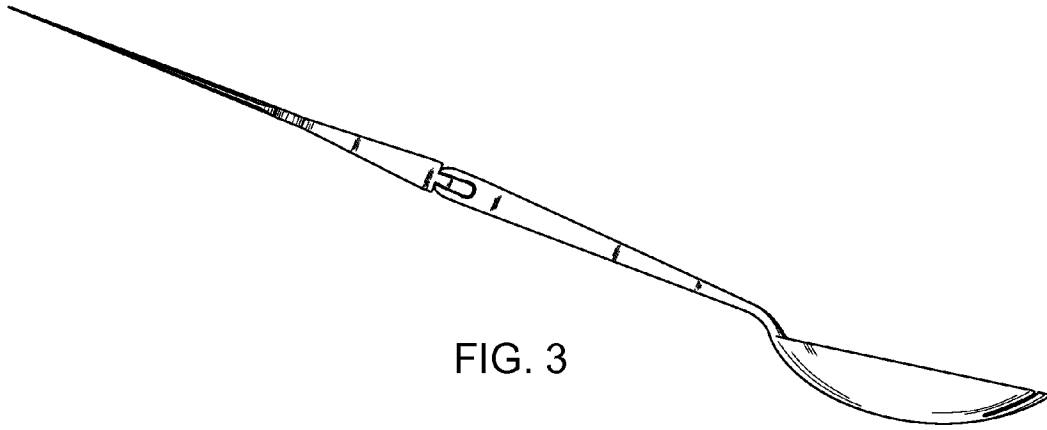


FIG. 3

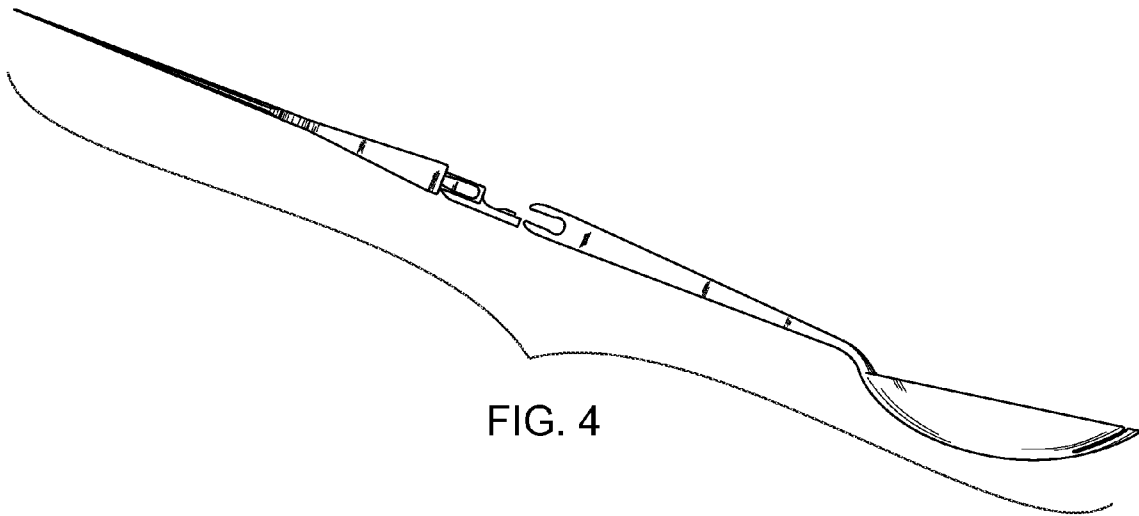


FIG. 4

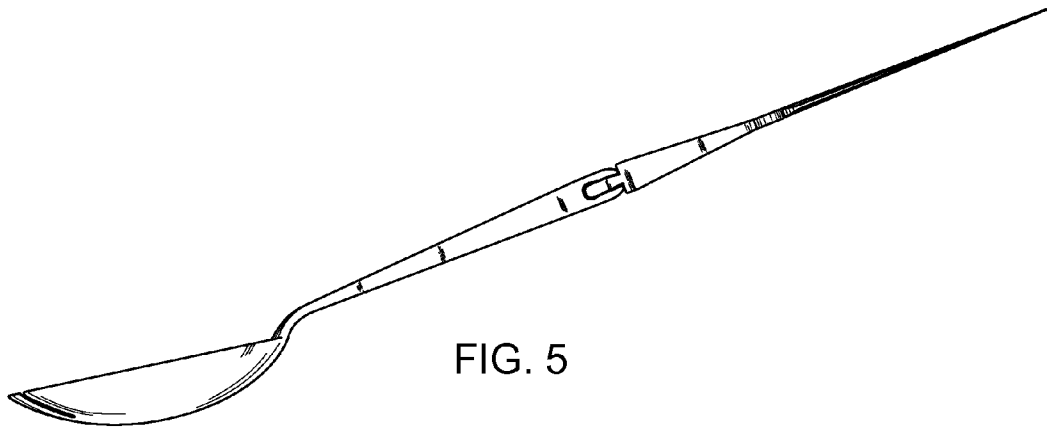


FIG. 5

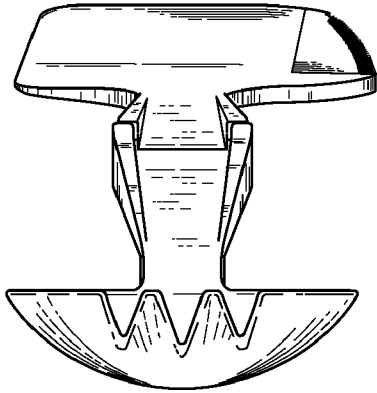


FIG. 6

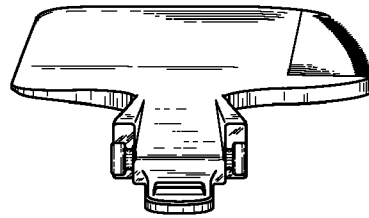


FIG. 7

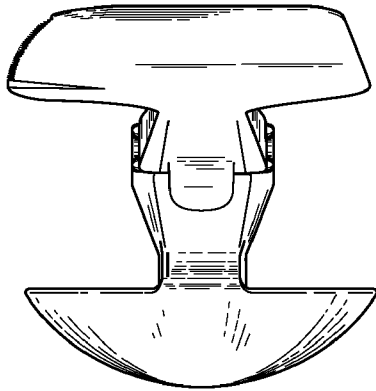


FIG. 8

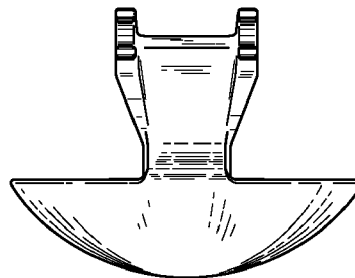


FIG. 9

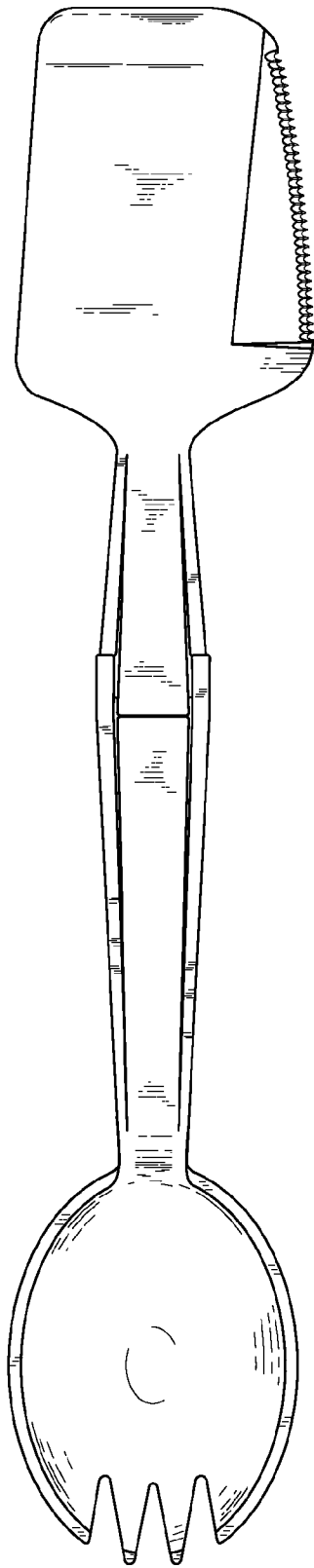


FIG. 10

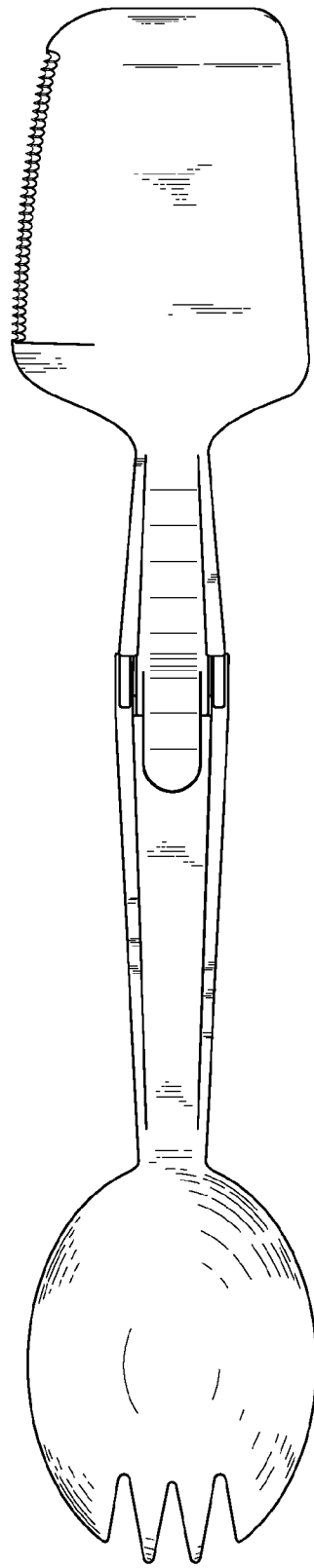


FIG. 11

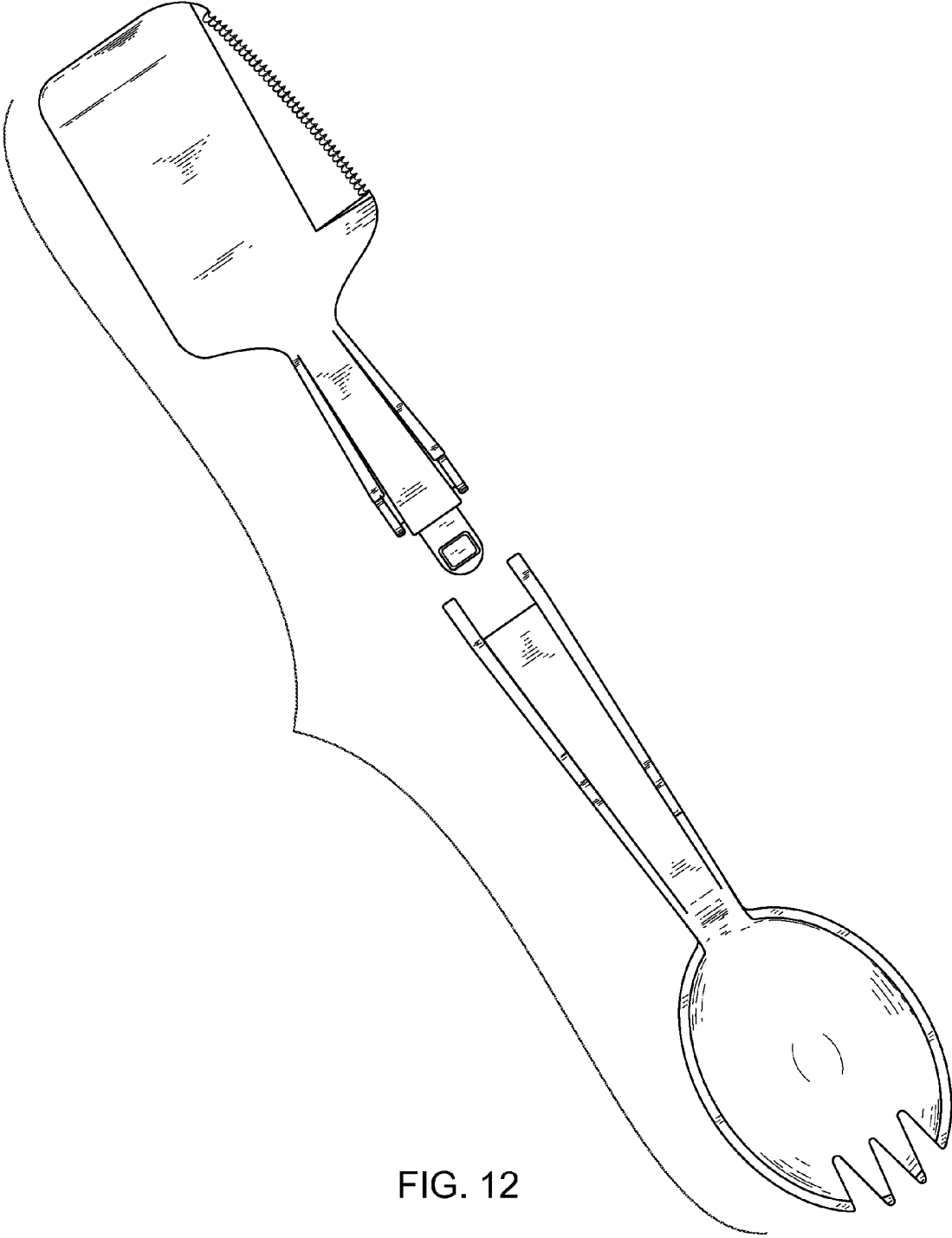


FIG. 12