



US00D746807S

(12) **United States Design Patent**  
**McGarry et al.**

(10) **Patent No.:** **US D746,807 S**

(45) **Date of Patent:** **\*\* Jan. 5, 2016**

(54) **SMARTPHONE HOLDER**

(71) Applicant: **Braun GmbH**, Kronberg (DE)

(72) Inventors: **Rory Frederick Wellington McGarry**,  
Glenealy (IE); **Fritz Schubert**, Bad  
Camberg (DE)

(73) Assignee: **BRAUN GMBH**, Kronberg (DE)

(\*\*) Term: **14 Years**

(21) Appl. No.: **29/491,187**

(22) Filed: **May 19, 2014**

(30) **Foreign Application Priority Data**

Dec. 19, 2013 (WO) ..... 782183601

(51) **LOC (10) Cl.** ..... **14-03**

(52) **U.S. Cl.**  
USPC ..... **D14/253**

(58) **Field of Classification Search**

USPC ..... D14/251–253, 432, 434, 447, 451, 452,  
D14/140, 142, 149, 217, 240; D21/313;  
D13/107, 108; D10/23; D8/71, 72, 74,  
D8/349, 373; D6/302, 303, 306, 310, 312;  
455/575.1; D19/75, 86, 88, 90, 91, 95;  
D16/242, 245; D3/218; D12/415  
CPC ..... H04M 1/00; H04M 1/04; H04M 1/06;  
H04M 1/11; F16M 1/04; F16M 11/041;  
B60R 11/02; B60R 11/0241; B60R 11/0258;  
B60R 11/0252

See application file for complete search history.

(56) **References Cited**

**U.S. PATENT DOCUMENTS**

D453,920 S \* 2/2002 Greene ..... D13/108  
D454,703 S \* 3/2002 Doeing ..... D6/310  
D474,736 S \* 5/2003 Sagawa ..... D13/108  
D477,920 S \* 8/2003 McCarty et al. .... D6/310  
D508,458 S \* 8/2005 Solland et al. .... D13/108  
7,099,467 B1 \* 8/2006 Rohrbach ..... 379/446

(Continued)

*Primary Examiner* — Susan Bennett Hattan

*Assistant Examiner* — Marie Fast Horse

(74) *Attorney, Agent, or Firm* — Vladimir Vitenberg

(57) **CLAIM**

The ornamental design for smartphone holder, as shown and described.

**DESCRIPTION**

FIG. 1 is a perspective view of one embodiment of a smartphone holder showing our new design;

FIG. 2 is a front view of the smartphone holder as shown in FIG. 1;

FIG. 3 is a right side view of the smartphone holder as shown in FIG. 1;

FIG. 4 is a rear view of the smartphone holder as shown in FIG. 1;

FIG. 5 is a left side view of the smartphone holder as shown in FIG. 1;

FIG. 6 is a top plan view of the smartphone holder as shown in FIG. 1;

FIG. 7 is a bottom view of the smartphone holder as shown in FIG. 1;

FIG. 8 is a perspective view of the smartphone holder seen in FIG. 1, shown in an alternate position for use.

FIG. 9 is a front view of the smartphone holder as shown in FIG. 8;

FIG. 10 is a right side view of the smartphone holder as shown in FIG. 8;

FIG. 11 is a rear view of the smartphone holder as shown in FIG. 8;

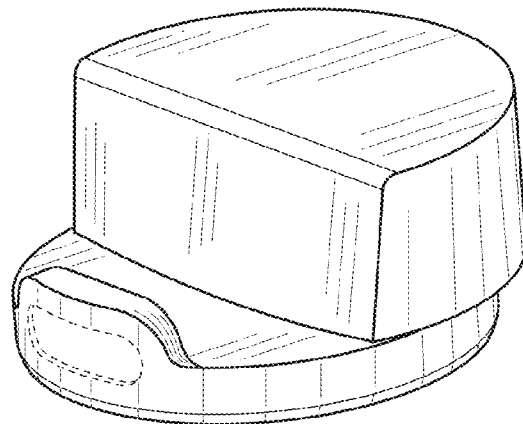
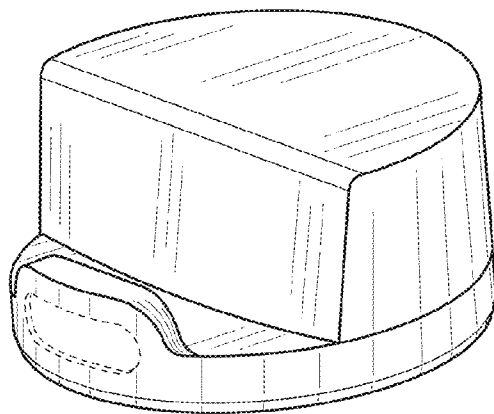
FIG. 12 is a left side view of the smartphone holder as shown in FIG. 8;

FIG. 13 is a top plan view of the smartphone holder as shown in FIG. 8; and,

FIG. 14 is a bottom view of the smartphone holder as shown in FIG. 8.

The broken lines shown in the drawings depict parts of the smartphone holder and form no part of the claimed design.

**1 Claim, 2 Drawing Sheets**



(56)

References Cited

U.S. PATENT DOCUMENTS

D553,122 S \* 10/2007 Solland ..... D14/217  
 D558,193 S \* 12/2007 Ju ..... D14/253  
 D585,898 S \* 2/2009 Skurdal ..... D14/434  
 D596,561 S \* 7/2009 Chon et al. .... D13/108  
 D600,680 S \* 9/2009 Mead et al. .... D14/217  
 D628,203 S \* 11/2010 Noble ..... D14/447  
 D629,806 S \* 12/2010 Ho et al. .... D14/434  
 D654,921 S \* 2/2012 Malsan ..... D14/447  
 D659,696 S \* 5/2012 Lanza ..... D14/447  
 D662,505 S \* 6/2012 Mori ..... D14/447  
 D666,204 S \* 8/2012 Han ..... D14/447

D667,403 S \* 9/2012 Maus ..... D14/385  
 D672,350 S \* 12/2012 Gioscia et al. .... D14/434  
 D694,228 S \* 11/2013 Richter ..... D14/253  
 D706,784 S \* 6/2014 Mills ..... D14/447  
 D709,065 S \* 7/2014 Guyot ..... D14/253  
 D711,366 S \* 8/2014 Lui et al. .... D14/253  
 D719,146 S \* 12/2014 Herbst et al. .... D14/253  
 D721,033 S \* 1/2015 Fujioka ..... D13/108  
 D723,021 S \* 2/2015 Guyot ..... D14/253  
 D730,888 S \* 6/2015 Malsan ..... D14/253  
 2009/0075693 A1 \* 3/2009 So et al. .... 455/556.1  
 2012/0001048 A1 \* 1/2012 Takahashi et al. .... 248/346.03  
 2014/0135062 A1 \* 5/2014 Bevirt et al. .... 455/556.1

\* cited by examiner

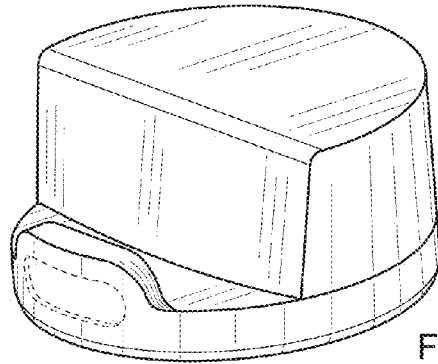


Fig. 1

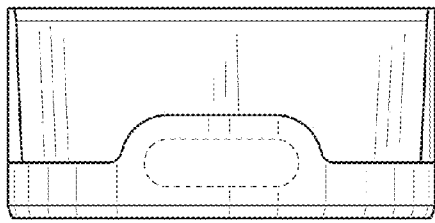


Fig. 2

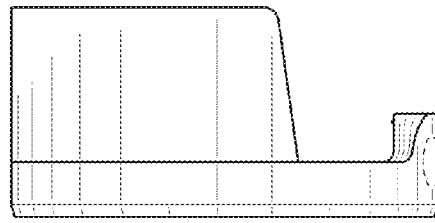


Fig. 3

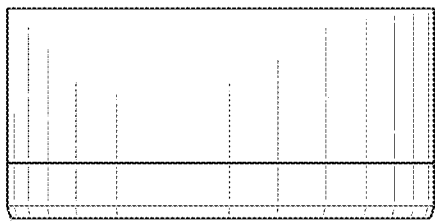


Fig. 4

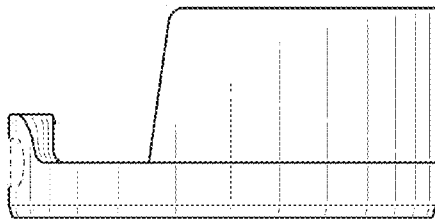


Fig. 5

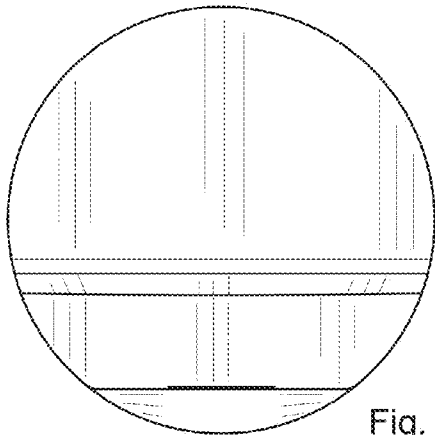


Fig. 6

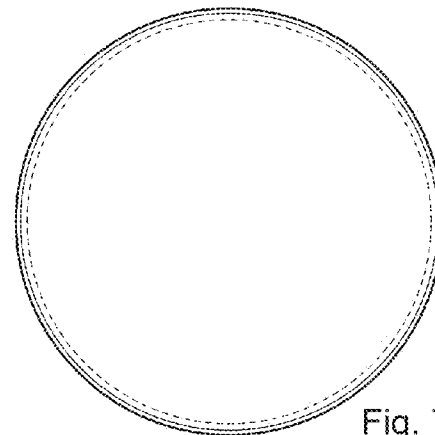


Fig. 7

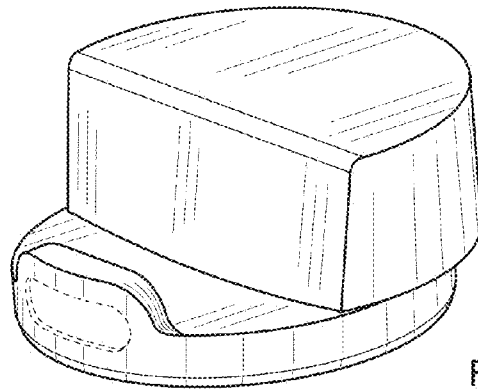


Fig. 8

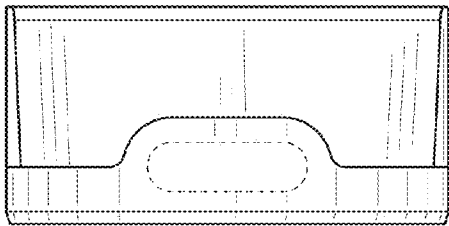


Fig. 9

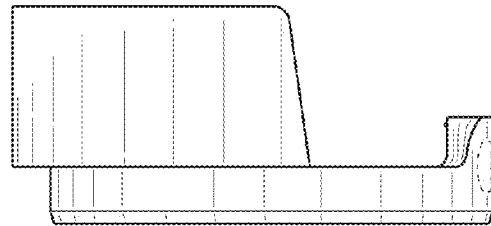


Fig. 10

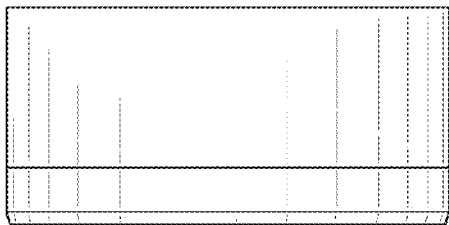


Fig. 11

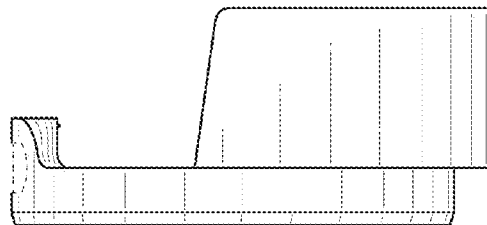


Fig. 12

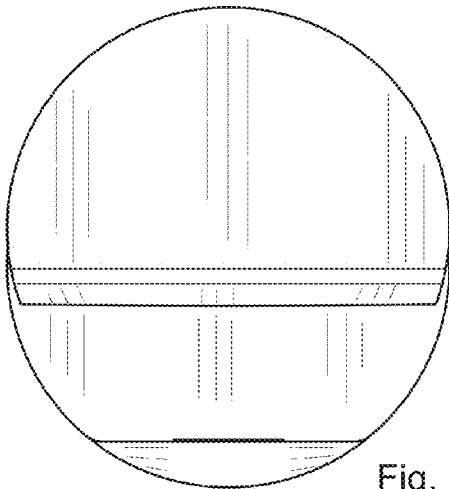


Fig. 13

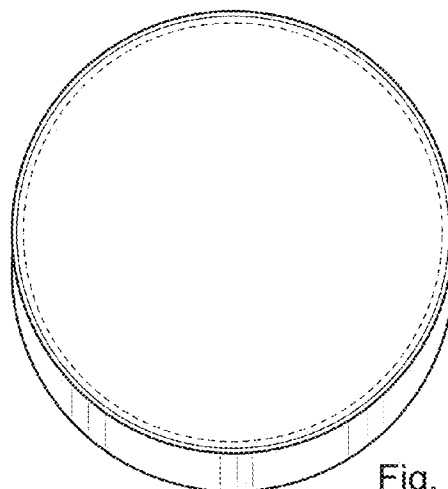


Fig. 14