



US00D736596S

(12) **United States Design Patent**
Warmenhoven et al.

(10) **Patent No.:** **US D736,596 S**

(45) **Date of Patent:** **** Aug. 18, 2015**

(54) **LOCK PLATE AND HANDLE TRIMSET ASSEMBLY**

(71) Applicant: **Belwith Products, LLC**, Grandville, MI (US)

(72) Inventors: **David Warmenhoven**, Grandville, MI (US); **John Jay Dauksas**, Burr Ridge, IL (US); **Michael Aaron Cohen**, Buffalo Grove, IL (US); **Gary L. Myers**, Monee, IL (US); **Kevin Dewald**, Grand Haven, MI (US)

(73) Assignee: **Belwith Products, LLC**, Grandville, MI (US)

(**) Term: **14 Years**

(21) Appl. No.: **29/466,643**

(22) Filed: **Sep. 10, 2013**

(51) **LOC (10) Cl.** **08-05**

(52) **U.S. Cl.**
USPC **D8/350**

(58) **Field of Classification Search**
USPC D8/350, 330-331
CPC G07C 9/0069; E05B 47/0002
See application file for complete search history.

(56) **References Cited**

U.S. PATENT DOCUMENTS

D271,374 S	11/1983	Butts	
D365,976 S	1/1996	Chiu	
D474,103 S	5/2003	Kaiser et al.	
D479,682 S	9/2003	Frolov et al.	
D494,841 S	8/2004	Moon et al.	
D495,943 S	9/2004	Hentschel et al.	
D501,131 S	1/2005	Wright et al.	
D553,953 S	* 10/2007	Roberts et al.	D8/350

D588,439 S	*	3/2009	Lin et al.	D8/350
D635,441 S	*	4/2011	Roberts, III	D8/350
D637,064 S	*	5/2011	Singtoroj	D8/350
D639,135 S		6/2011	Doucet et al.		
D660,129 S		5/2012	Genord et al.		
D693,667 S	*	11/2013	Mostert	D8/350
D699,096 S	*	2/2014	Chan et al.	D8/350

OTHER PUBLICATIONS

Yale Security Inc., "Push Button Lever Lock—Real Living," 1 p, downloaded from <http://www.yaleresidential.com/en/yale/yaleresidential-com/Residential/?groupId=1294297&productId=1294302> on Jan. 6, 2014.

(Continued)

Primary Examiner — Holly Baynham

(74) *Attorney, Agent, or Firm* — Leydig, Voit & Mayer, Ltd.

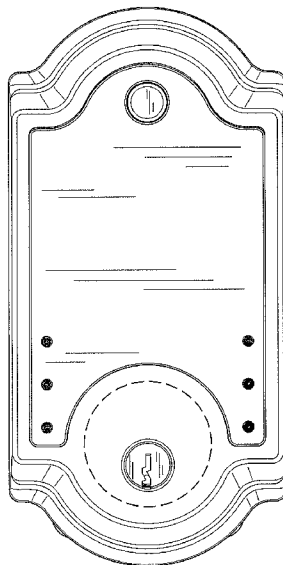
(57) **CLAIM**

The ornamental design for a lock plate and handle trimset assembly, as shown and described.

DESCRIPTION

FIG. 1 is a front elevational view of a lock plate and handle trimset assembly showing our new design; FIG. 2 is a rear elevational view of the lock plate and handle trimset assembly of FIG. 1 with a knob; FIG. 3 is a right side view of the lock plate and handle trimset assembly of FIGS. 1 and 2; FIG. 4 is the left side being a mirror image thereof; FIG. 5 is a top view of the lock plate and handle trimset assembly; and, FIG. 6 is a bottom view of the lock plate and handle trimset assembly of FIG. 1. The broken line representations are for purposes of illustration only and form no part of the claimed design.

1 Claim, 4 Drawing Sheets



(56)

References Cited

yaleresidential-com/Residential/?groupId=1294297

OTHER PUBLICATIONS

&productId=1294302, accessed Jan. 6, 2014.

Yale Security Inc., "Push Button Lever Lock—Real Living," 1 p,
published Jun. 9, 2010, at <http://www.yaleresidential.com/en/yale/>

* cited by examiner

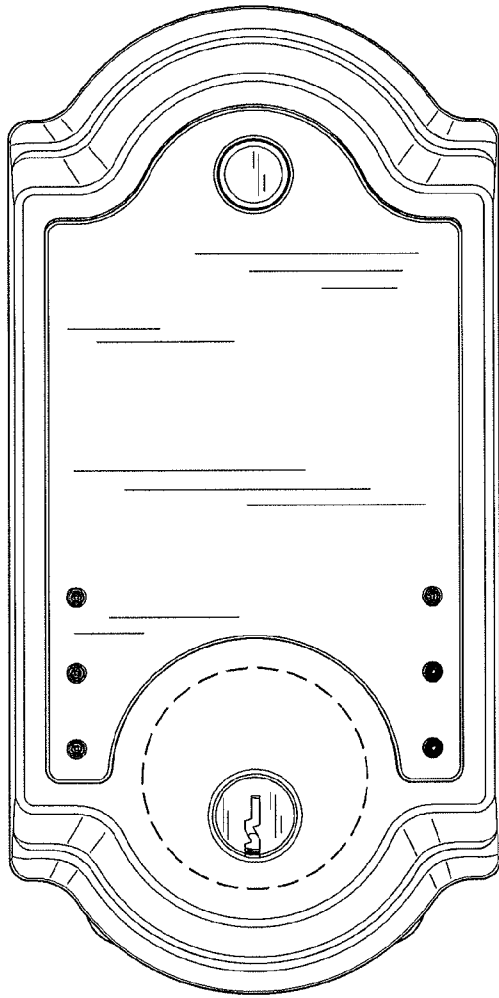


FIG. 1

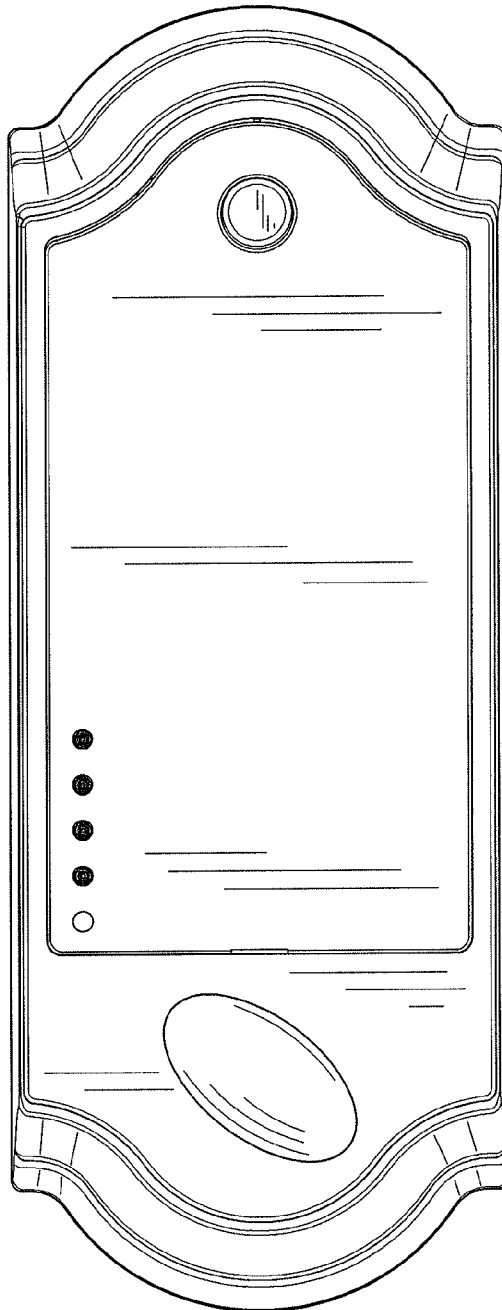


FIG. 2

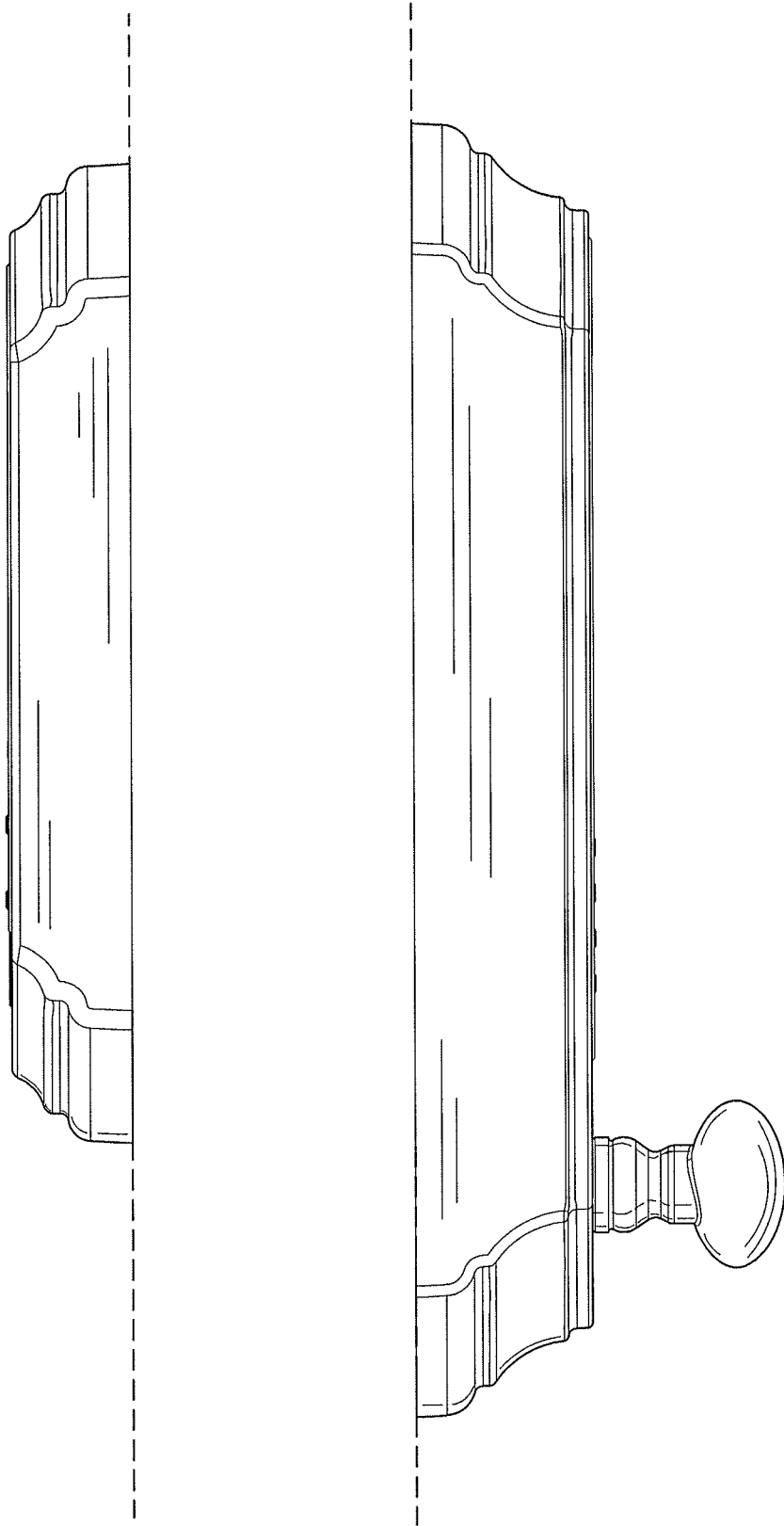


FIG. 3

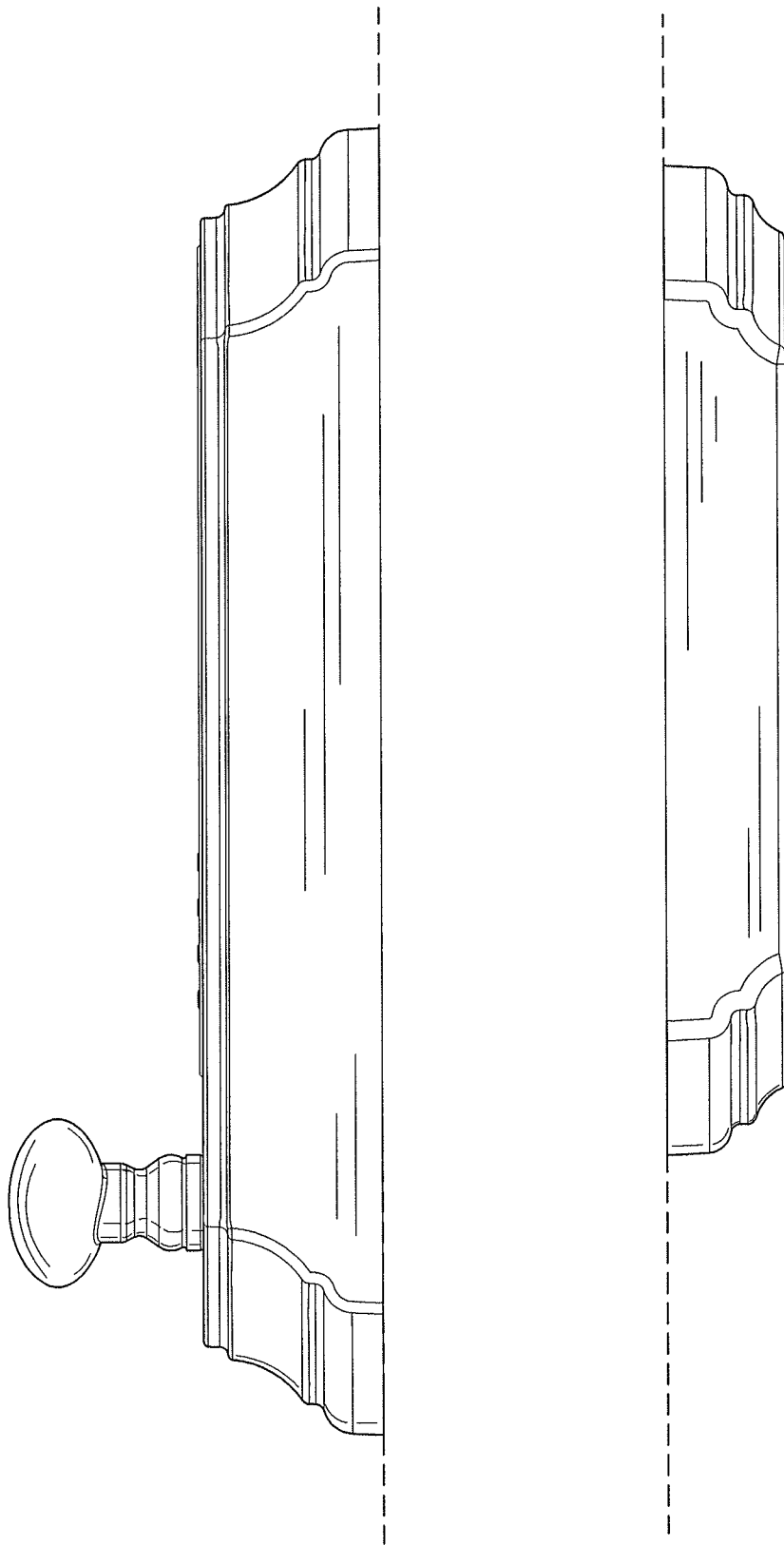


FIG. 4

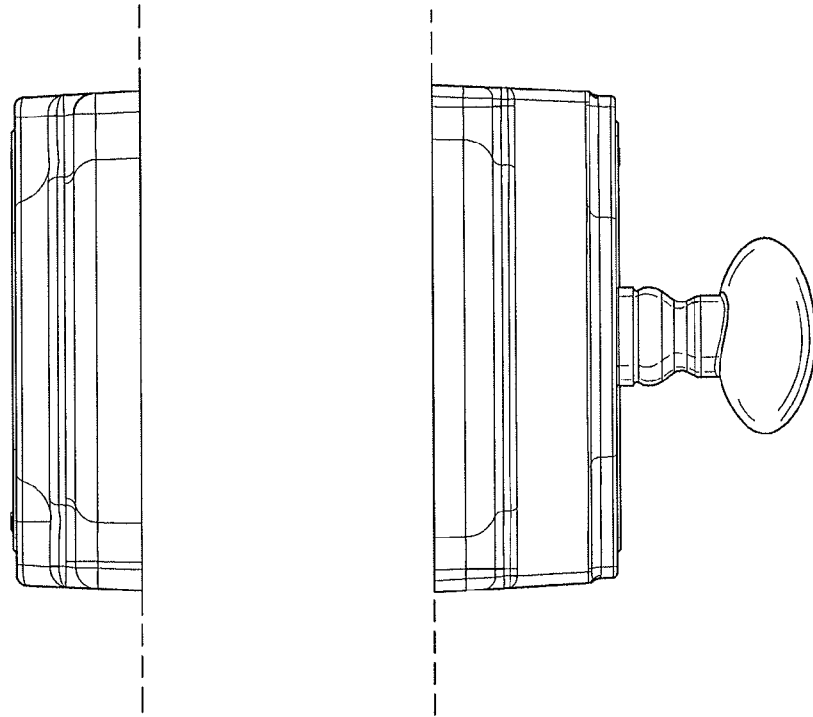


FIG. 5

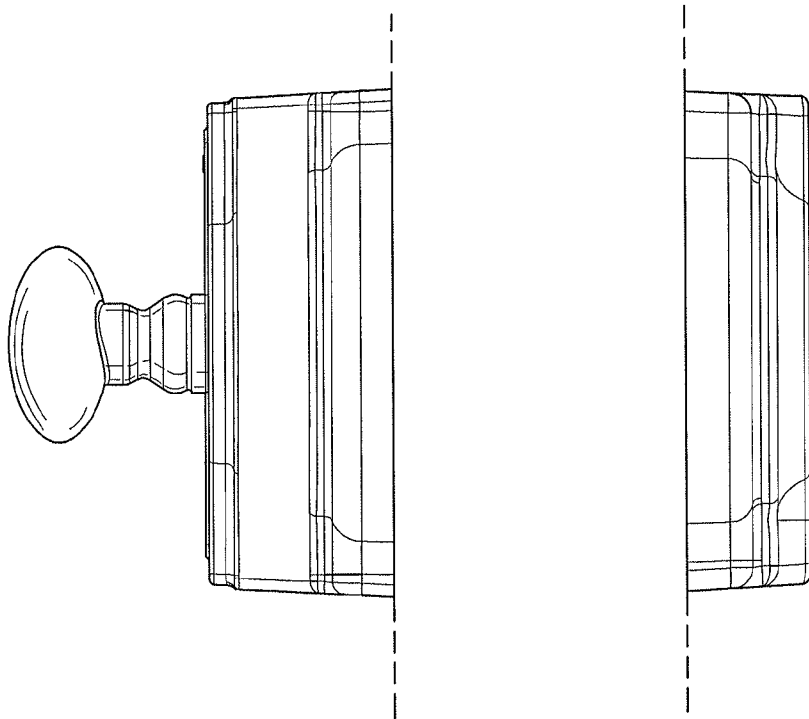


FIG. 6