



US00D809134S

(12) **United States Design Patent**
Crothall

(10) **Patent No.:** **US D809,134 S**

(45) **Date of Patent:** **** Jan. 30, 2018**

(54) **INFUSION PUMP ASSEMBLY**

FOREIGN PATENT DOCUMENTS

(71) Applicant: **Bigfoot Biomedical, Inc.**, Milpitas, CA (US)

CA 2543545 5/2005
DE 196 27 619 1/1998

(Continued)

(72) Inventor: **George Crothall**, Oceanside, CA (US)

OTHER PUBLICATIONS

(73) Assignee: **Bigfoot Biomedical, Inc.**, Milpitas, CA (US)

Hurley, Dan. Artificial Pancreas Makers Race to Market. Discover. Date published: Apr. 12, 2016. <<http://discovermagazine.com/2016/may/13-priming-the-pump>>.*

(**) Term: **15 Years**

(Continued)

(21) Appl. No.: **29/557,657**

(22) Filed: **Mar. 10, 2016**

(51) **LOC (11) Cl.** **24-02**

(52) **U.S. Cl.**
USPC **D24/111**

(58) **Field of Classification Search**
USPC D24/107, 108, 111, 169, 185, 188
CPC A61M 5/142; A61M 2005/14208; A61M 5/14212; A61M 5/14228; A61M 5/14232; A61M 5/145; A61M 5/1456; A61M 5/14566; A61M 5/1458; A61M 5/1452; A61M 2205/505; A61M 5/14244; A61M 5/1723; A61M 2205/52; G06F 19/3468
See application file for complete search history.

Primary Examiner — Barbara Fox

Assistant Examiner — Lilyana Bekic

(74) *Attorney, Agent, or Firm* — Fish & Richardson P.C.

(57) **CLAIM**

The ornamental design for an infusion pump assembly, substantially as shown and described.

DESCRIPTION

FIG. 1 is a perspective view of an infusion pump assembly in accordance with the design.

FIG. 2 is a bottom view of the infusion pump assembly of FIG. 1.

FIG. 3 is a top view of the infusion pump assembly of FIG. 1.

FIG. 4 is a right side view of the infusion pump assembly of FIG. 1.

FIG. 5 is a left side view of the infusion pump assembly of FIG. 1.

FIG. 6 is a front view of the infusion pump assembly of FIG. 1; and,

FIG. 7 is a rear view of the infusion pump assembly of FIG. 1.

The broken lines in the drawings illustrate portions of the infusion pump assembly that form no part of the claimed design.

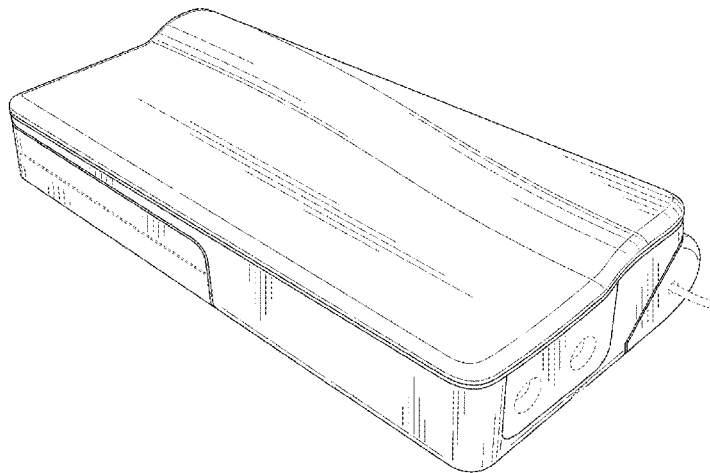
(56) **References Cited**

U.S. PATENT DOCUMENTS

- 2,605,765 A 8/1952 Paul
- 3,886,938 A 6/1975 Del Guercio et al.
- 4,077,405 A 3/1978 Haerten et al.
- 4,231,368 A 11/1980 Becker
- 4,265,241 A 5/1981 Portner et al.
- 4,300,554 A 11/1981 Hessberg et al.
- 4,313,439 A 2/1982 Babb et al.
- 4,398,908 A 8/1983 Siposs
- 4,435,173 A 3/1984 Siposs et al.
- 4,443,218 A 4/1984 DeCant, Jr. et al.
- 4,493,704 A 1/1985 Beard et al.

(Continued)

1 Claim, 5 Drawing Sheets



(56)

References Cited

U.S. PATENT DOCUMENTS

4,529,401	A	7/1985	Leslie	6,533,183	B2	3/2003	Aasmul et al.
4,681,569	A	7/1987	Coble	6,537,251	B2	3/2003	Klitmose
4,749,109	A	6/1988	Kamen	6,540,672	B1	4/2003	Simonsen et al.
4,838,857	A	6/1989	Strowe et al.	6,544,229	B1	4/2003	Danby et al.
4,850,817	A	7/1989	Nason et al.	6,547,764	B2	4/2003	Larsen et al.
5,045,064	A	9/1991	Idriss	6,551,276	B1	4/2003	Mann et al.
5,088,981	A	2/1992	Howson et al.	6,554,798	B1	4/2003	Mann et al.
5,088,990	A	2/1992	Hivale et al.	6,554,800	B1	4/2003	Nezhadian et al.
D325,781	S *	4/1992	Moller-Jensen	6,558,320	B1	5/2003	Causey, III et al.
5,190,522	A	3/1993	Wojcicki et al.	6,558,351	B1	5/2003	Steil et al.
5,225,763	A	7/1993	Krohn et al.	6,562,001	B2	5/2003	Lebel et al.
5,250,027	A	10/1993	Lewis et al.	6,562,011	B1	5/2003	Buch-Rasmussen et al.
5,261,882	A	11/1993	Sealfron	6,564,105	B2	5/2003	Starkweather et al.
5,314,412	A	5/1994	Rex	6,569,126	B1	5/2003	Poulsen et al.
5,335,994	A	8/1994	Weynant Nee Girones	6,571,128	B2	5/2003	Lebel et al.
5,338,157	A	8/1994	Blomquist	6,577,899	B2	6/2003	Lebel et al.
5,342,180	A	8/1994	Daoud	6,582,404	B1	6/2003	Klitgaard et al.
D351,469	S *	10/1994	Okamoto	6,585,644	B2	7/2003	Lebel et al.
5,389,078	A	2/1995	Zalesky et al.	6,585,699	B2	7/2003	Ljunggreen et al.
5,395,340	A	5/1995	Lee	6,589,229	B1	7/2003	Connelly et al.
5,411,487	A	5/1995	Castanga	6,605,067	B1	8/2003	Larsen
5,545,143	A	8/1996	Fischell	6,613,019	B2	9/2003	Munk
5,551,850	A	9/1996	Williamson et al.	6,641,533	B2	11/2003	Causey, III et al.
5,554,123	A	9/1996	Herskowitz	6,648,821	B2	11/2003	Lebel et al.
5,569,186	A	10/1996	Lord et al.	6,650,951	B1	11/2003	Jones et al.
5,626,566	A	5/1997	Petersen et al.	6,656,158	B2	12/2003	Mahoney et al.
5,637,095	A	6/1997	Nason et al.	6,656,159	B2	12/2003	Flaherty
5,665,065	A	9/1997	Colman et al.	6,659,948	B2	12/2003	Lebel et al.
5,718,562	A	2/1998	Lawless et al.	6,659,978	B1	12/2003	Kasuga et al.
5,741,216	A	4/1998	Hemmingsen et al.	6,659,980	B2	12/2003	Moberg et al.
5,766,155	A	6/1998	Hyman et al.	6,663,602	B2	12/2003	Møller
5,772,635	A	6/1998	Dastur et al.	6,668,196	B1	12/2003	Villegas et al.
5,816,306	A	10/1998	Giacomel	6,669,669	B2	12/2003	Flaherty et al.
5,852,803	A	12/1998	Ashby, III et al.	6,687,546	B2	2/2004	Lebel et al.
5,858,001	A	1/1999	Tsals et al.	6,690,192	B1	2/2004	Wing
5,919,167	A	7/1999	Mulhauser et al.	6,691,043	B2	2/2004	Ribeiro, Jr.
5,925,018	A	7/1999	Ungerstedt	6,692,457	B2	2/2004	Flaherty
5,928,201	A	7/1999	Poulsen et al.	6,692,472	B2	2/2004	Hansen et al.
5,947,934	A	9/1999	Hansen et al.	6,694,191	B2	2/2004	Starkweather
5,951,530	A	9/1999	Steengaard et al.	6,699,218	B2	3/2004	Flaherty et al.
5,957,889	A	9/1999	Poulsen et al.	6,702,779	B2	3/2004	Connelly et al.
5,984,894	A	11/1999	Poulsen et al.	6,715,516	B2	4/2004	Ohms et al.
5,984,897	A	11/1999	Petersen et al.	6,716,198	B2	4/2004	Larsen
5,997,475	A	12/1999	Bortz	6,723,072	B2	4/2004	Flaherty et al.
6,003,736	A	12/1999	Ljunggren	6,733,446	B2	5/2004	Lebel et al.
6,010,485	A	1/2000	Buch-Rasmussen et al.	6,736,796	B2	5/2004	Shekalim
6,033,377	A	3/2000	Rasmussen et al.	6,740,059	B2	5/2004	Flaherty
6,045,537	A	4/2000	Klitmose	6,740,072	B2	5/2004	Starkweather et al.
6,056,728	A	5/2000	Von Schuckmann	6,740,075	B2	5/2004	Lebel et al.
6,074,372	A	6/2000	Hansen	6,744,350	B2	6/2004	Blomquist
6,110,149	A	8/2000	Klitgaard et al.	6,749,587	B2	6/2004	Flaherty
6,156,014	A	12/2000	Petersen et al.	6,752,787	B1	6/2004	Causey, III et al.
6,171,276	B1	1/2001	Lippe et al.	6,758,810	B2	7/2004	Lebel et al.
6,231,540	B1	5/2001	Smedegaard	6,768,425	B2	7/2004	Flaherty
6,248,067	B1	6/2001	Causey, III et al.	6,780,156	B2	8/2004	Haueter et al.
6,248,090	B1	6/2001	Jensen et al.	6,786,246	B2	9/2004	Ohms et al.
6,248,093	B1	6/2001	Moberg	6,786,890	B2	9/2004	Preuthun et al.
6,277,098	B1	8/2001	Klitmose et al.	6,796,970	B1	9/2004	Klitmose et al.
6,302,855	B1	10/2001	Lav et al.	6,799,149	B2	9/2004	Hartlaub
6,302,869	B1	10/2001	Klitgaard	6,809,653	B1	10/2004	Mann et al.
6,368,314	B1	4/2002	Kipfer et al.	6,810,290	B2	10/2004	Lebel et al.
6,375,638	B2	4/2002	Nason et al.	6,811,533	B2	11/2004	Lebel et al.
6,379,339	B1	4/2002	Klitgaard et al.	6,811,534	B2	11/2004	Bowman, IV et al.
6,381,496	B1	4/2002	Meadows et al.	6,813,519	B2	11/2004	Lebel et al.
6,404,098	B1	6/2002	Kayama et al.	6,827,702	B2	12/2004	Lebel et al.
D460,053	S	7/2002	Choi	6,830,558	B2	12/2004	Flaherty et al.
6,427,088	B1	7/2002	Bowman, IV et al.	6,852,104	B2	2/2005	Blomquist
D461,241	S	8/2002	Moberg et al.	6,854,620	B2	2/2005	Ramey
D461,891	S	8/2002	Moberg	6,854,653	B2	2/2005	Eilersen
6,436,072	B1	8/2002	Kullas et al.	6,855,129	B2	2/2005	Jensen et al.
6,461,331	B1	10/2002	Van Antwerp	6,872,200	B2	3/2005	Mann et al.
6,474,219	B2	11/2002	Klitmose et al.	6,873,268	B2	3/2005	Lebel et al.
6,485,461	B1	11/2002	Mason et al.	6,878,132	B2	4/2005	Kipfer
6,508,788	B2	1/2003	Preuthun	6,893,415	B2	5/2005	Madsen et al.
6,524,280	B2	2/2003	Hansen et al.	6,899,695	B2	5/2005	Herrera
				6,899,699	B2	5/2005	Enggaard
				6,922,590	B1	6/2005	Whitehurst
				6,936,006	B2	8/2005	Sabra
				6,936,029	B2	8/2005	Mann et al.

(56)		References Cited			
		U.S. PATENT DOCUMENTS			
6,945,961	B2	9/2005	Miller et al.	2005/0090851	A1 4/2005 Devlin
6,948,918	B2	9/2005	Hansen	2005/0095063	A1 5/2005 Farhallah et al.
6,950,708	B2	9/2005	Bowman, IV et al.	2005/0160858	A1 7/2005 Mernoe
6,960,192	B1	11/2005	Flaherty et al.	2005/0171512	A1 8/2005 Flaherty
6,979,326	B2	12/2005	Mann et al.	2005/0182366	A1 8/2005 Vogt et al.
6,997,911	B2	2/2006	Klitmose	2005/0192561	A1 9/2005 Mernoe
6,997,920	B2	2/2006	Mann et al.	2005/0203461	A1 9/2005 Flaherty et al.
7,005,078	B2	2/2006	Van Lintel et al.	2005/0215982	A1 9/2005 Malave et al.
7,008,399	B2	3/2006	Larsen et al.	2005/0222645	A1 10/2005 Malave et al.
7,014,625	B2	3/2006	Bengtsson	2005/0234404	A1 10/2005 Vilks et al.
7,018,360	B2	3/2006	Flaherty et al.	2005/0238507	A1 10/2005 Dianni et al.
7,025,743	B2	4/2006	Mann et al.	2005/0245878	A1 11/2005 Mernoe et al.
7,029,455	B2	4/2006	Flaherty	2005/0251097	A1 11/2005 Mernoe
7,054,836	B2	5/2006	Christensen et al.	2005/0267402	A1 12/2005 Stewart et al.
7,104,972	B2	9/2006	Moller et al.	2005/0273059	A1 12/2005 Mernoe et al.
7,128,727	B2	10/2006	Flaherty et al.	2006/0041229	A1 2/2006 Garibotto et al.
7,133,329	B2	11/2006	Skyggebjerg et al.	2006/0069382	A1 3/2006 Pedersen
7,232,423	B2	6/2007	Mernoe	2006/0074381	A1 4/2006 Malave et al.
7,534,226	B2	5/2009	Mernoe et al.	2006/0095014	A1 5/2006 Ethelfeld
D614,587	S	4/2010	Yodfat et al.	2006/0135913	A1 6/2006 Ethelfeld
7,708,717	B2	5/2010	Estes et al.	2006/0142698	A1 6/2006 Ethelfeld
7,717,903	B2	5/2010	Estes et al.	2006/0151545	A1 7/2006 Imhof et al.
7,789,859	B2	9/2010	Estes et al.	2006/0178633	A1 8/2006 Garibotto et al.
7,828,528	B2	11/2010	Estes et al.	2006/0184119	A1 8/2006 Remde et al.
7,887,512	B2	2/2011	Estes et al.	2006/0200073	A1 9/2006 Radmer et al.
7,938,797	B2	5/2011	Estes	2006/0206054	A1 9/2006 Shekalim
8,202,249	B2	6/2012	Iio et al.	2006/0247581	A1 11/2006 Pedersen et al.
8,262,616	B2	9/2012	Grant et al.	2007/0073228	A1 3/2007 Mernoe et al.
D669,165	S *	10/2012	Estes D24/111	2007/0073235	A1 3/2007 Estes et al.
D669,166	S	10/2012	Estes et al.	2007/0073236	A1 3/2007 Mernoe et al.
D669,167	S *	10/2012	Estes D24/111	2007/0106218	A1 3/2007 Yodfat et al.
D687,541	S	8/2013	Estes et al.	2007/0088271	A1 4/2007 Richards
D689,523	S *	9/2013	Galbraith D15/7	2007/0124002	A1 5/2007 Estes et al.
D691,258	S	10/2013	Estes et al.	2007/0156092	A1 7/2007 Estes et al.
D691,259	S	10/2013	Estes et al.	2007/0167905	A1 7/2007 Estes et al.
D697,204	S *	1/2014	Maier D24/111	2007/0167912	A1 7/2007 Causey et al.
D709,183	S *	7/2014	Kemlein D24/111	2007/0179444	A1 8/2007 Causey et al.
D766,424	S *	9/2016	Anderson D24/111	2007/0239116	A1 10/2007 Follman et al.
D777,906	S *	1/2017	Anderson D24/111	2008/0051716	A1 2/2008 Stutz
2001/0041869	A1	11/2001	Causey et al.	2008/0097381	A1 4/2008 Moberg et al.
2001/0056262	A1	12/2001	Cabiri et al.	2008/0208627	A1 8/2008 Skyggebjerg
2002/0004651	A1	1/2002	Ljunggreen et al.	2008/0294094	A1 11/2008 Mhatre et al.
2002/0007154	A1	1/2002	Hansen et al.	2008/0294108	A1 11/2008 Briones et al.
2002/0040208	A1	4/2002	Flaherty et al.	2008/0294109	A1 11/2008 Estes et al.
2002/0091358	A1	7/2002	Klitmose	2008/0294142	A1 11/2008 Patel et al.
2002/0126036	A1	9/2002	Flaherty et al.	2008/0319383	A1 12/2008 Byland et al.
2002/0177810	A1	11/2002	Reilly et al.	2009/0067989	A1 3/2009 Estes et al.
2003/0055380	A1	3/2003	Flaherty	2009/0069745	A1 3/2009 Estes et al.
2003/0065308	A1	4/2003	Lebel et al.	2009/0069746	A1 3/2009 Miller et al.
2003/0088238	A1	5/2003	Poulsen et al.	2009/0069749	A1 3/2009 Miller et al.
2003/0167035	A1	9/2003	Flaherty et al.	2009/0069784	A1 3/2009 Estes et al.
2003/0198558	A1	10/2003	Nason et al.	2009/0069785	A1 3/2009 Miller et al.
2003/0199825	A1	10/2003	Flaherty	2009/0069787	A1 3/2009 Estes et al.
2003/0216683	A1	11/2003	Shekalim	2009/0099523	A1* 4/2009 Grant A61M 5/14244 604/151
2004/0010207	A1	1/2004	Flaherty et al.	2009/0156990	A1 6/2009 Wenger et al.
2004/0019325	A1	1/2004	Shekalim	2009/0292247	A1* 11/2009 Basso A61M 5/14232 604/151
2004/0064088	A1	4/2004	Gorman et al.	2011/0040247	A1 2/2011 Mandro et al.
2004/0064096	A1	4/2004	Flaherty et al.	2012/0022496	A1* 1/2012 Causey A61M 5/14244 604/500
2004/0078028	A1	4/2004	Flaherty et al.	2012/0053560	A1 3/2012 Kawamura
2004/0087894	A1	5/2004	Flaherty	2012/0215201	A1 8/2012 Brauker et al.
2004/0092865	A1	5/2004	Flaherty et al.	2012/0238999	A1 9/2012 Estes et al.
2004/0092878	A1	5/2004	Flaherty	2012/0330270	A1 12/2012 Colton
2004/0116866	A1	6/2004	Gorman et al.	2015/0080842	A1* 3/2015 Mathys A61M 5/1452 604/500
2004/0127844	A1	7/2004	Flaherty	2016/0058939	A1* 3/2016 Brewer A61M 5/14244 604/500
2004/0153032	A1	8/2004	Garribotto et al.	2016/0089491	A1* 3/2016 Smith A61M 5/1452 604/500
2004/0171983	A1	9/2004	Sparks et al.	2016/0235913	A1* 8/2016 Smith A61M 5/14244
2004/0176727	A1	9/2004	Shekalim	2016/0250422	A1* 9/2016 Koch A61M 5/1454 604/110
2004/0204673	A1	10/2004	Flaherty		
2004/0220551	A1	11/2004	Flaherty et al.		
2004/0235446	A1	11/2004	Flaherty et al.		
2004/0260233	A1	12/2004	Caribotto et al.		
2005/0021005	A1	1/2005	Flaherty et al.		
2005/0022274	A1	1/2005	Campbell et al.		
2005/0065760	A1	3/2005	Murfeldt et al.		
2005/0090808	A1	4/2005	Malave et al.		

(56)

References Cited

U.S. PATENT DOCUMENTS

2016/0361494 A1* 12/2016 Jurg A61M 5/14216
 2017/0049957 A1* 2/2017 Michaud A61M 5/14248

FOREIGN PATENT DOCUMENTS

DE	102 36 669	2/2004
EP	0 062 974	10/1982
EP	0 496 141	7/1992
EP	0 612 004	8/1994
EP	0 580 723	10/1995
EP	0 275 213	7/1998
EP	1 045 146	10/2000
EP	1 136 698	9/2001
EP	1 177 802	2/2002
EP	0 721 358	5/2002
EP	1 495 775	1/2005
EP	1 527 792	5/2005
EP	1 754 498	2/2007
EP	1 818 664	8/2007
FR	2 585 252	1/1987
GB	747 701	4/1956
GB	2 218 831	11/1989
WO	WO 1990/15928	12/1990
WO	WO 1997/21457	6/1997
WO	WO 1998/04301	2/1998
WO	WO 1998/11927	3/1998
WO	WO 1998/57683	12/1998
WO	WO 1999/21596	5/1999
WO	WO 1999/39118	8/1999
WO	WO 1999/48546	9/1999
WO	WO 2001/72360	10/2001
WO	WO 2001/91822	12/2001
WO	WO 2001/91833	12/2001
WO	WO 2002/40083	5/2002
WO	WO 2002/057627	7/2002
WO	WO 2002/068015	9/2002
WO	WO 2002/084336	10/2002
WO	WO 2002/100469	12/2002
WO	WO 2003/026726	4/2003
WO	WO 2003/103763	12/2003

WO	WO 2004/056412	7/2004
WO	WO 2004/110526	12/2004
WO	WO 2005/002652	1/2005
WO	WO 2005/039673	5/2005
WO	WO 2005/072794	8/2005
WO	WO 2005/072795	8/2005
WO	WO 2006/067217	6/2006
WO	WO 2006/097453	9/2006
WO	WO 2006/105792	10/2006
WO	WO 2006/105793	10/2006
WO	WO 2006/105794	10/2006
WO	WO 2007/141786	12/2007

OTHER PUBLICATIONS

Bigfoot Biomedical Reveals its Automated Insulin Delivery System. diaTribe. Date published: Jan. 25, 2016. <<https://diatribe.org/bigfoot-biomedical-reveals-its-automated-insulin-delivery-system>>.*

Accu-Chek Spirit, "Pump Therapy Made for You," Roche, 2006, 6 pages.

Collins and Lee, "Microfluidic flow transducer based on the measurement of electrical admittance," Lab Chip, 2004, 4:7-10.

Debiotech News Release, "Debiotech reveals its new miniaturized Disposable Insulin Nanopump™ for Diabetes therapy," available at http://www.debiotech.com/news/nw_159.html Apr. 24, 2006, 3 pages.

Medtronic News Release, "Medtronic Receives FDA Approval for World's First Insulin Pump with Real-time Continuous Glucose Monitoring," Apr. 13, 2006, 3 pages.

OmniPod Insulin Management System—Investor Relations—Press Release, Feb. 1, 2005, <http://investors.insulet.com/phoenix.zhtml?c=209336&p=irol-newsArticle&ID=988708&highlight=1> page.

OmniPod Quick Start Guide, 2007, 2 pages.

Patent Abstracts of Japan, vol. 1999, No. 04, and JP 11 010036, Apr. 30, 1999 and Jan. 19, 1999, Toray Ind. Inc.

The Medtronic Diabetes Connection, 2006, 6 pages.

Xilas Temp Touch, "The latest in high-tech and convenient devices," DOCNews, 2(1), Jul. 1, 2005, <http://docnews.diabetesjournals.org/cgi/content/full/2/7/13>, 3 pages.

* cited by examiner

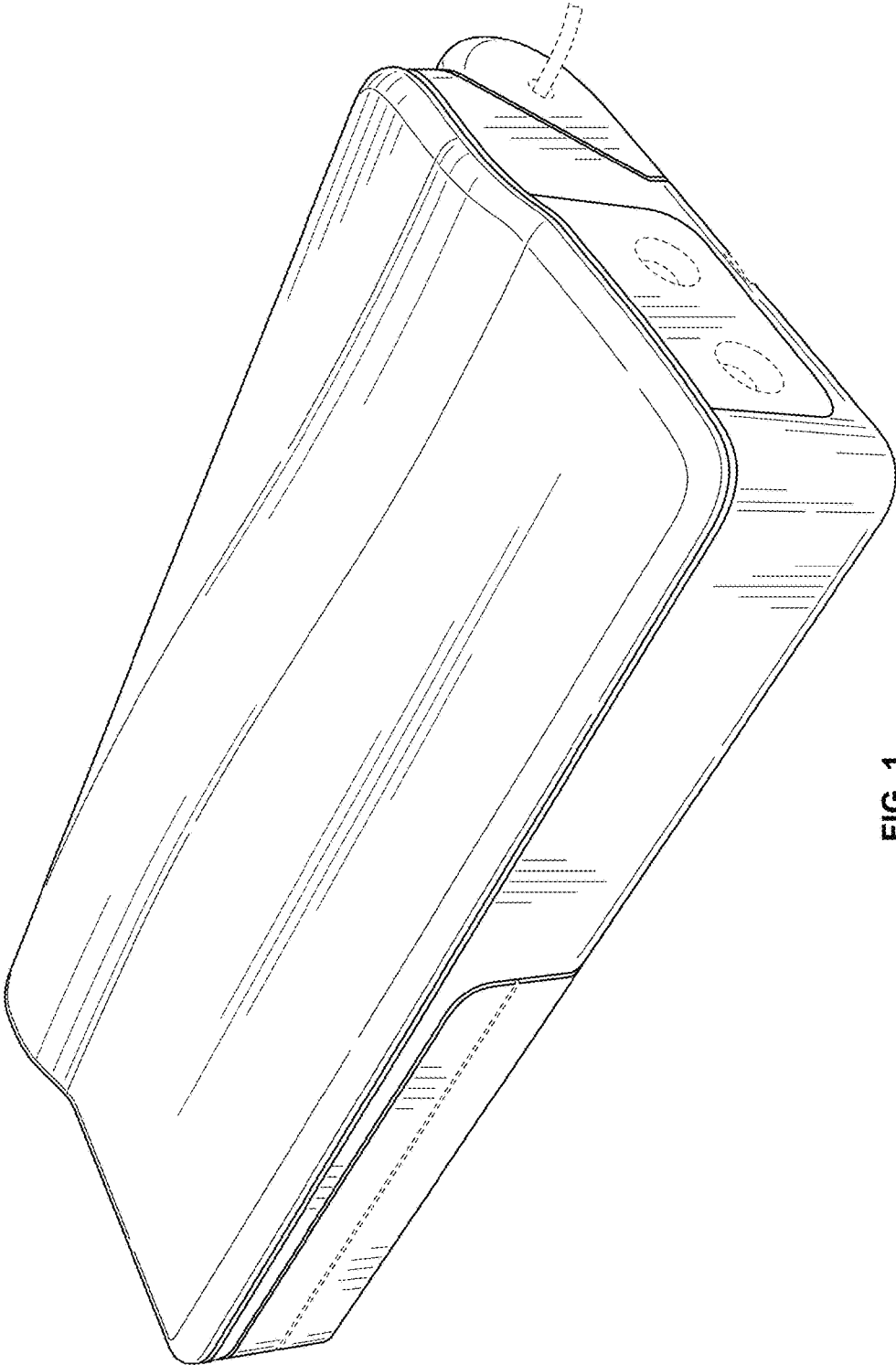


FIG. 1

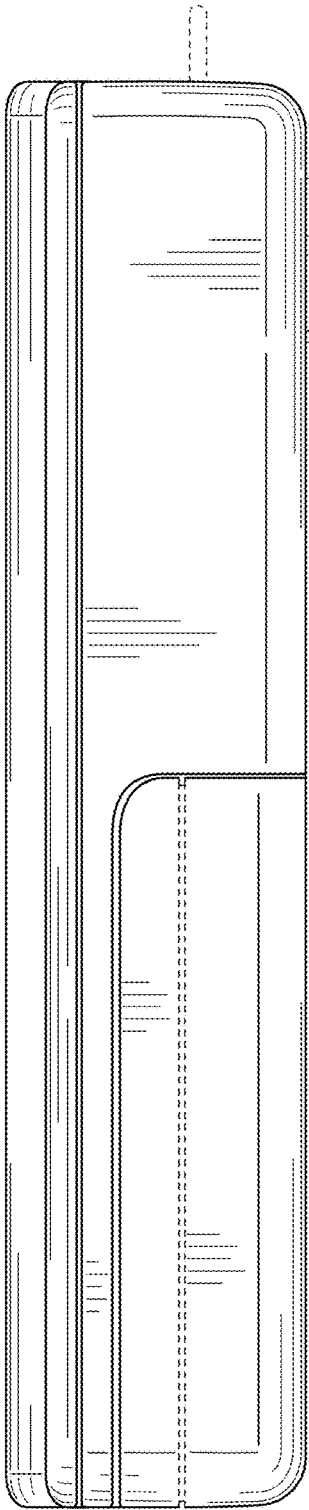


FIG. 2

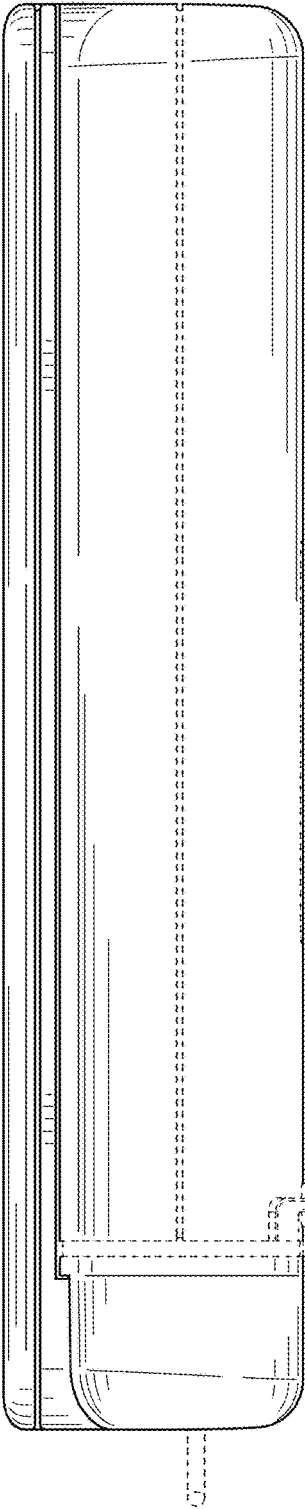


FIG. 3

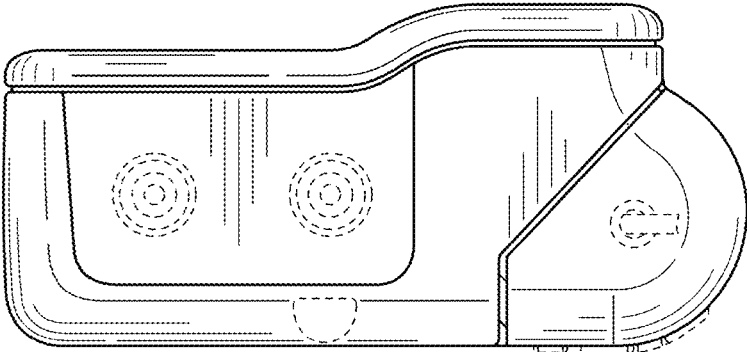


FIG. 4

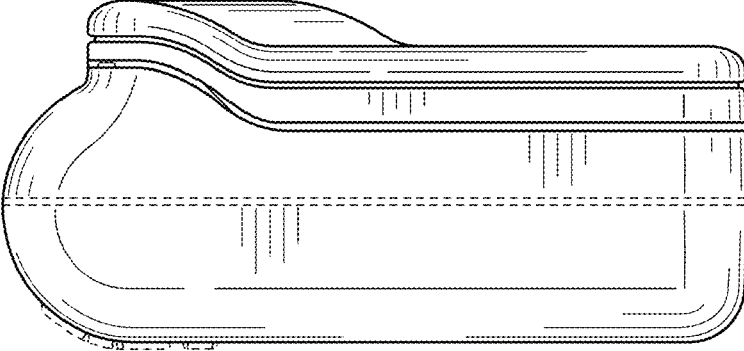


FIG. 5

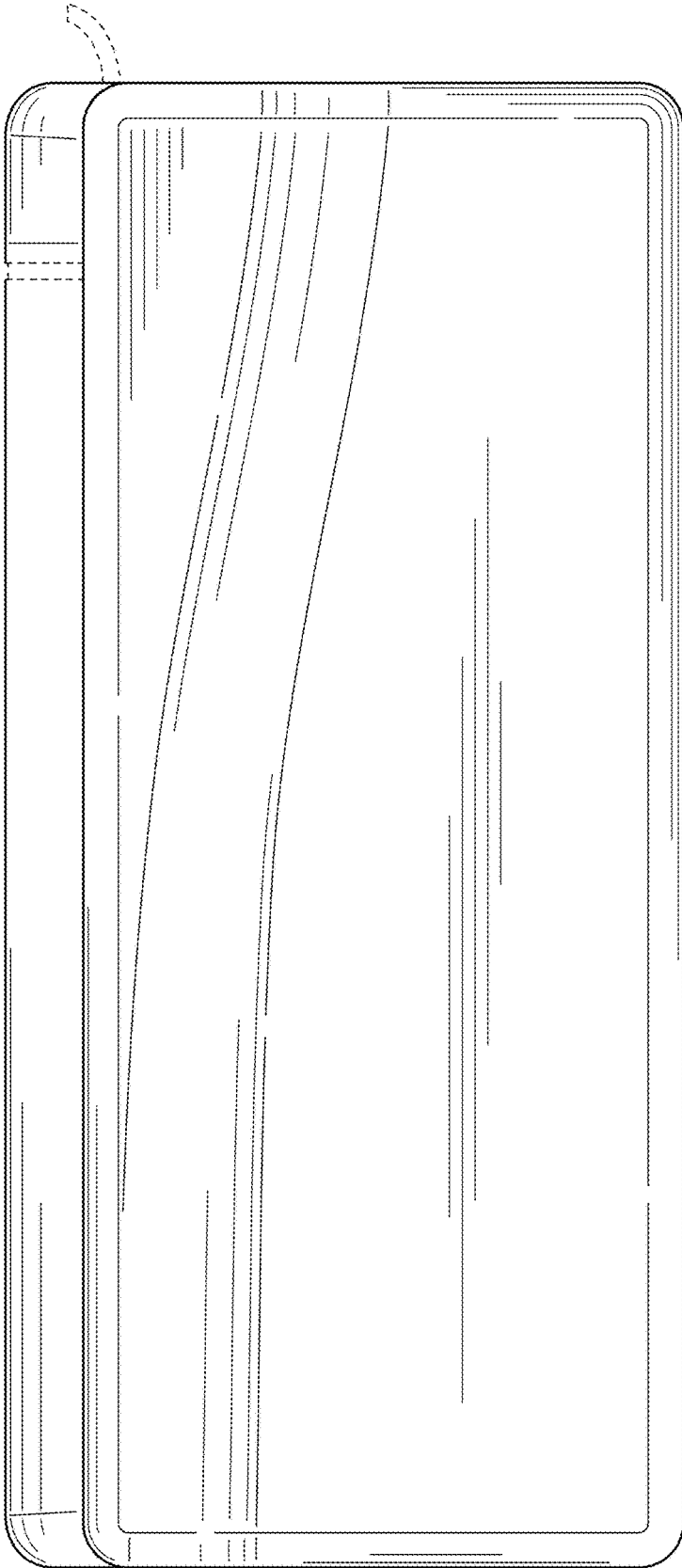


FIG. 6

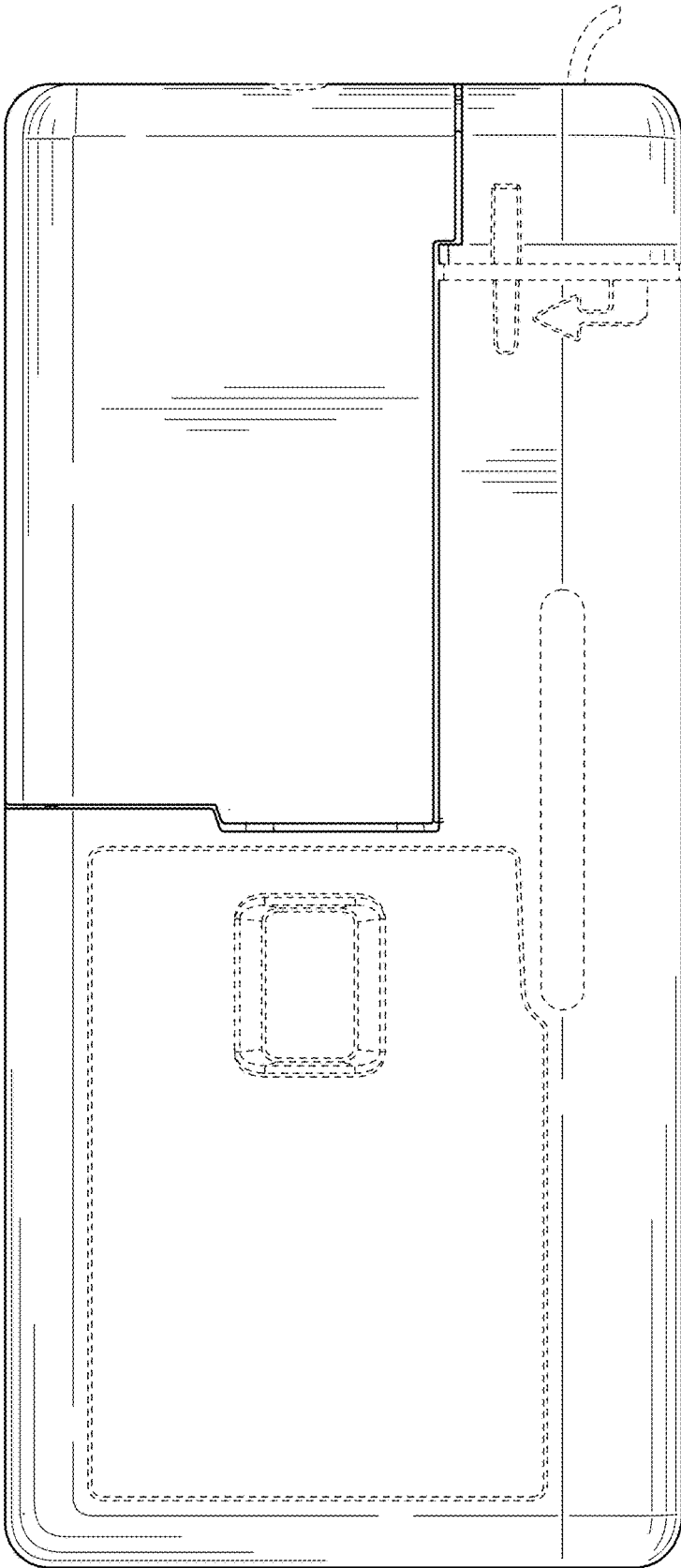


FIG. 7