



US00D748853S

(12) **United States Design Patent**
Seibel et al.

(10) **Patent No.:** **US D748,853 S**

(45) **Date of Patent:** **** Feb. 2, 2016**

(54) **E-CIGARETTE**

(71) Applicant: **Posh Global GmbH**, Duesseldorf (DE)

(72) Inventors: **Andre Seibel**, Leverkusen (DE); **Martin Block**, Remscheid (DE)

(73) Assignee: **posh global GmbH**, Duesseldorf (DE)

(**) Term: **14 Years**

(21) Appl. No.: **29/514,840**

(22) Filed: **Jan. 16, 2015**

(51) **LOC (10) Cl.** **27-01**

(52) **U.S. Cl.**
USPC **D27/101**

(58) **Field of Classification Search**

USPC D27/101, 162, 163, 167; D24/110;
D23/360; D19/115, 122, 159, 163,
D19/178; D14/411

CPC A61M 15/00; A61M 15/06; A24F 47/00;
A24F 47/002; A24F 47/004; A24F 47/006;
A24F 47/008

See application file for complete search history.

(56) **References Cited**

U.S. PATENT DOCUMENTS

D379,473 S * 5/1997 DeLorenzo D19/159
D402,690 S * 12/1998 Hazzard 401/195
D453,531 S * 2/2002 Simon D19/163

D619,579 S * 7/2010 Flores Rodrigues
Vieira D14/411
D686,621 S * 7/2013 Pawlus D14/411
D692,429 S * 10/2013 So D14/411
D692,889 S * 11/2013 So D14/411
D719,163 S * 12/2014 Dowd D14/411
D723,557 S * 3/2015 Dowd D14/411
D725,310 S * 3/2015 Eksouzian D27/101
D727,566 S * 4/2015 Xiao D27/101
2009/0151717 A1 * 6/2009 Bowen A61M 11/041
128/200.23
2013/0042865 A1 * 2/2013 Monsees A61M 15/06
128/203.27

* cited by examiner

Primary Examiner — Susan Bennett Hattan

Assistant Examiner — Janice Hallmark

(74) *Attorney, Agent, or Firm* — Fay Sharpe LLP

(57) **CLAIM**

The ornamental design for an e-cigarette, as shown and described.

DESCRIPTION

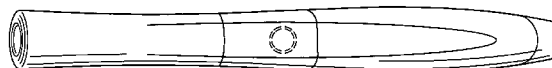
FIG. 1 is a left side elevational view of an e-cigarette according to our new design, with a right side elevational view being a mirror image thereof;

FIG. 2 is a top plan view thereof;

FIG. 3 is a bottom plan view thereof; and,

FIG. 4 is a bottom perspective view thereof.

1 Claim, 2 Drawing Sheets



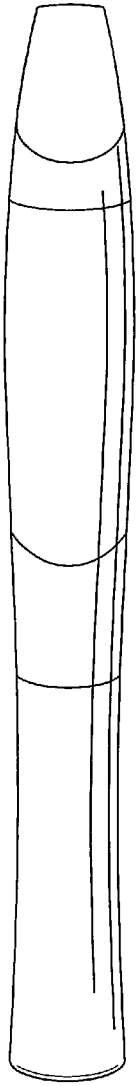


FIG. 2

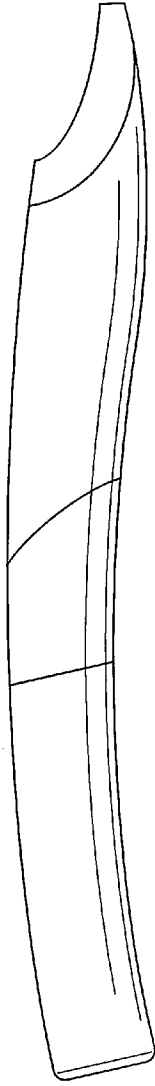


FIG. 1

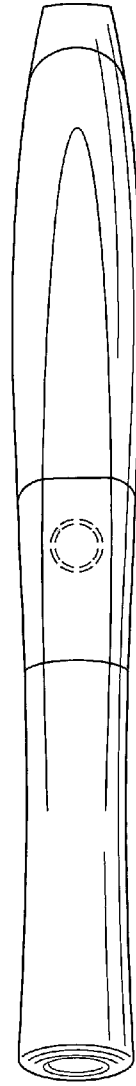


FIG. 3

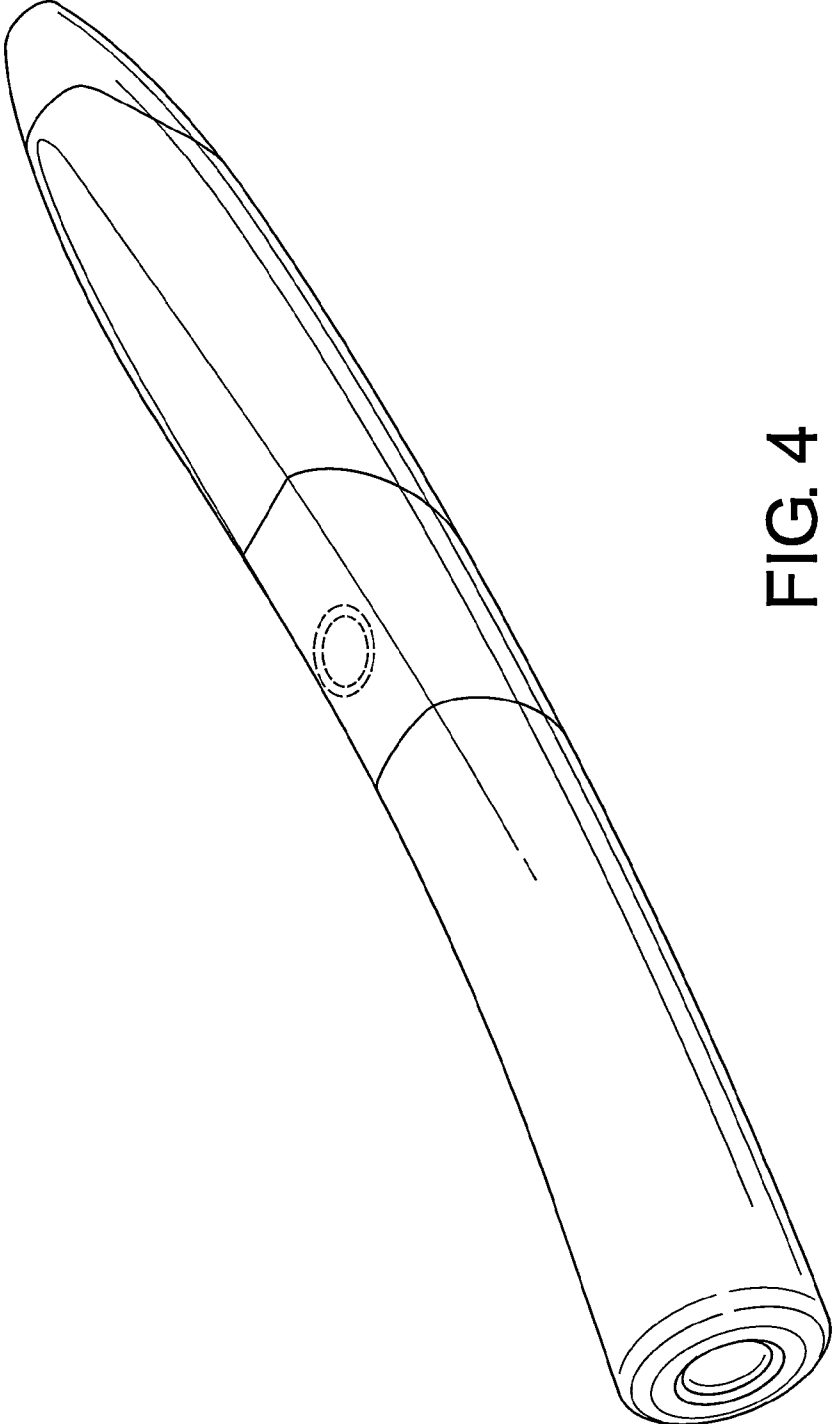


FIG. 4