



(12) **United States Design Patent**
Badstuebner et al.

(10) **Patent No.:** **US D847,072 S**
(45) **Date of Patent:** **** Apr. 30, 2019**

- (54) **WHEEL OR WHEEL COVER**
- (71) Applicant: **Daimler AG**, Stuttgart (DE)
- (72) Inventors: **Achim-Dietrich Badstuebner**, Munich (DE); **Robert Lesnik**, Leonberg (DE); **Peter Riedel**, Holzgerlingen (DE); **Jaroslav Hejtmanek**, Moetzingen (DE)
- (73) Assignee: **Daimler AG**, Stuttgart (DE)
- (**) Term: **15 Years**
- (21) Appl. No.: **29/640,332**
- (22) Filed: **Mar. 14, 2018**
- (51) **LOC (11) Cl.** **12-16**
- (52) **U.S. Cl.**
USPC **D12/209**
- (58) **Field of Classification Search**
USPC D12/204-213; D21/533, 561, 563
CPC B60B 7/00; B60B 7/02; B60B 7/04; B60B 7/06; B60B 3/02; B60B 3/04; B60B 3/06; B60B 3/10; B60B 1/00; B60B 1/08; B60B 1/10; B60B 1/12
See application file for complete search history.

D650,315 S *	12/2011	Juergens	D12/211
D670,632 S *	11/2012	Schweizer	D12/211
D686,966 S *	7/2013	Pollmann	D12/211
D717,709 S *	11/2014	Valencia Pollex	D12/209
D723,986 S *	3/2015	Lemke	D12/209
D730,795 S *	6/2015	Mays	D12/209
D741,772 S *	10/2015	Lesnik	D12/211
D746,756 S *	1/2016	George	D12/211
D749,029 S *	2/2016	Wheel	D12/211
D753,571 S *	4/2016	Juergens	D12/211
D753,572 S *	4/2016	Juergens	D12/211
D763,761 S *	8/2016	Dionisopoulos	D12/209
D775,574 S *	1/2017	Maher	D12/209
D780,654 S *	3/2017	Gallert	D12/204
D803,755 S *	11/2017	Widua	D12/211
D805,457 S *	12/2017	Setter	D12/211
D808,324 S *	1/2018	Ninov	D12/211
D823,221 S *	7/2018	Badstuebner	D12/209
D826,824 S *	8/2018	Platto	D12/209
D828,265 S *	9/2018	Gallert	D12/209
D835,559 S *	12/2018	Langhals	D12/209

* cited by examiner

Primary Examiner — Sheryl Lane

Assistant Examiner — Calvin E Vansant

(74) *Attorney, Agent, or Firm* — Crowell & Moring LLP

(57) **CLAIM**

The ornamental design for a wheel or wheel cover, as shown and described.

DESCRIPTION

FIG. 1 is a front view of a wheel or wheel cover according to the design; and,

FIG. 2 is a perspective view thereof.

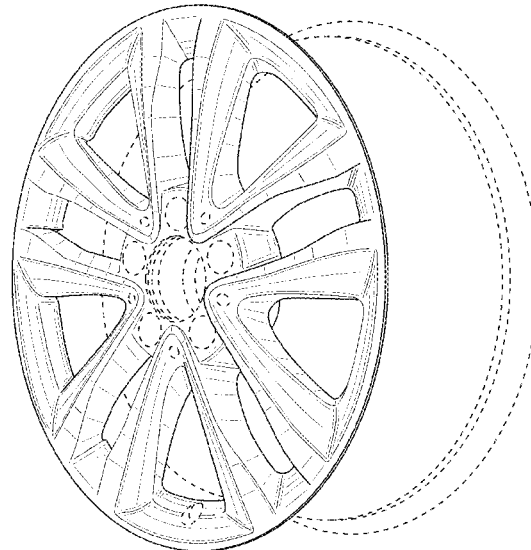
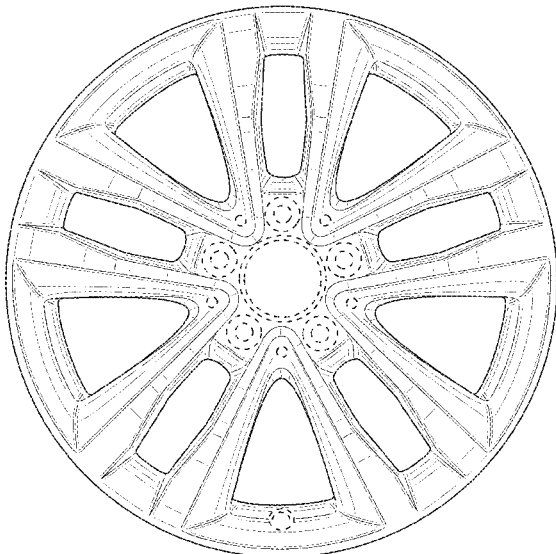
The broken lines in the drawings illustrate environmental subject matter only and form no part of the claimed design.

1 Claim, 2 Drawing Sheets

(56) **References Cited**

U.S. PATENT DOCUMENTS

D537,026 S *	2/2007	Nordmann	D12/209
D579,397 S *	10/2008	Osborne	D12/211
D587,177 S *	2/2009	Scheu	D12/209
D590,314 S *	4/2009	Hettler	D12/209
D615,018 S *	5/2010	Truebsbach	D12/211
D625,675 S *	10/2010	Juergens	D12/209
D629,346 S *	12/2010	Szews	D12/211



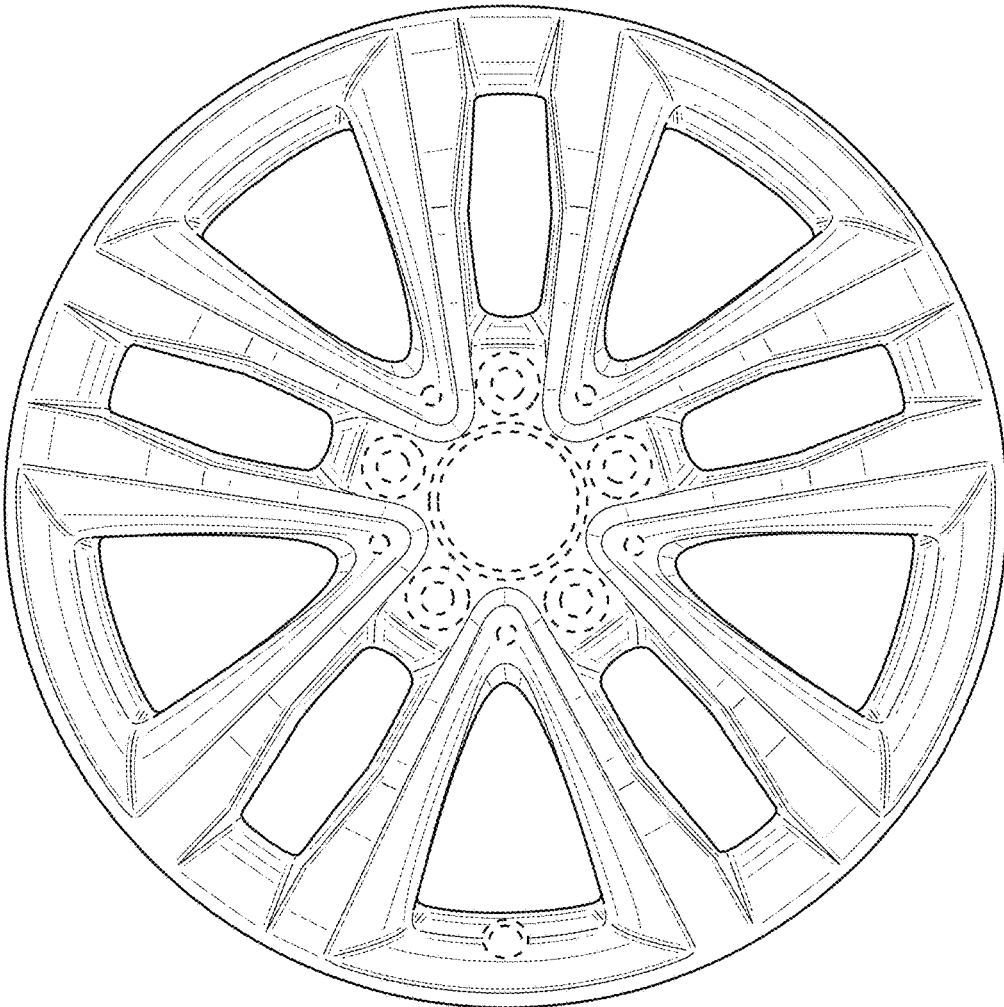


FIG. 1

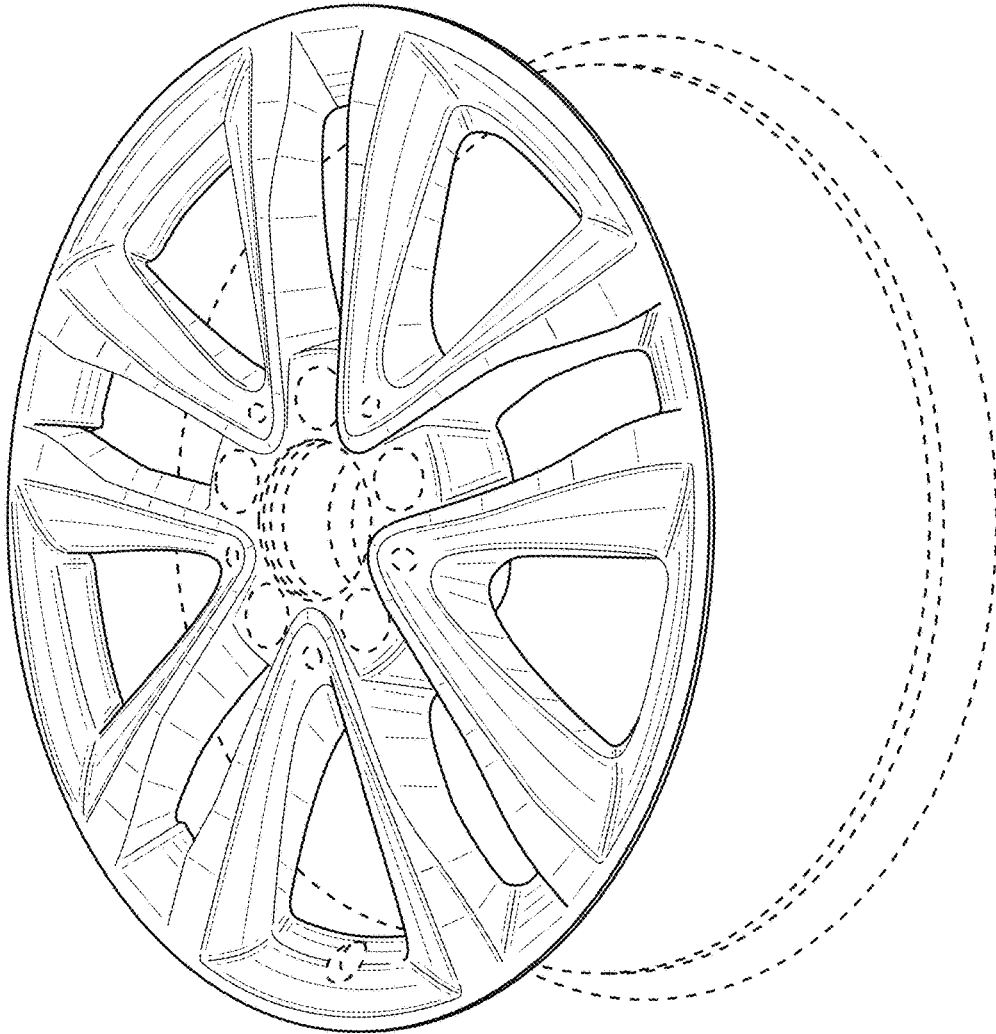


FIG. 2