



(12) **United States Design Patent**  
**Fineberg**

(10) **Patent No.:** **US D598,677 S**  
(45) **Date of Patent:** **\*\* Aug. 25, 2009**

(54) **COMPACT TABLE**

*Primary Examiner—Janice E Seeger*

(76) Inventor: **Sumner M. Fineberg**, 107 Woodland Dr., Jamestown, NC (US) 27282

(57) **CLAIM**

The ornamental design for a compact table, as shown and described.

(\*\*) Term: **14 Years**

(21) Appl. No.: **29/322,936**

(22) Filed: **Aug. 14, 2008**

**DESCRIPTION**

(51) **LOC (9) Cl.** ..... **06-03**  
(52) **U.S. Cl.** ..... **D6/482; D6/483**  
(58) **Field of Classification Search** ..... D6/480–489,  
D6/495–499, 439–431, 423, 477–479; 108/150,  
108/153.1, 155, 156, 161, 115, 118, 131,  
108/129, 132, 120; 248/188, 188.1, 188.8  
See application file for complete search history.

FIG. 1 is a top, front, right side perspective view of a table embodying my design;  
FIG. 2 is a top plan view thereof;  
FIG. 3 is a bottom plan view thereof;  
FIG. 4 is a rear elevational view thereof;  
FIG. 5 is a front elevational view thereof;  
FIG. 6 is a left side elevational view thereof;  
FIG. 7 is a right side elevational view thereof;  
FIG. 8 is a view of the table seen in FIG. 5 as along lines 8—8;  
and,  
FIG. 9 is a view of the table seen in FIG. 5 as along lines 9—9.

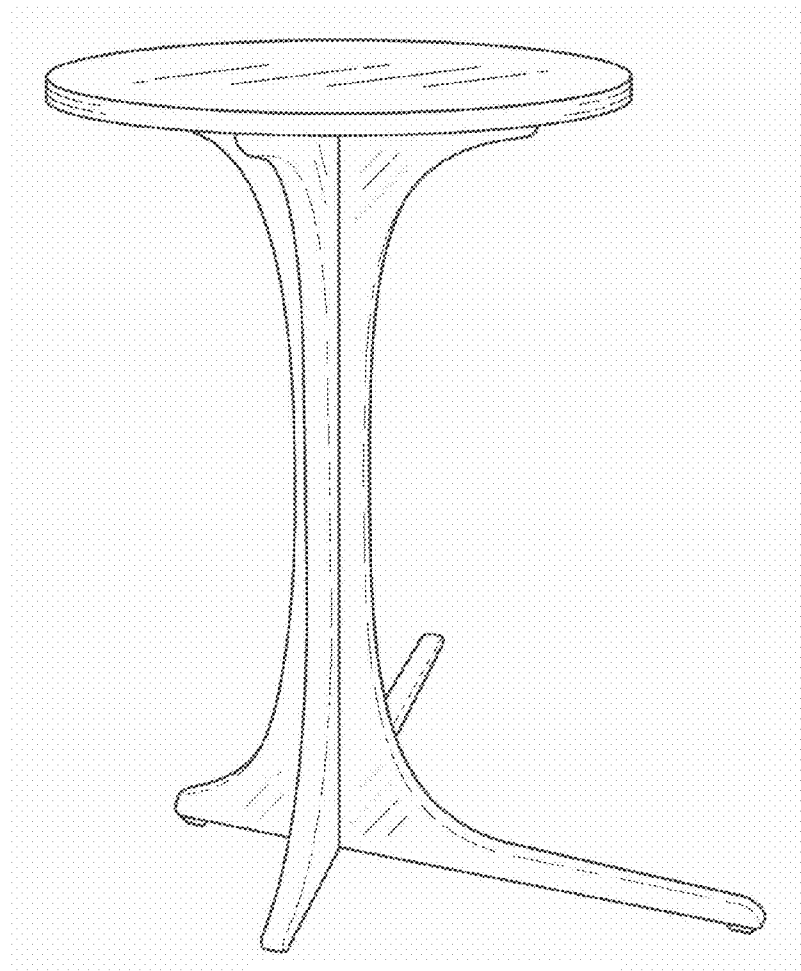
(56) **References Cited**

**U.S. PATENT DOCUMENTS**

D132,098 S \* 4/1942 Corbett ..... D6/420  
D359,637 S \* 6/1995 Hammie ..... D6/482  
D562,036 S \* 2/2008 Roberts ..... D6/495

\* cited by examiner

**1 Claim, 3 Drawing Sheets**



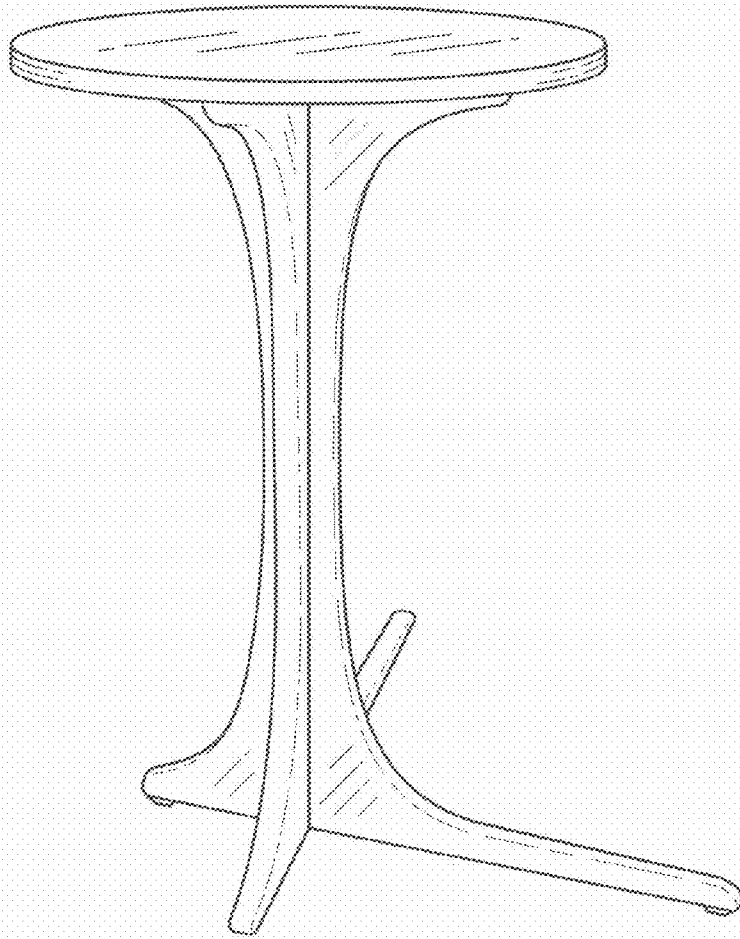


Fig. 1

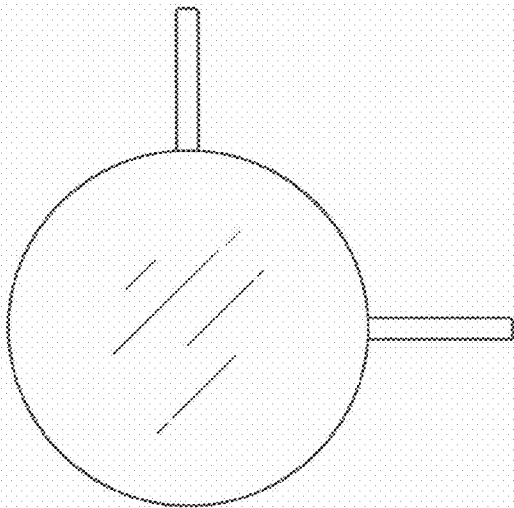


Fig. 2

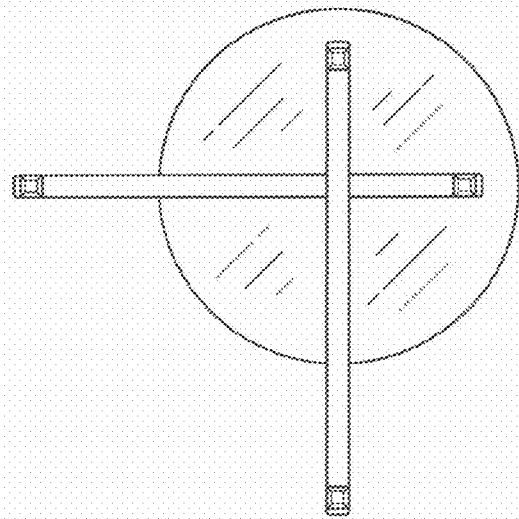


Fig. 3

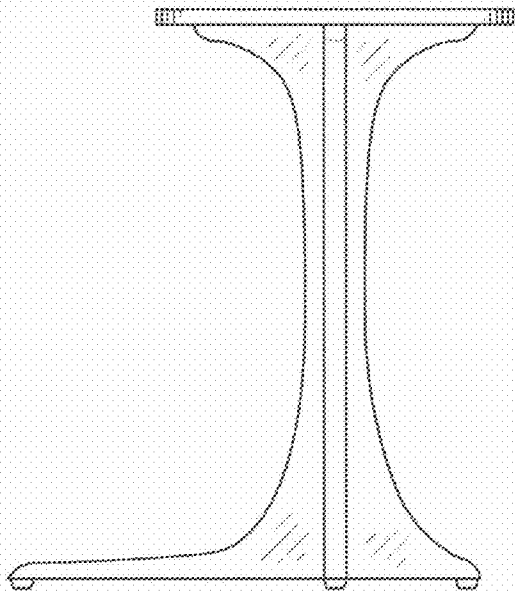


Fig. 4



Fig. 5

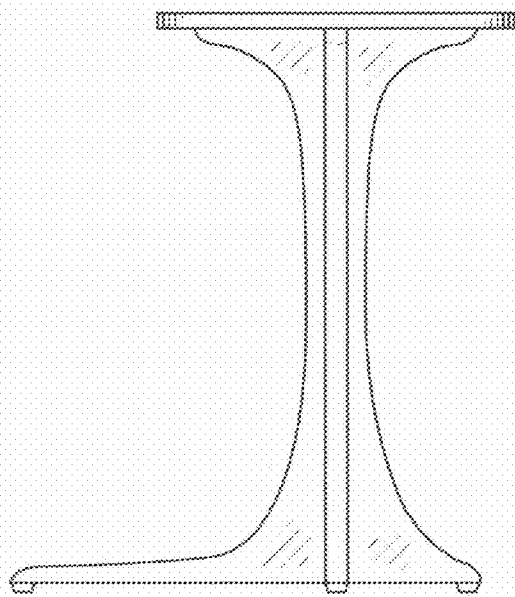


Fig. 6

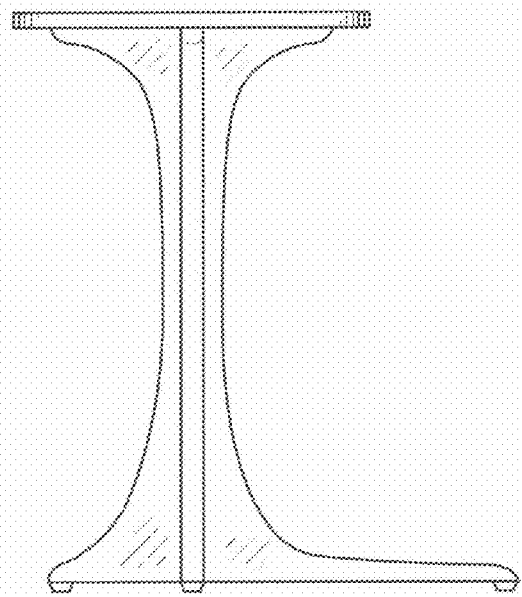


Fig. 7

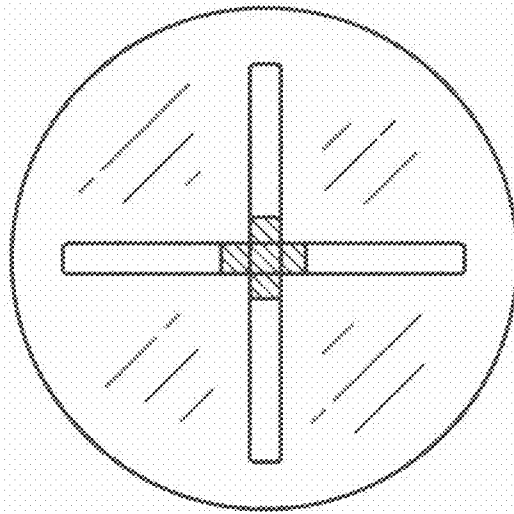


Fig. 8

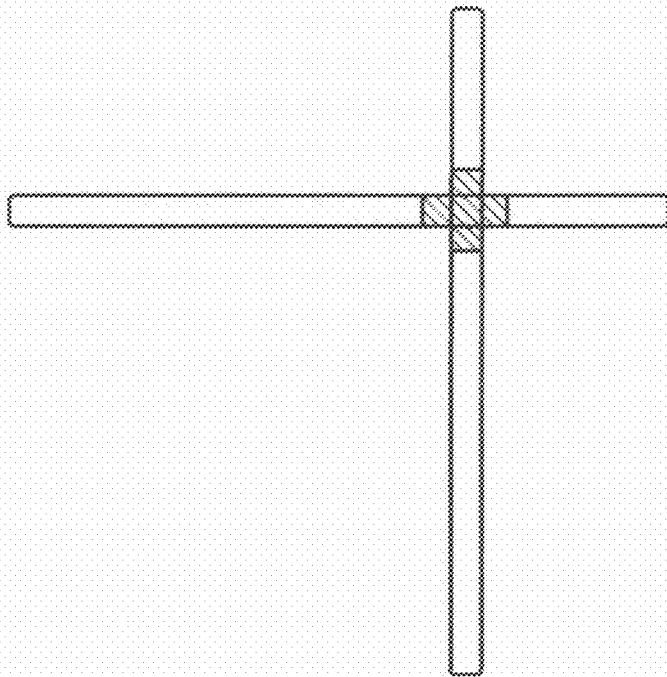


Fig. 9