



US00D686138S

(12) **United States Design Patent**
Chartier et al.

(10) **Patent No.:** **US D686,138 S**

(45) **Date of Patent:** **** Jul. 16, 2013**

(54) **PORTION OF A PNEUMATIC TIRE**

(75) Inventors: **Thierry Chartier**, St Beauzire (FR);
Hélène Emorine, Chateaugay (FR);
Patrick Bervas, Clermont-Ferrand (FR)

D502,441 S 3/2005 Lo
D572,653 S 7/2008 Knowles et al.
D585,361 S * 1/2009 Ho D12/521
D593,931 S 6/2009 Fontaine et al.
D606,924 S 12/2009 Bervas et al.
D609,161 S 2/2010 Fontaine et al.
D666,551 S * 9/2012 Schmidt-Zum Berge
et al. D12/521

(73) Assignees: **Compagnie Generale des
Etablissements Michelin**,
Clermont-Ferrand (FR); **Michelin
Recherche et Technique S.A.**,
Granges-Paccot (CH)

OTHER PUBLICATIONS

U.S. Appl. No. 29/355,198, Bervas et al.

* cited by examiner

(**) Term: **14 Years**

Primary Examiner — George D Kirschbaum

(21) Appl. No.: **29/400,887**

(74) *Attorney, Agent, or Firm* — Buchanan Ingersoll &
Rooney PC

(22) Filed: **Sep. 2, 2011**

(57) **CLAIM**

The ornamental design for a portion of a pneumatic tire, as shown and described.

(30) **Foreign Application Priority Data**

Mar. 2, 2011 (FR) 11 1177

DESCRIPTION

(51) **LOC (9) Cl.** **12-15**

(52) **U.S. Cl.**
USPC **D12/521**

(58) **Field of Classification Search**
USPC D12/505-532; 152/209.1-209.28
See application file for complete search history.

FIG. 1 is a front perspective view of a portion of a pneumatic tire showing our new design.
FIG. 2 is a front elevational view thereof.
FIG. 3 is a left side elevational view thereof; and,
FIG. 4 is a right side elevational view thereof.

In the drawings, the broken lines defining the sidewall, inner bead and the unclaimed sidewall depict environmental subject matter that forms no part of the claimed design. The dash-dot lines represent the peripheral boundary between the claimed tire tread and unclaimed sidewall.

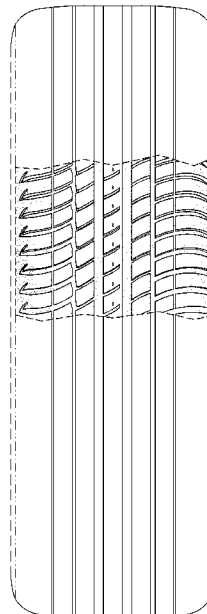
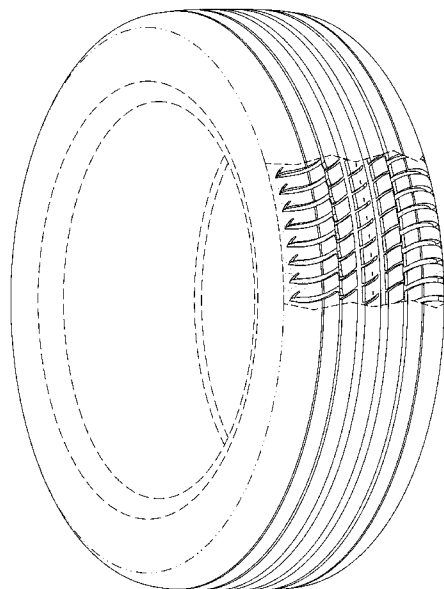
The tread pattern is understood to repeat uniformly throughout the circumference of the tire, as shown schematically in solid lines.

(56) **References Cited**

U.S. PATENT DOCUMENTS

D312,062 S 11/1990 Convert et al.
5,135,038 A 8/1992 Graas et al.
D402,938 S 12/1998 Villamizar
D403,628 S 1/1999 Muhlhoff et al.
D432,957 S 10/2000 Ricquet
D444,428 S 7/2001 Hutz et al.

1 Claim, 4 Drawing Sheets



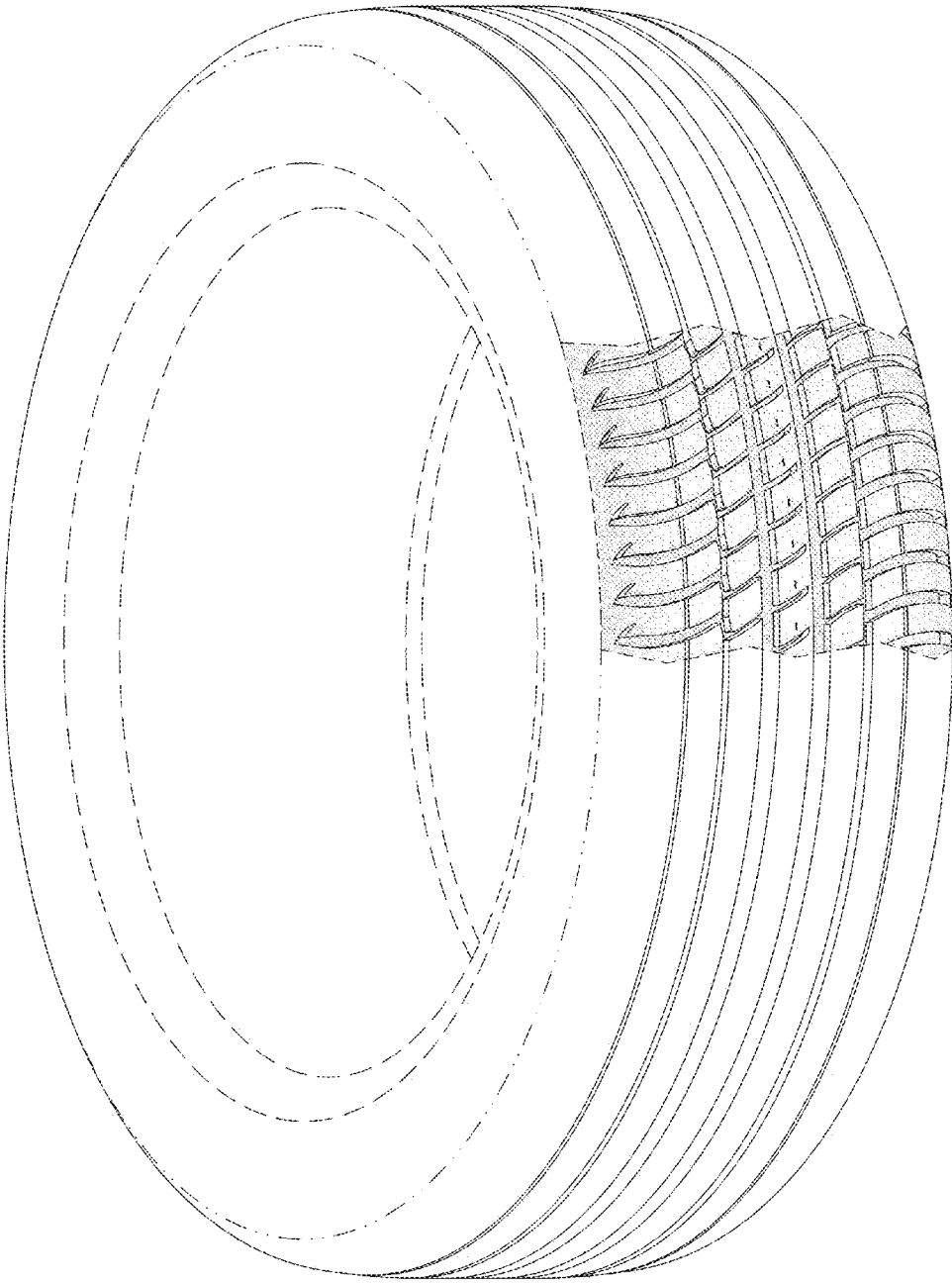


FIG. 1

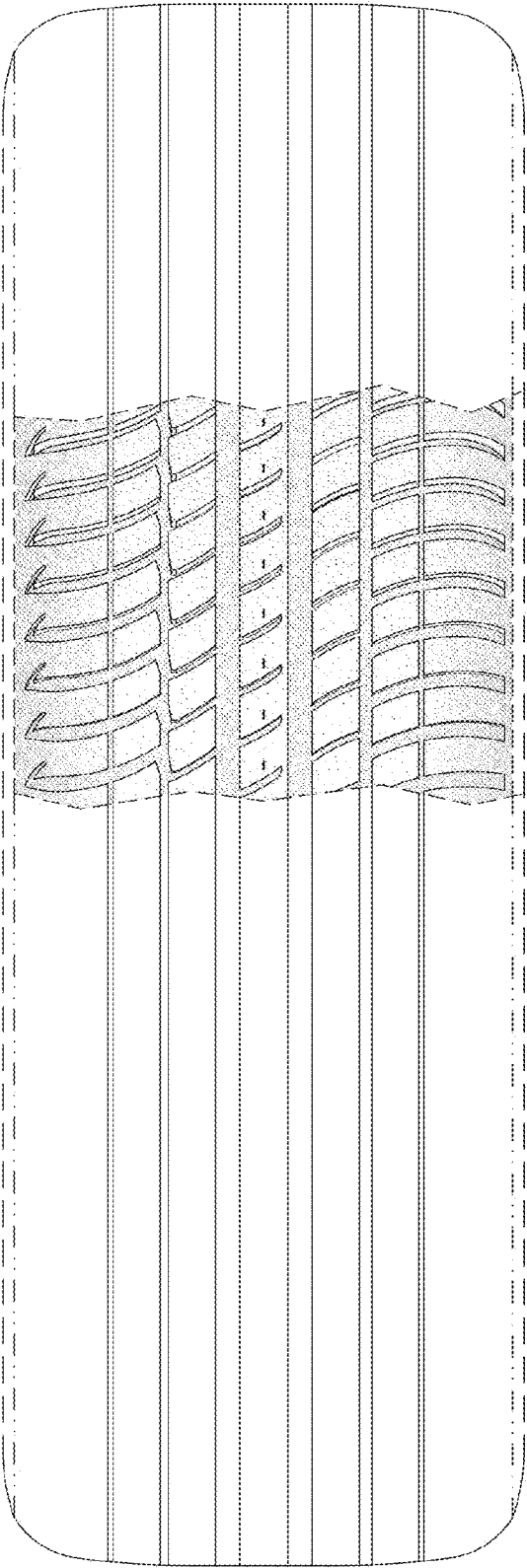


FIG. 2

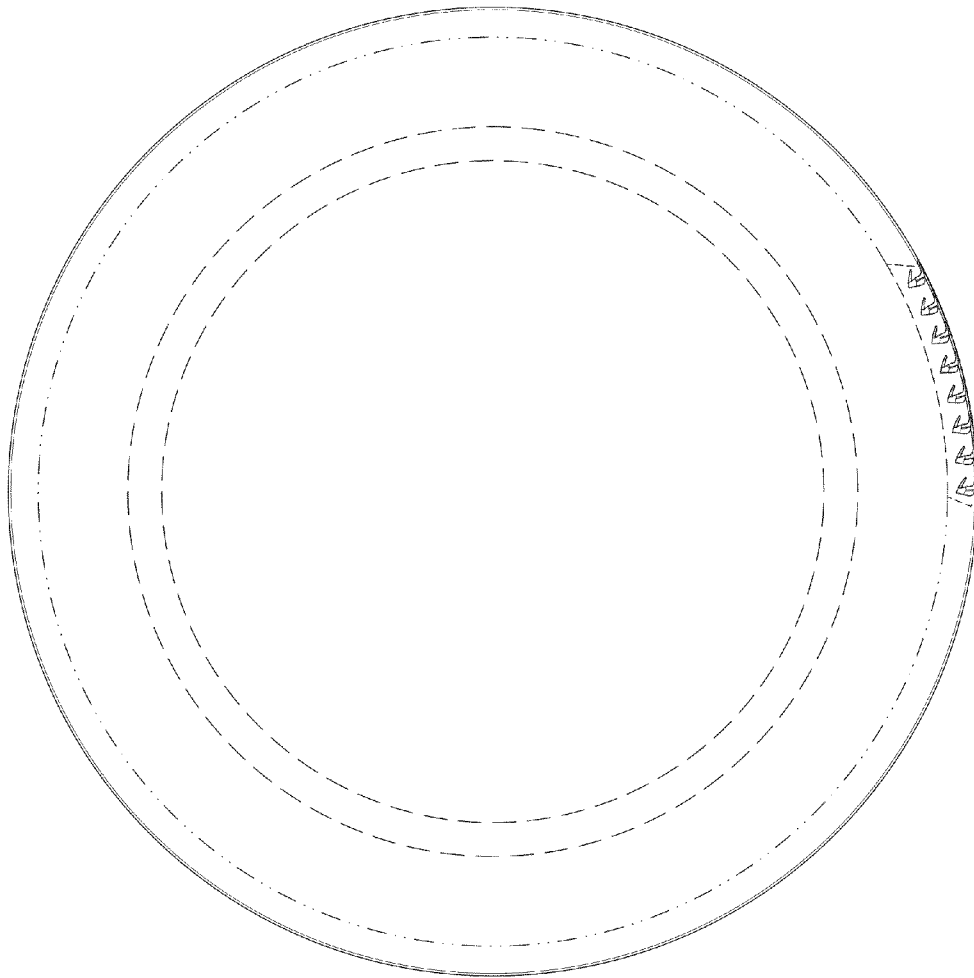


FIG. 3

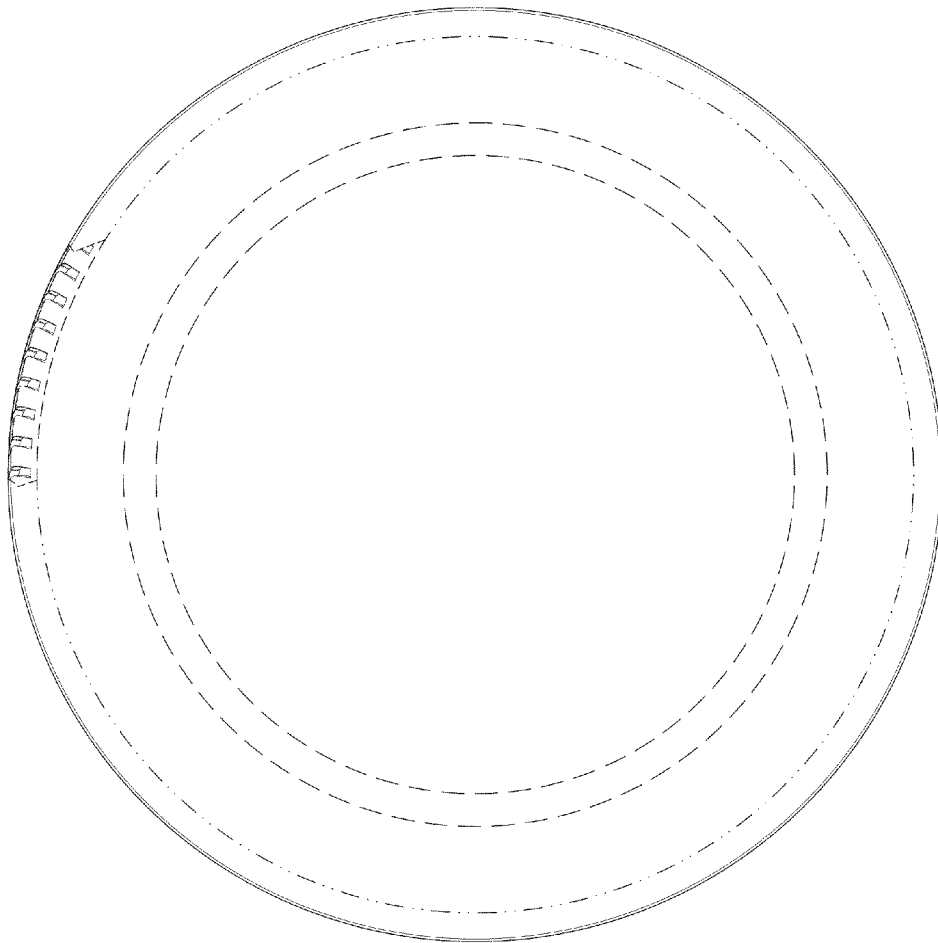


FIG. 4