



US00D953837S

(12) **United States Design Patent**  
**Scimone et al.**

(10) **Patent No.:** **US D953,837 S**

(45) **Date of Patent:** **\*\* Jun. 7, 2022**

(54) **SAFETY CUTTER**

(71) Applicant: **SLICE, INC.**, San Jose, CA (US)

(72) Inventors: **Thomas Scimone**, San Jose, CA (US);  
**Scot Herbst**, Santa Cruz, CA (US)

(73) Assignee: **Slice, Inc.**, Sunny Isles, FL (US)

(\*\*) Term: **15 Years**

(21) Appl. No.: **29/756,657**

(22) Filed: **Oct. 29, 2020**

(51) **LOC (13) Cl.** ..... **08-03**

(52) **U.S. Cl.**  
USPC ..... **D8/99**

(58) **Field of Classification Search**  
USPC ..... D8/14, 51, 98, 99, 100, 105; D22/118  
CPC .... B26B 1/00; B26B 1/08; B26B 1/10; B26B  
5/001; B26B 5/002; B26B 5/003; B26B  
5/005; B26B 5/006  
See application file for complete search history.

(56) **References Cited**

**U.S. PATENT DOCUMENTS**

2,486,900	A *	11/1949	Willis	.....	B26B 27/00
					30/2
2,578,896	A *	12/1951	Moore	.....	B26B 5/006
					30/321
2,610,399	A *	9/1952	Adams	.....	B43M 7/002
					30/286
4,281,458	A *	8/1981	Okada	.....	B26B 5/001
					30/162
D307,859	S *	5/1990	Morrisey	.....	D8/98
D337,930	S *	8/1993	Jones, Jr.	.....	D8/98
D424,397	S *	5/2000	Wiseman	.....	D8/98
D447,400	S *	9/2001	Okada	.....	D8/98
6,516,520	B1 *	2/2003	Liao	.....	B26B 1/08
					30/162
D481,608	S *	11/2003	DiPalma	.....	D8/98
7,185,435	B1 *	3/2007	Tseng	.....	B26B 5/001
					30/152

(Continued)

Primary Examiner — Philip S Hyder

(74) *Attorney, Agent, or Firm* — Ellenoff Grossman & Schole LLP; James M. Smedley; Alex Korona

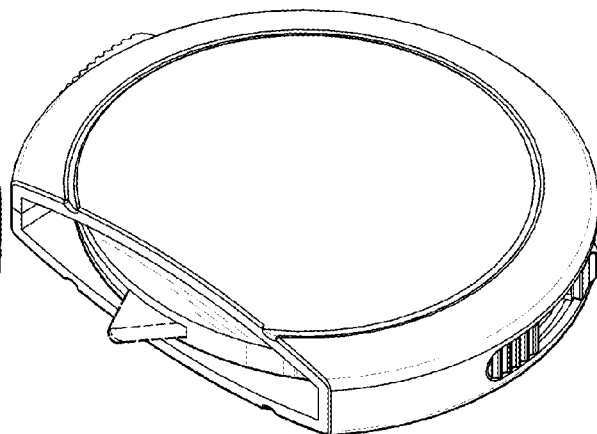
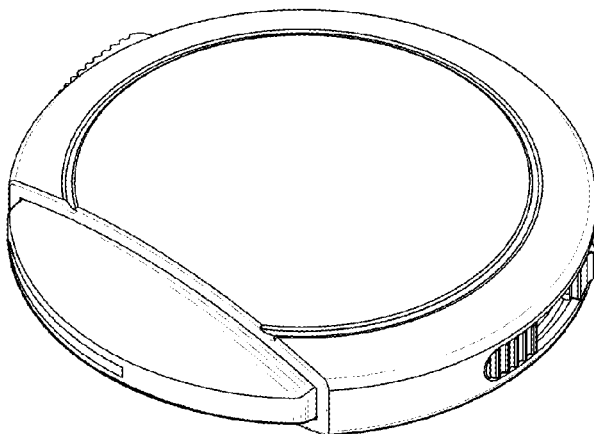
(57) **CLAIM**

We claim the ornamental design for a safety cutter, as shown and described.

**DESCRIPTION**

FIG. 1 is a top front perspective view showing the new design.  
 FIG. 2 is a top view showing the new design.  
 FIG. 3 is a bottom view showing the new design.  
 FIG. 4 is a front view showing the new design.  
 FIG. 5 is a rear view showing the new design.  
 FIG. 6 is a right side view showing the new design.  
 FIG. 7 is a left side view of the new design.  
 FIG. 8 is a top front perspective view of the new design with the blade guard retracted.  
 FIG. 9 is a top view showing the new design with the blade guard retracted.  
 FIG. 10 is a bottom view showing the new design with the blade guard retracted.  
 FIG. 11 is a front view showing the new design with the blade guard retracted.  
 FIG. 12 is a rear view showing the new design with the blade guard retracted.  
 FIG. 13 is a right side view showing the new design with the blade guard retracted; and,  
 FIG. 14 is a left side view of the new design with the blade guard retracted.  
 The shading lines shown in the drawings represent the approximate three-dimensional contour of the design, and are not intended to indicate surface decoration.  
 The broken lines depict portions of the safety cutter in which the design is embodied that are not considered part of the claimed design.

**1 Claim, 5 Drawing Sheets**



(56)

**References Cited**

U.S. PATENT DOCUMENTS

7,188,424	B2 *	3/2007	Webster	.....	B26B 25/005	
						30/164.95
D762,437	S *	8/2016	Lipscomb	.....	D8/98	
9,579,808	B2 *	2/2017	Scimone	.....	B26B 5/003	
10,279,491	B2 *	5/2019	Scimone	.....	B26B 1/00	
2014/0173912	A1 *	6/2014	Scimone	.....	B26B 1/00	
						30/162
2016/0288345	A1 *	10/2016	Alagno	.....	B26B 9/00	

\* cited by examiner

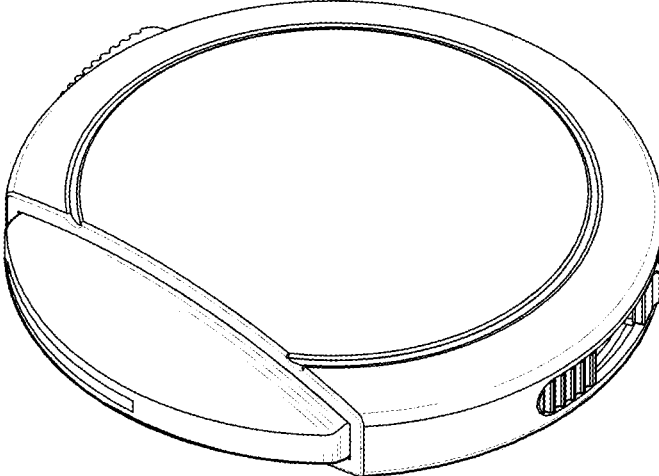


FIG. 1

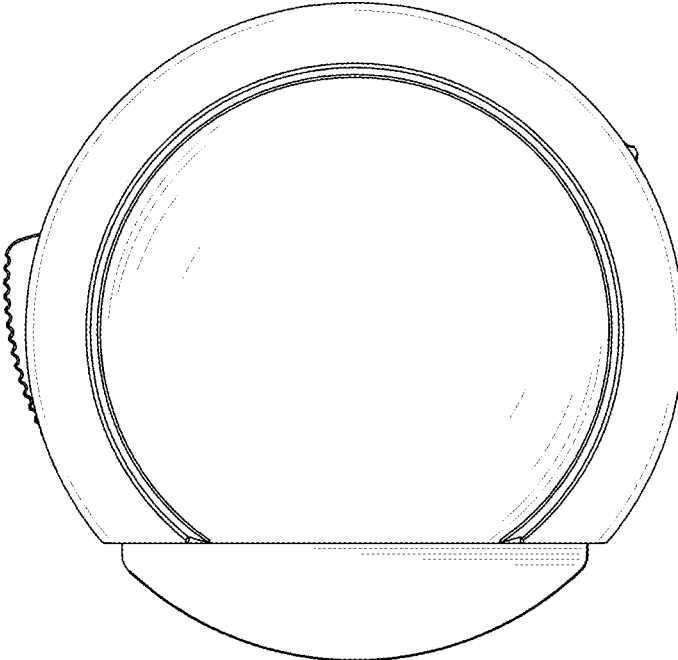


FIG. 2

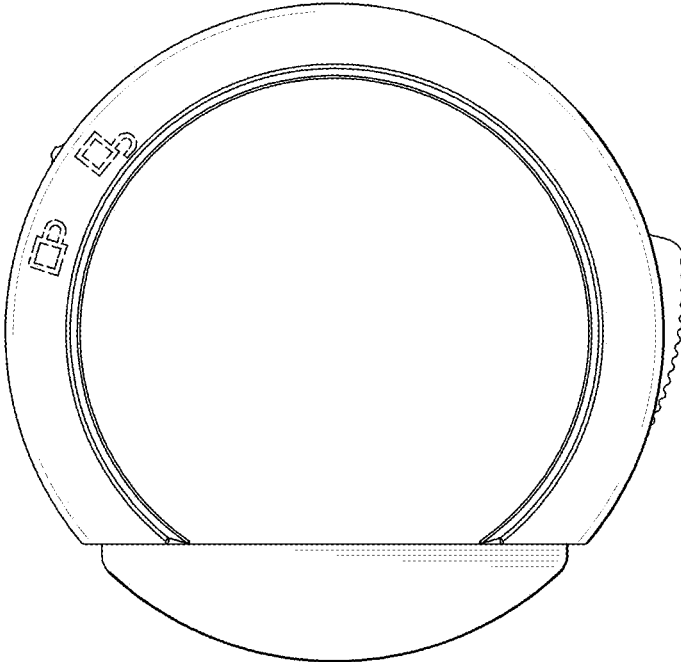


FIG. 3

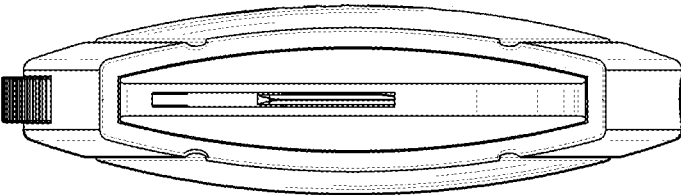


FIG. 4

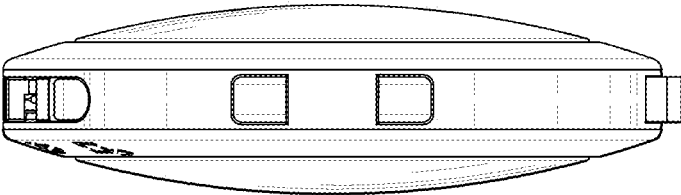


FIG. 5

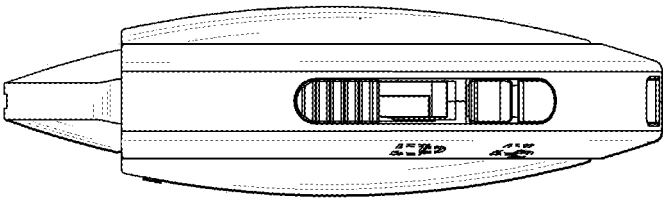


FIG. 6

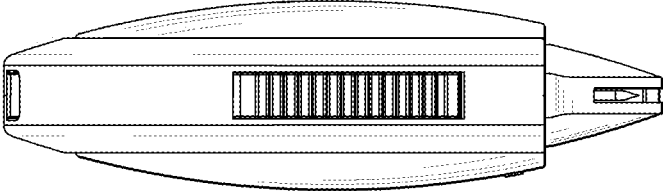


FIG. 7

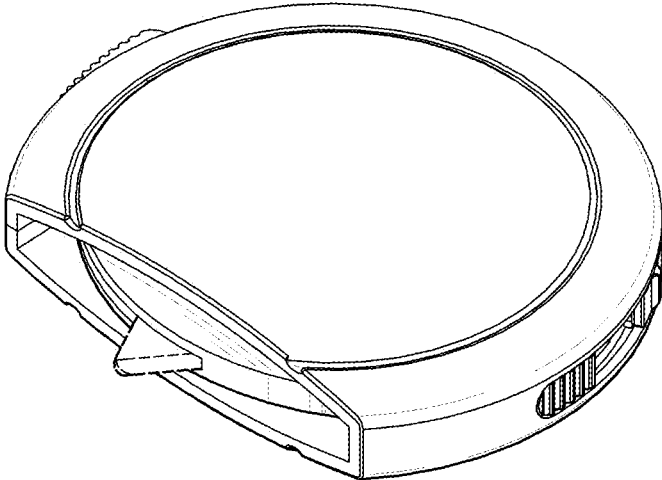
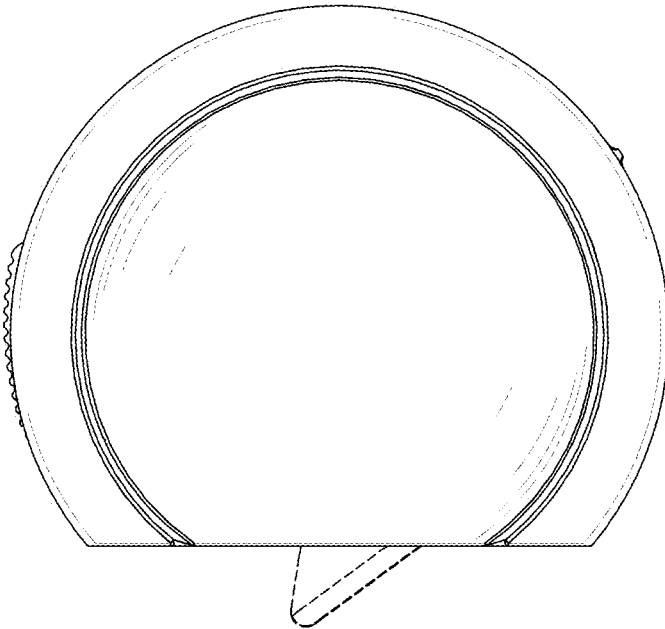
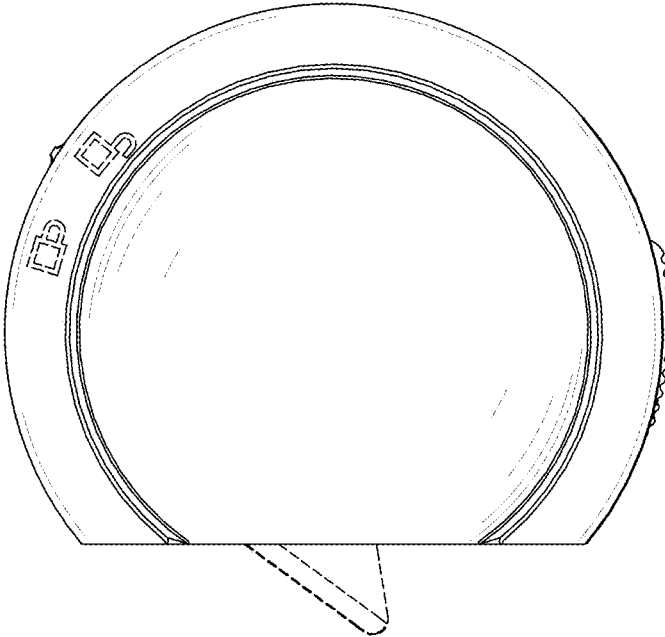


FIG. 8



**FIG. 9**



**FIG. 10**

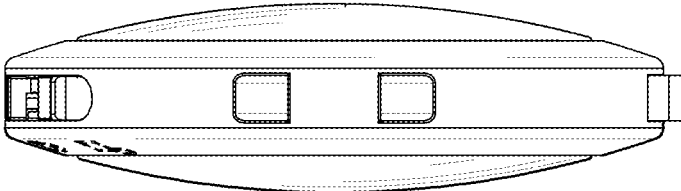


FIG. 11

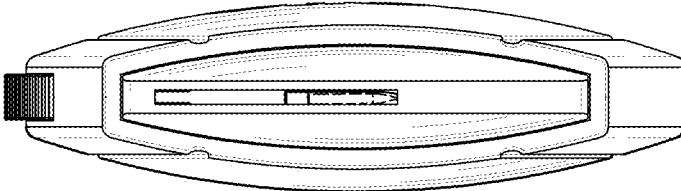


FIG. 12

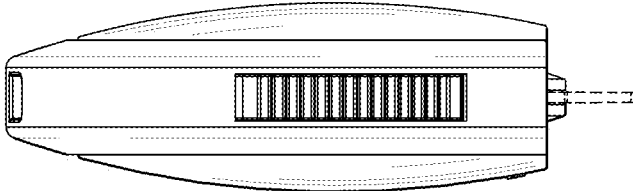


FIG. 13

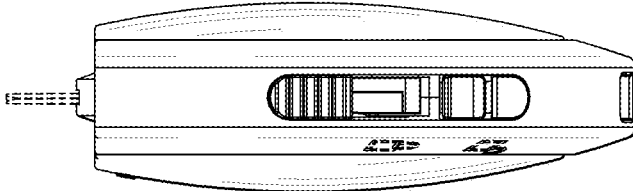


FIG. 14