



US00D883041S

(12) **United States Design Patent**  
**Park et al.**

(10) **Patent No.:** **US D883,041 S**

(45) **Date of Patent:** **\*\* May 5, 2020**

(54) **BOTTLE**

*Primary Examiner* — Terry A Wallace

(74) *Attorney, Agent, or Firm* — Polsinelli PC

(71) Applicants: **Jennifer Bae Park**, Chicago, IL (US);  
**Marvin Lane**, Wheeling, IL (US);  
**Dwayne Boroski**, Lake in the Hills, IL (US)

(57) **CLAIM**

The ornamental design for a bottle, as shown and described.

(72) Inventors: **Jennifer Bae Park**, Chicago, IL (US);  
**Marvin Lane**, Wheeling, IL (US);  
**Dwayne Boroski**, Lake in the Hills, IL (US)

**DESCRIPTION**

(73) Assignee: **Thermos L.L.C.**, Schaumburg, IL (US)

(\*\*) Term: **15 Years**

FIG. 1 is a perspective view of a first embodiment of the bottle;  
FIG. 2 is a front view of the first embodiment of the bottle;  
FIG. 3 is a rear view of the first embodiment of the bottle;  
FIG. 4 is a left side view of the first embodiment of the bottle;  
FIG. 5 is a right side view of the first embodiment of the bottle;  
FIG. 6 is an enlarged top view of the first embodiment of the bottle;  
FIG. 7 is a bottom view of the first embodiment of the bottle;  
FIG. 8 is a perspective view of a second embodiment of the bottle;  
FIG. 9 is a front view of the second embodiment of the bottle;  
FIG. 10 is a rear view of the second embodiment of the bottle;  
FIG. 11 is a left side view of the second embodiment of the bottle;  
FIG. 12 is a right side view of the second embodiment of the bottle;  
FIG. 13 is an enlarged top view of the second embodiment of the bottle; and,  
FIG. 14 is a bottom view of the second embodiment of the bottle.

(21) Appl. No.: **29/656,595**

(22) Filed: **Jul. 13, 2018**

(51) **LOC (12) Cl.** ..... **07-01**

(52) **U.S. Cl.**  
USPC ..... **D7/608**

(58) **Field of Classification Search**

USPC ..... D7/605–608, 509, 510, 511;  
D9/500–505, 443, 516, 532, 522, 558,  
D9/772, 763, 773, 779

CPC ..... A47G 19/2205; A47G 2019/2294; A47G  
19/23; A47G 19/2272; A47J 41/02; A47J  
41/022; A47J 41/024; A47J 41/026; A47J  
41/028; A47J 41/00; A47J 41/0077; A47J  
41/0083; B65D 81/3823; B65D 81/3818;  
B65D 881/3846; B65D 81/3881; B65D

(Continued)

The broken lines showing in the figures are included for the purpose of illustrating portions of the bottle that form no part of the claimed design. The dash-dot lines showing in the figures are included for defining the bounds of the claimed design that form no part thereof.

(56) **References Cited**

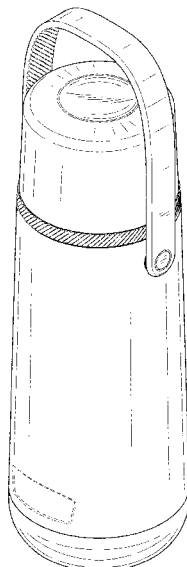
**U.S. PATENT DOCUMENTS**

2,963,187 A \* 12/1960 Bramming ..... A47J 41/02  
215/12.1

D321,628 S \* 11/1991 Kobayashi ..... D7/608

(Continued)

**1 Claim, 12 Drawing Sheets**



(58) **Field of Classification Search**

CPC ..... 81/3886; B65D 81/3837; B65D 81/3876;  
B65D 81/3879; B65D 81/3883; B65D  
17/4012; B65D 47/286; A45C 11/20  
See application file for complete search history.

(56) **References Cited**

U.S. PATENT DOCUMENTS

5,680,944 A \* 10/1997 Rueter ..... B65D 81/3897  
215/13.1  
6,119,888 A \* 9/2000 Goto ..... A47J 41/0083  
215/13.1  
6,332,557 B1 \* 12/2001 Moran ..... A47J 41/0083  
215/12.1  
D625,560 S \* 10/2010 Olson ..... D7/300.1  
D635,457 S \* 4/2011 Lane ..... D7/511  
D668,913 S \* 10/2012 Mayer ..... D7/510  
D708,954 S \* 7/2014 Barnes ..... D7/511  
D724,385 S \* 3/2015 Hurley ..... D7/511  
2011/0186585 A1 \* 8/2011 Lu ..... A47J 41/00  
220/575

\* cited by examiner

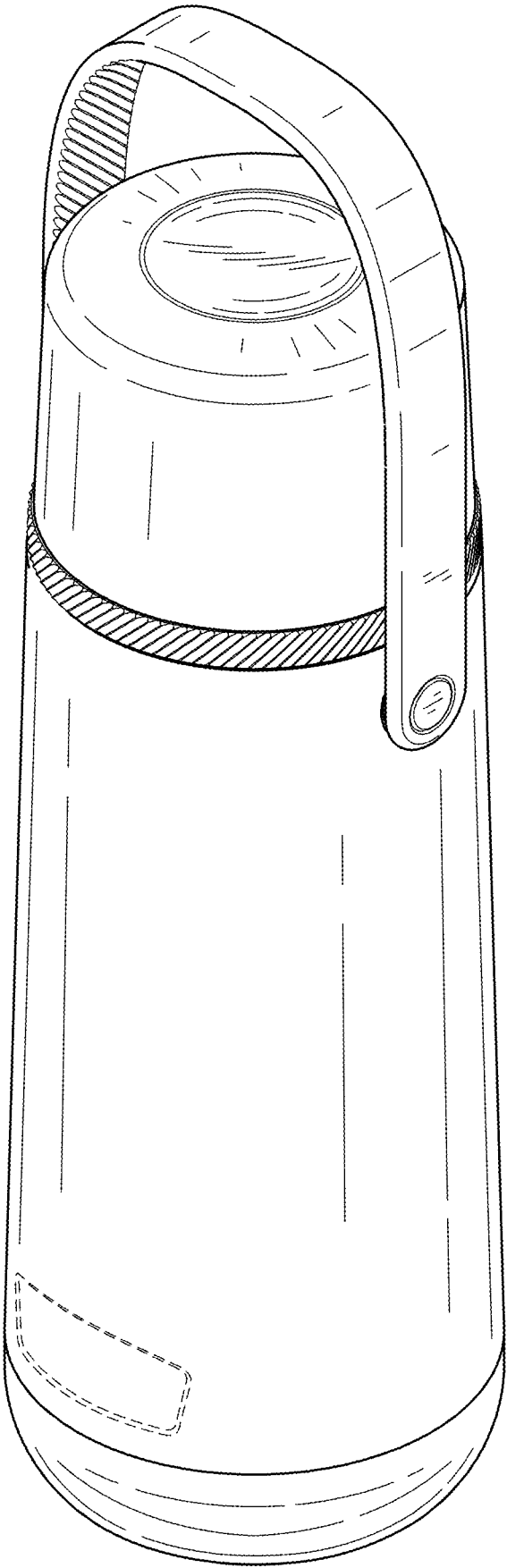


FIG. 1

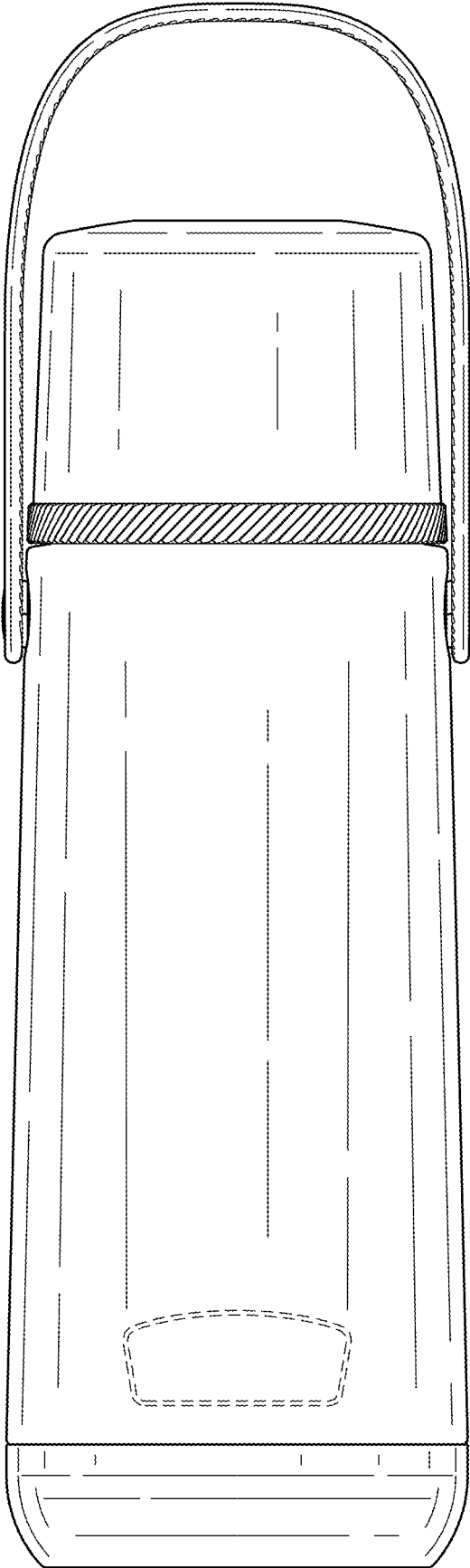


FIG. 2

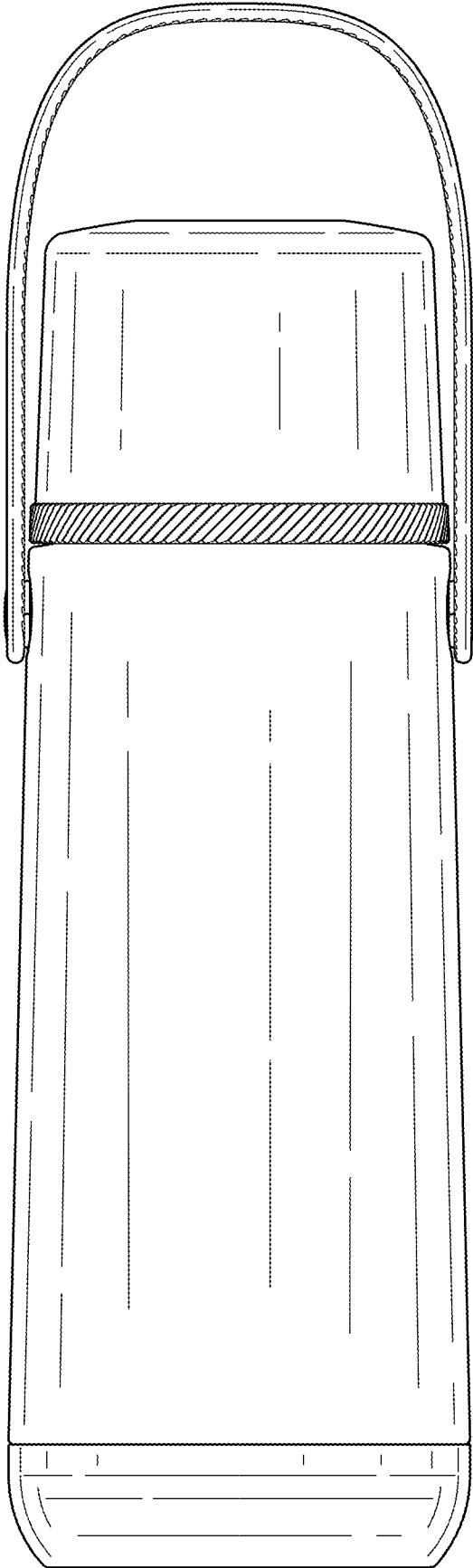


FIG. 3

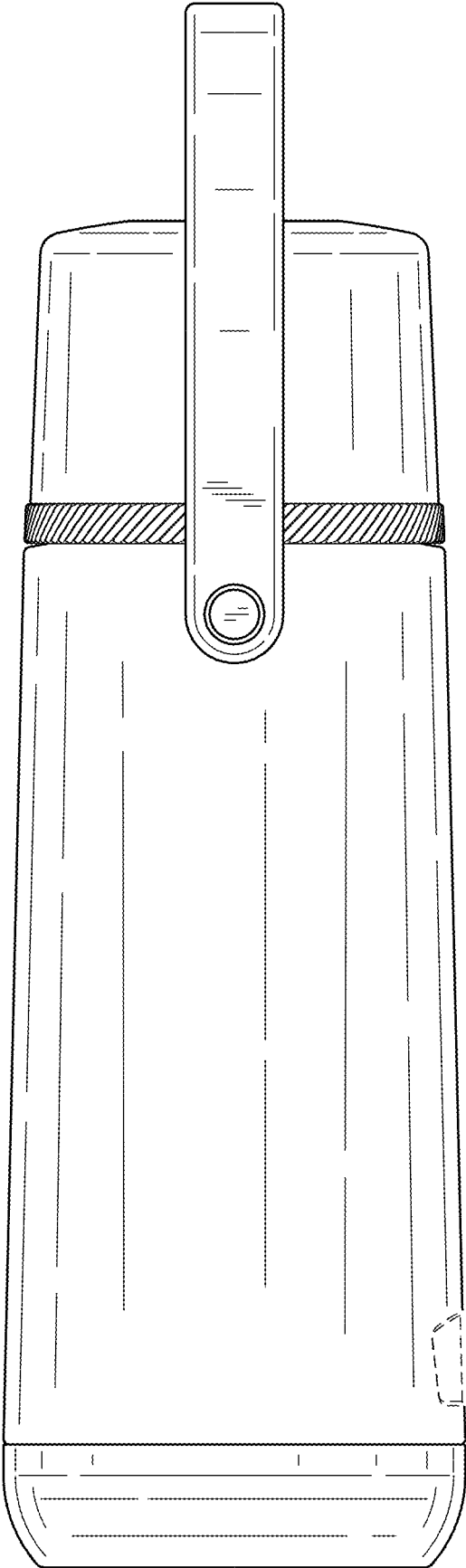


FIG. 4

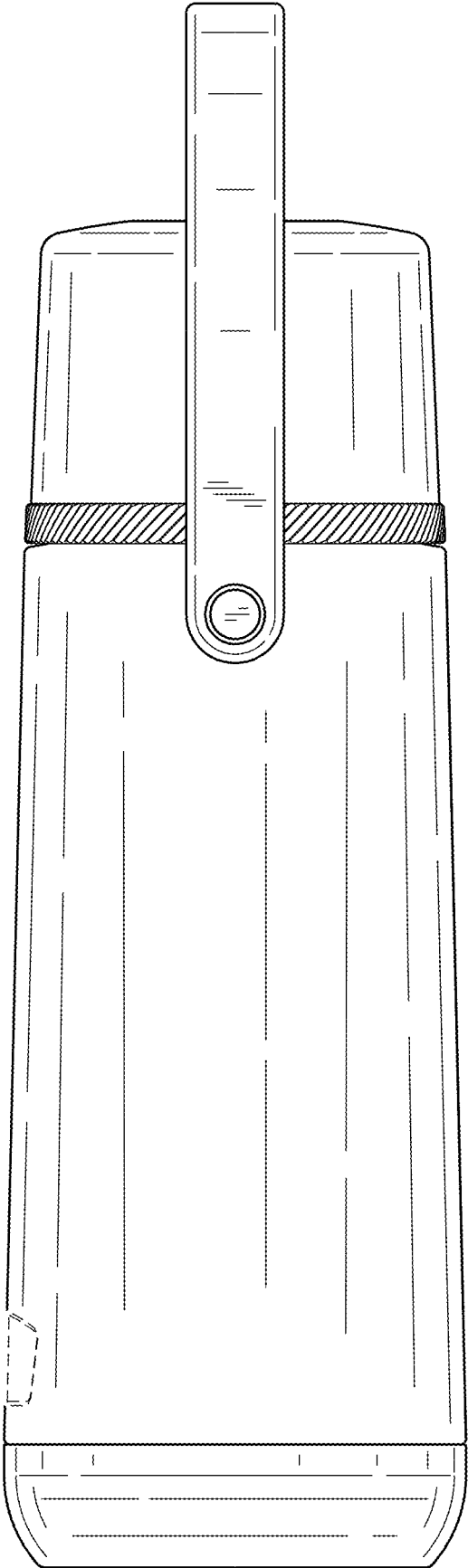


FIG. 5

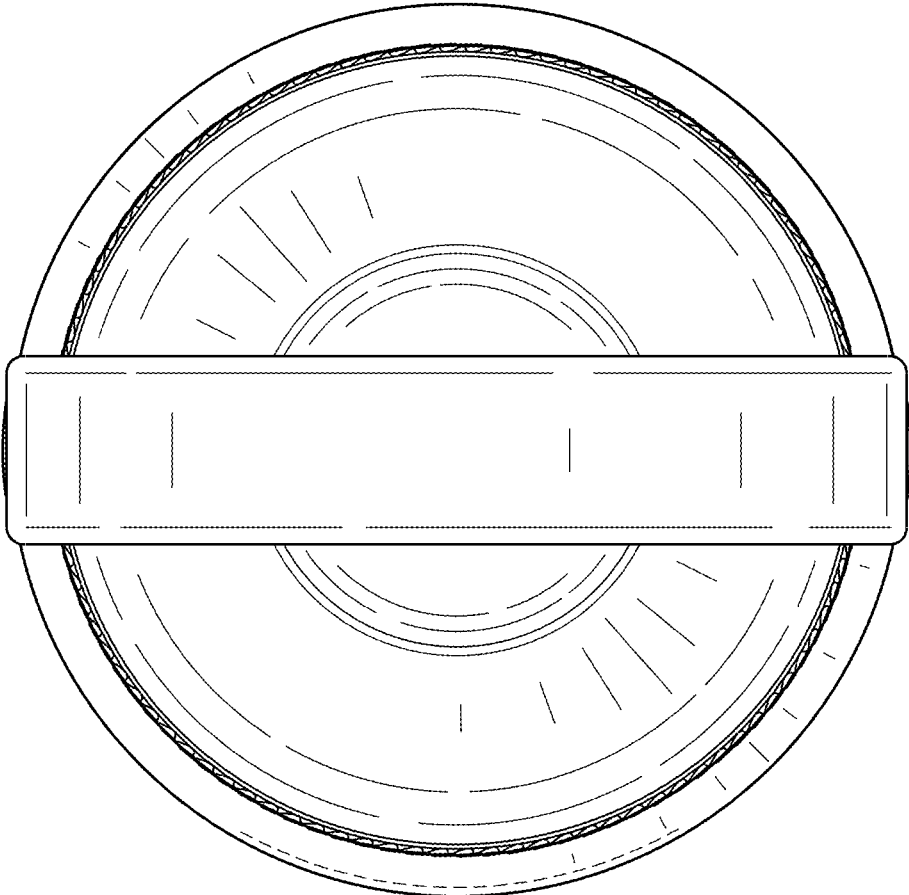


FIG. 6

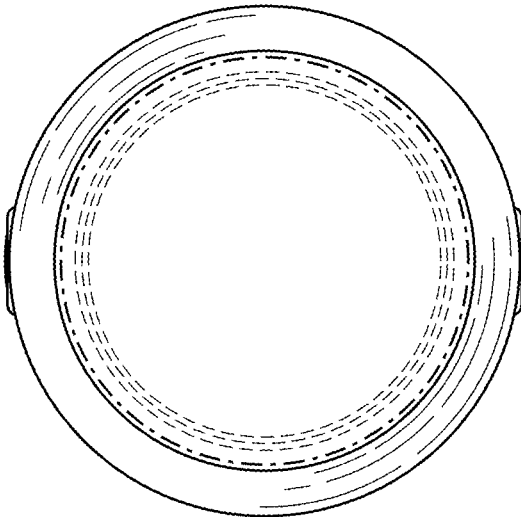


FIG. 7



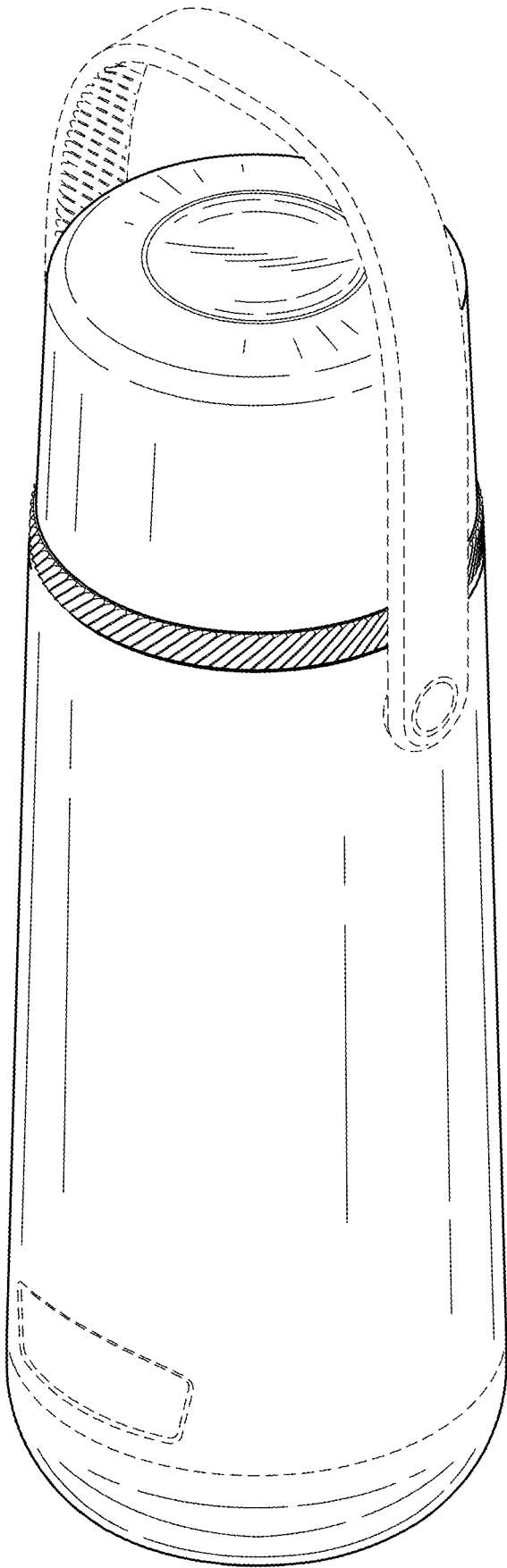


FIG. 8

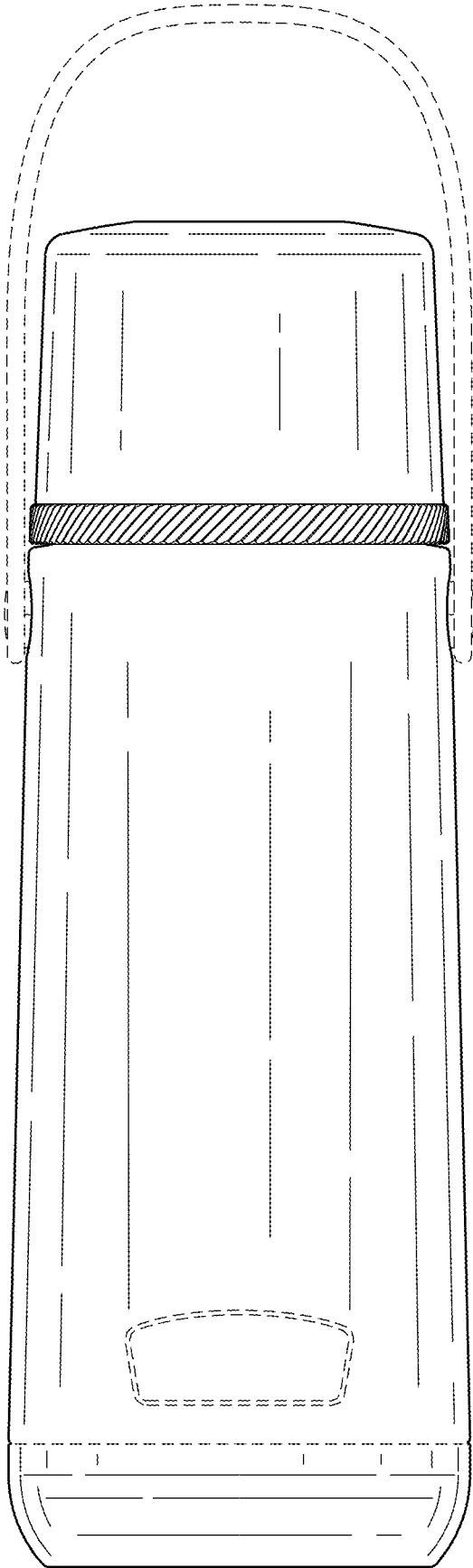


FIG. 9

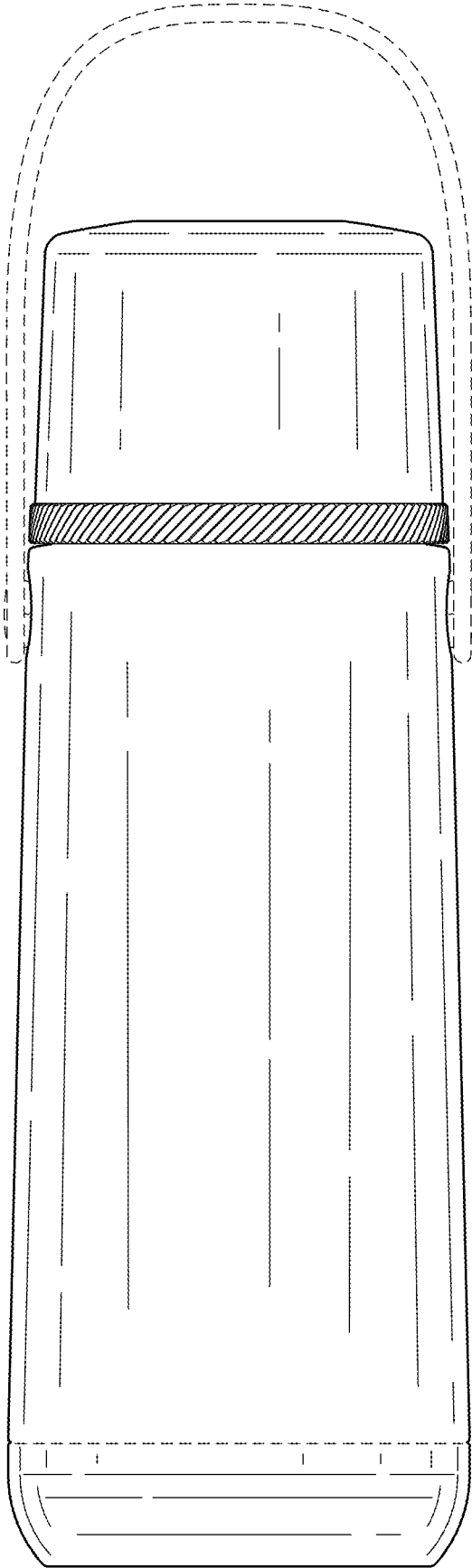


FIG. 10

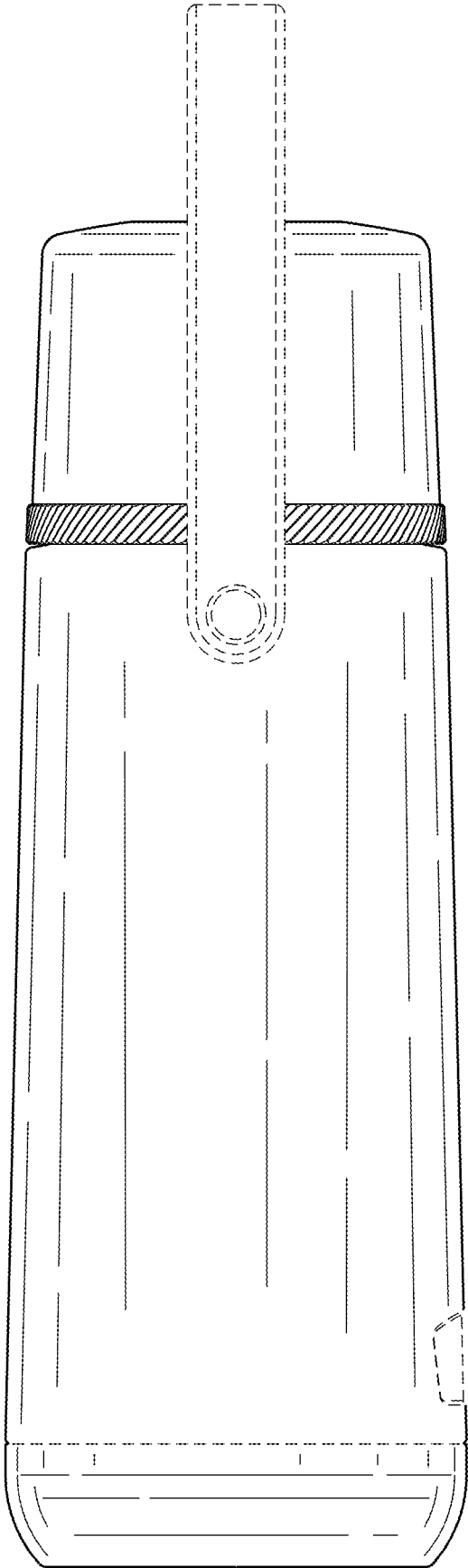


FIG. 11

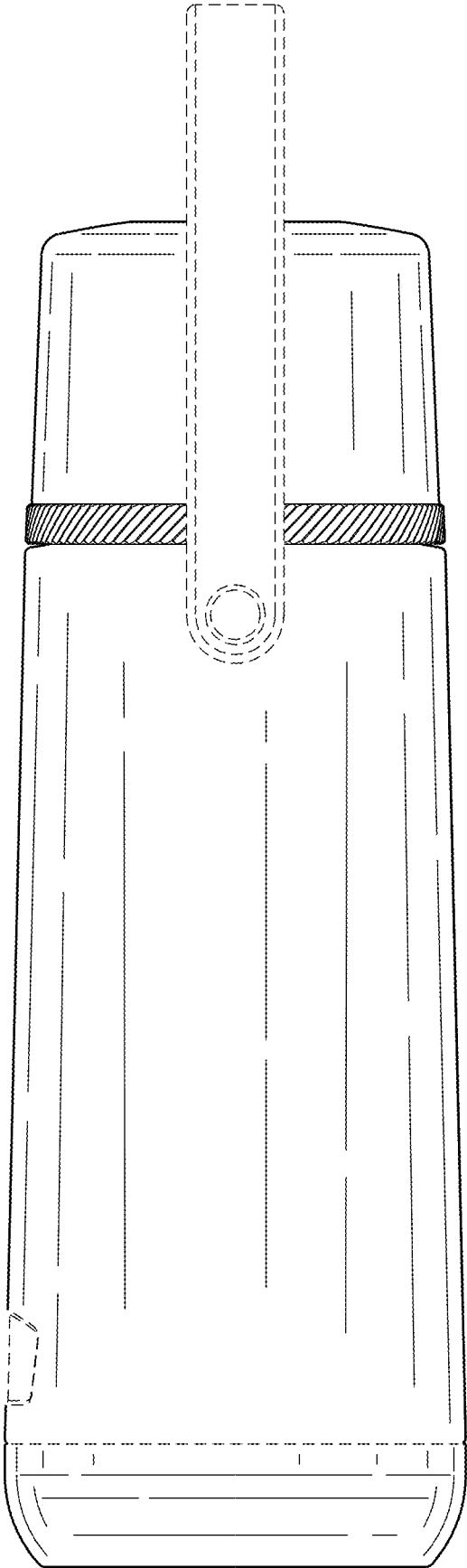


FIG. 12

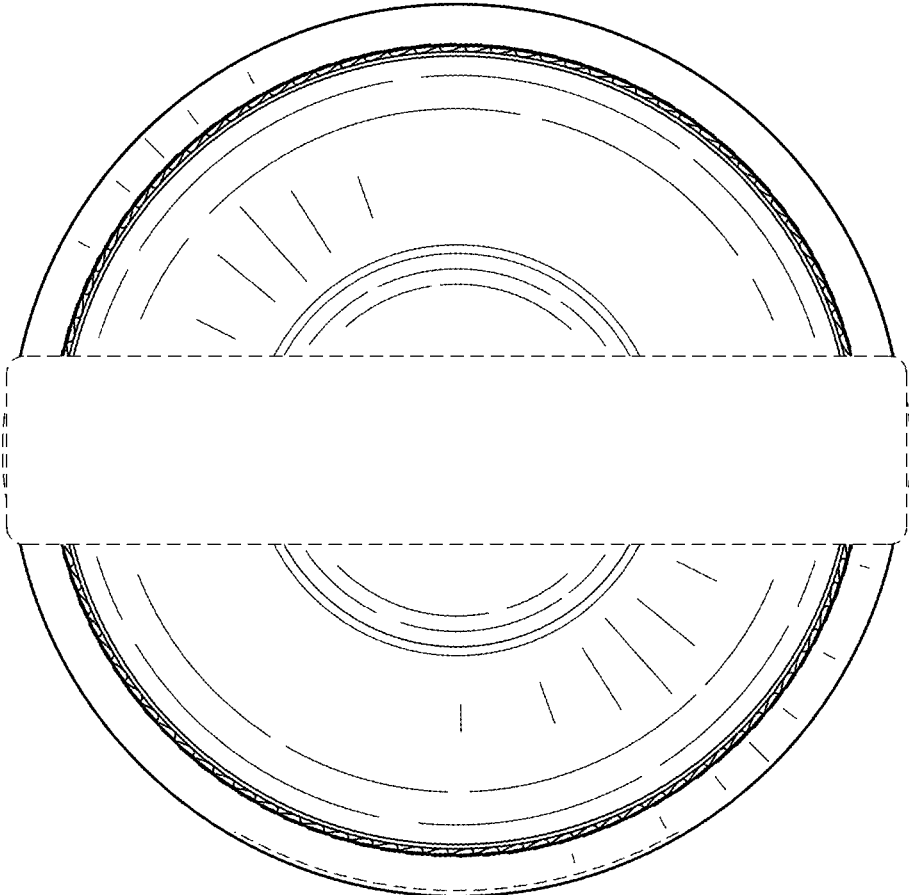


FIG. 13

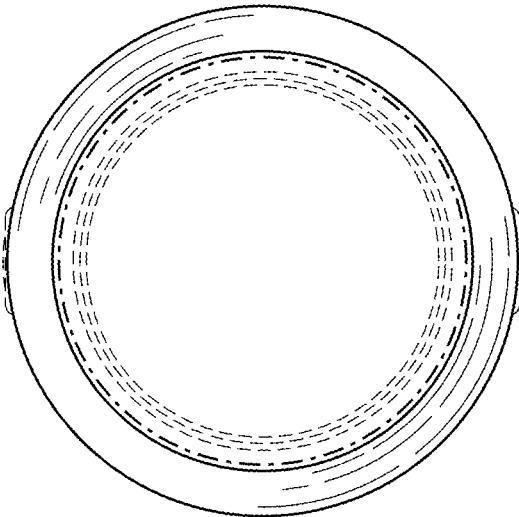


FIG. 14