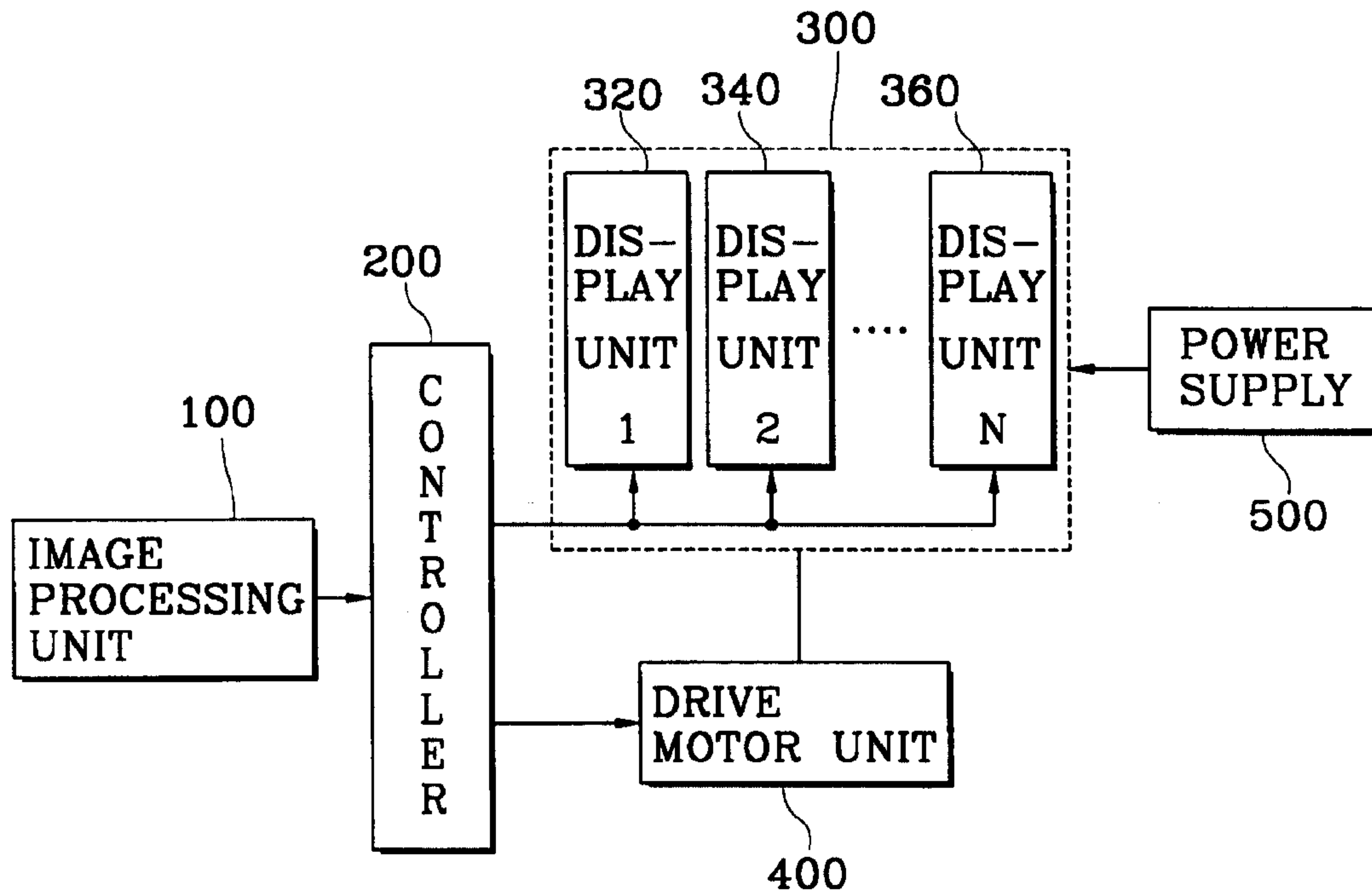




(86) Date de dépôt PCT/PCT Filing Date: 1999/01/06  
 (87) Date publication PCT/PCT Publication Date: 1999/07/15  
 (45) Date de délivrance/Issue Date: 2004/04/06  
 (85) Entrée phase nationale/National Entry: 2000/08/29  
 (86) N° demande PCT/PCT Application No.: KR 1999/000023  
 (87) N° publication PCT/PCT Publication No.: 1999/035634  
 (30) Priorité/Priority: 1998/01/06 (1998/76) KR

(51) Cl.Int.<sup>6</sup>/Int.Cl.<sup>6</sup> G09G 3/00, G09F 13/30, G09F 19/12  
 (72) Inventeur/Inventor:  
 JANG, JI HO, KR  
 (73) Propriétaire/Owner:  
 JANG, JI HO, KR  
 (74) Agent: KIRBY EADES GALE BAKER

(54) Titre : DISPOSITIF POUR AFFICHER DES IMAGES AVEC ELEMENTS D'AFFICHAGES ROTATIFS  
 (54) Title: DEVICE FOR DISPLAYING IMAGES WITH ROTATING DISPLAY ELEMENTS



(57) **Abrégé/Abstract:**

A device and method of displaying images using an afterimage caused by an optical illusion is disclosed. In the device, a controller (200) processes image data output from an image processing unit (100), thus generating an image display control signal and a motor control signal. A drive motor unit (400) rotates a rotary display assembly (300) at a speed in response to the motor control signal. A plurality of display units (320, 340, 360), individually designated to emit light beams at multi-angles, are orderly mounted on the rotary display assembly (300). The display assembly (300) is rotated at a speed by the drive motor unit (400) in response to the motor control signal while displaying images on the display units (320, 340, 360) at multi-angles in response to the image display control signal, thus forming desired images due to the afterimage caused by an optical illusion.

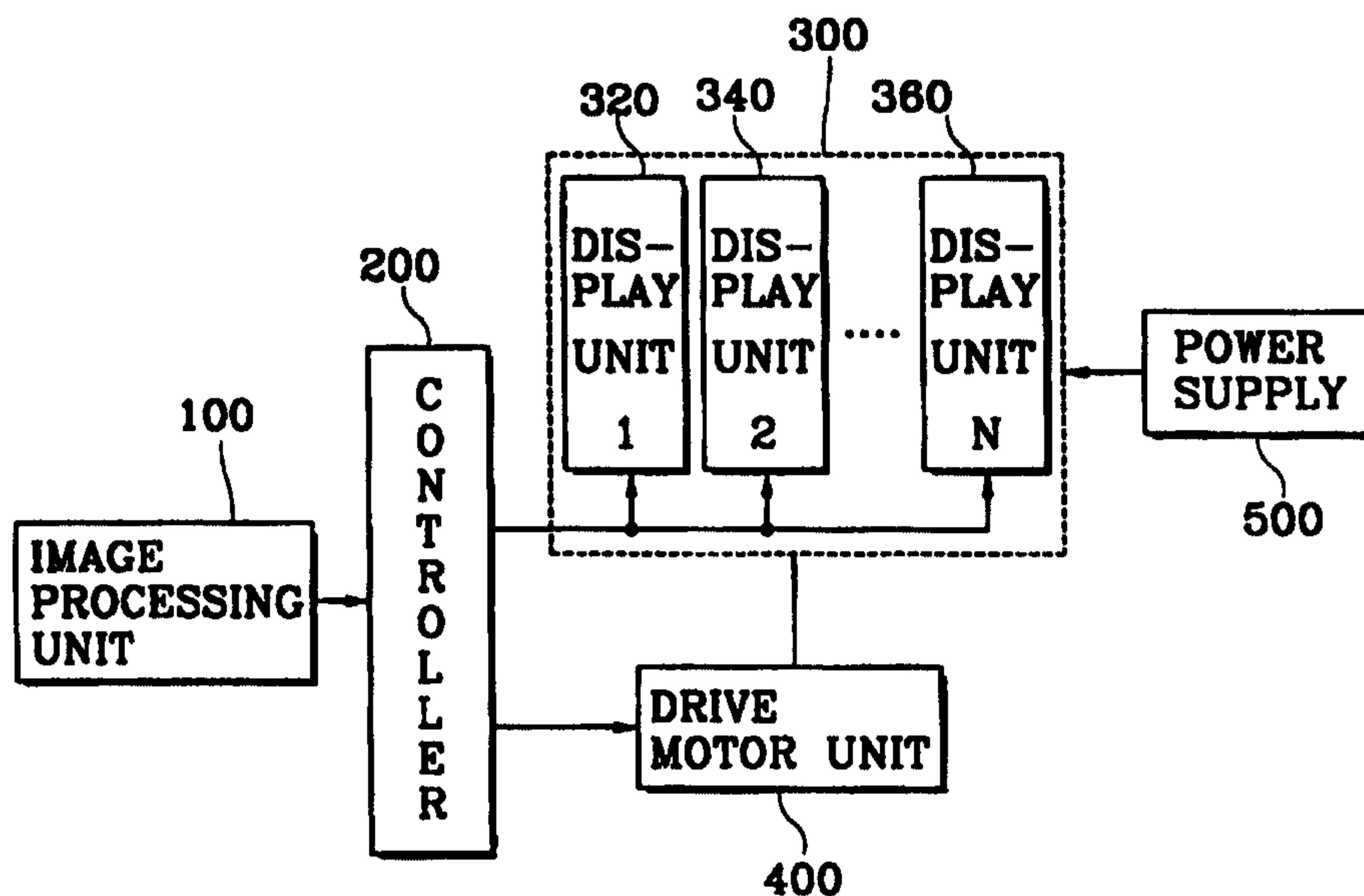
PCT

WORLD INTELLECTUAL PROPERTY ORGANIZATION  
International Bureau

## INTERNATIONAL APPLICATION PUBLISHED UNDER THE PATENT COOPERATION TREATY (PCT)

(51) International Patent Classification <sup>6</sup> : G09G 3/00, G09F 13/30, 19/12	A1	(11) International Publication Number: <b>WO 99/35634</b> (43) International Publication Date: 15 July 1999 (15.07.99)
<p>(21) International Application Number: PCT/KR99/00023</p> <p>(22) International Filing Date: 6 January 1999 (06.01.99)</p> <p>(30) Priority Data: 1998/76                      6 January 1998 (06.01.98)                      KR</p> <p>(71)(72) Applicant and Inventor: JANG, Ji, Ho [KR/KR]; 26/8, 124-36 Namgajwa 1-dong, Seodaemun-gu, Seoul 120-121 (KR).</p>	<p>(81) Designated States: AL, AM, AT, AU, AZ, BA, BB, BG, BR, BY, CA, CH, CN, CU, CZ, DE, DK, EE, ES, FI, GB, GE, GH, GM, HR, HU, ID, IL, IS, JP, KE, KG, KP, KR, KZ, LC, LK, LR, LS, LT, LU, LV, MD, MG, MK, MN, MW, MX, NO, NZ, PL, PT, RO, RU, SD, SE, SG, SI, SK, SL, TJ, TM, TR, TT, UA, UG, US, UZ, VN, YU, ZW, ARIPO patent (GH, GM, KE, LS, MW, SD, SZ, UG, ZW), Eurasian patent (AM, AZ, BY, KG, KZ, MD, RU, TJ, TM), European patent (AT, BE, CH, CY, DE, DK, ES, FI, FR, GB, GR, IE, IT, LU, MC, NL, PT, SE), OAPI patent (BF, BJ, CF, CG, CI, CM, GA, GN, GW, ML, MR, NE, SN, TD, TG).</p> <p><b>Published</b> <i>With international search report. Before the expiration of the time limit for amending the claims and to be republished in the event of the receipt of amendments.</i></p>	

(54) Title: DEVICE AND METHOD OF DISPLAYING IMAGES



(57) Abstract

A device and method of displaying images using an afterimage caused by an optical illusion is disclosed. In the device, a controller (200) processes image data output from an image processing unit (100), thus generating an image display control signal and a motor control signal. A drive motor unit (400) rotates a rotary display assembly (300) at a speed in response to the motor control signal. A plurality of display units (320, 340, 360), individually designated to emit light beams at multi-angles, are orderly mounted on the rotary display assembly (300). The display assembly (300) is rotated at a speed by the drive motor unit (400) in response to the motor control signal while displaying images on the display units (320, 340, 360) at multi-angles in response to the image display control signal, thus forming desired images due to the afterimage caused by an optical illusion.

DEVICE FOR DISPLAYING IMAGES  
WITH ROTATING DISPLAY ELEMENTS

Technical Field

5

The present invention relates, in general, to a device and method of displaying images and, more particularly, to a device and method of displaying images due to an afterimage caused by an optical illusion formed by rotating a rotary display assembly, comprising a plurality of display units capable of individually emitting light beams at multi-angles, at a high speed.

Background Art

15

Several techniques for displaying images on a screen have been well known to those skilled in the art. For example, in the case of television receivers, a plurality of electron beams are scanned from an electron gun onto a screen, thus activating pixels on the screen so as to form a desired picture thereon. Second, it is also possible to form a desired picture on a screen by projecting a film, having a developed image, on the screen. That is, a film, with a developed image, is projected by a projector onto a screen, thus forming a desired picture on said screen. Third, a plurality of LEDs (light emit diodes), constituting an LED display board, may be used for displaying images. That is, the LEDs of a display board are selectively turned on or off under the control of a controller, thus forming a desired picture on the board.

30

However, the above-mentioned typical techniques for displaying images using television receivers, projectors or LED display boards are problematic in that the images are merely visible by viewers positioned within a fixedly directed and limited area. Therefore, a person, placed on

35

an area out of the fixedly directed and limited area, has a difficulty while seeing the image. In addition, the above techniques fail to allow a person, placed in the back of the screen, to see the pictures on the screen. Particularly,  
5 the known LED display boards, individually comprising a plurality of LEDs, are so large in their sizes and volumes, so that use of the LED display boards is undesirably limited to outdoor sign boards.

10 Disclosure of the Invention

Accordingly, the present invention has been made keeping in mind the above problems occurring in the prior art, and an object of the present invention is to provide a  
15 device for displaying images due to an afterimage caused by an optical illusion formed by rotating a rotary display assembly, comprising a plurality of display units capable of individually emitting light beams at multi-angles, at a high speed.

20 In order to accomplish the above object, the present invention provides a device for displaying images, comprising: a controller selectively processing image data output from an image processing unit so as to generate an image display control signal, said controller also  
25 generating a motor control signal; a drive motor unit selectively rotated at a speed in response to the motor control signal output from said controller; and a rotary display assembly comprising a plurality of image display units capable of individually emitting light beams at multi-  
30 angles, said assembly being rotatable at a speed by said drive motor unit and selectively displaying images on said display units in response to the image display control signal output from the controller, said display units of the

rotary display assembly being arranged on the assembly so as to display images inside the assembly, the image being an afterimage caused by an optical illusion formed by the rotating rotary display assembly.

5

#### Brief Description of the Drawings

The above and other objects, features and other advantages of the present invention will be more clearly understood from the following detailed description taken in conjunction with the accompanying drawings, in which:

Fig. 1 is a block diagram, showing the construction of an image display device in accordance with the preferred embodiment of the present invention;

15 Figs. 2 to 4 are views, respectively showing the construction of rotary display assemblies in accordance with different embodiments of the present invention;

Fig. 5 is a perspective view, showing an arrangement of display elements on each display unit of a rotary display assembly in accordance with the primary embodiment of this invention;

Fig. 6 is a cross-sectional view of the display unit of Fig. 5;

25 Figs. 7, 8a, 8b and 8c are cross-sectional views of display units in accordance with the second, third, fourth and fifth embodiments of the present invention, respectively;

Figs. 9a to 9d are views, illustrating a method of accomplishing a high horizontal resolution of the image display device of this invention;

30

Fig. 10 is a view, illustrating a method of

-4-

accomplishing a high vertical resolution of the image display device of this invention; and

Figs. 11a to 11e are views, illustrating the horizontal resolving power of the image display device  
5 of this invention.

#### Best Mode for Carrying Out the Invention

Fig. 1 is a block diagram, showing the construction of an image display device in accordance with the preferred embodiment of this invention. As shown in the  
10 drawing, the device of this invention comprises an image processing unit 100, a controller 200, a rotary display assembly 300, a drive motor unit 400, and a power supply 500.

In the above display device, the image processing  
15 unit 100 may reproduce image data from an image storage medium, such as a compact disk, a video cassette tape or a hard disk, prior to transmitting the image data to the controller 200. The above processing unit 100 also may receive public waves, output from a broadcasting station,  
20 prior to transmitting image data of the public waves to the controller 200.

Upon receiving image data from the image processing unit 100, the controller 200 selectively processes the image data prior to generating an image display control  
25 signal. The above control signal is applied to the rotary display assembly 300 so as to allow said assembly 300 to display desired images. The controller 200 also generates a motor control signal. The motor control signal is applied to the drive motor unit 400 so as to  
30 rotate the display assembly 300 at a speed, at which the assembly 300 is rotated with about thirty display units 320, 340 and 360 passing a position in front of a viewer.

The rotary display assembly 300, comprising a  
35 plurality of display units 320, 340 and 360, displays

-5-

desired images on the display units 320, 340 and 360 in response to the image display control signal output from the controller 200. The drive motor unit 400 rotates the display assembly 300 at a speed in response to the  
5 motor control signal output from the controller 200. The power supply 500 is used for supplying an electric power to each of the display units 320, 340 and 360 of the assembly 300.

That is, the rotary display assembly 300 is rotated  
10 at a speed by the drive motor unit 400 under the control of the controller 200 while displaying images in response to an image display control signal output from the controller 200. In the present invention, the above assembly 300 may have a circular cross-section as  
15 shown in Fig. 2. Alternatively, the rotary display assembly 300 may have a longitudinal oval cross-section as shown in Fig. 3. As a further alternative, the display assembly 300 may have a polygonal cross-section as shown in Fig. 4.

In the primary embodiment of this invention, each  
20 of the display units 320, 340 and 360 of the assembly 300 comprises a plurality of display elements 326 which are regularly arranged along a plurality of parallel and vertical rows on a flat mount panel 322, thus forming a  
25 display element matrix as shown in Figs. 5 and 6. The rows of display elements 326 are separated from each other by a plurality of partition walls 324. That is, the rows of display elements 326 and the partition walls 324 are alternately arranged on one surface of the flat  
30 mount panel 322. The alternately arranged display elements 326 and partition walls 324 are regularly and symmetrically inclined relative to the mount panel 322 at multi-angles of inclination, thus being directed in diverged radial directions. The display elements 326 of  
35 each display unit 320, 340, 360 thus emit light beams at multi-angles.

Fig. 7 shows an arrangement of display elements 326

-6-

on each display unit 320, 340, 360 in accordance with the second embodiment of this invention. In the second embodiment, a plurality of display elements 326 are regularly arranged on one surface of a flat mount panel 322, thus forming a display element matrix. In such a case, the display elements 326 emit light beams in normal directions. One polarizing plate 328 is placed on the display elements 326, thus covering the display elements 326 and polarizing the light beams output from the elements 326. A plurality of partition walls 324 are regularly and symmetrically arranged on the polarizing plate 328 while being inclined relative to the polarizing plate 328 at multi-angles of inclination, thus being directed in diverged radial directions. Therefore, each display unit 320, 340, 360 according to the second embodiment emits light beams at multi-angles.

Fig. 8a shows an arrangement of display elements 326 on each display unit 320, 340, 360 in accordance with the third embodiment of this invention. In the third embodiment, one surface of the mount panel 322 is concaved from the top to the bottom so as to form an arc-shaped surface. A plurality of display elements 326 are regularly arranged along a plurality of parallel and vertical rows on the arc-shaped surface of the panel 322, thus forming a display element matrix. The rows of display elements 326 are separated from each other by a plurality of partition walls 324. That is, the rows of display elements 326 and the partition walls 324 are alternately arranged on the arc-shaped surface of the panel 322. The alternately arranged display elements 326 and partition walls 324 are regularly and symmetrically directed in converged radial directions, so that each display unit 320, 340, 360 emits light beams at multi-angles. Such an arrangement of display elements 326 according to the third embodiment preferably reduces the width of each display unit 320, 340, 360, thus allowing the rotary display assembly 300 to be more

-7-

precisely manufactured. Another advantage of the above arrangement resides in that it preferably accomplishes an image displaying angle larger than  $180^\circ$ .

Fig. 8b shows an arrangement of display elements 326 on each display unit 320, 340, 360 in accordance with the fourth embodiment of this invention. In the fourth embodiment, one surface of the mount panel 322 is concaved so as to form an arc-shaped surface in the same manner as that described for the third embodiment. A plurality of display elements 326 are regularly and symmetrically arranged along a plurality of parallel and vertical rows on the arc-shaped surface of the panel 322, thus forming a display element matrix with the display elements 326 being directed in converged radial directions. Two partition walls 324 are mounted on the panel 322 along both side edges of the arc-shaped surface in a way such that a slot is formed between the two partition walls 324 and allows the light beams from the display elements 326 to be radiated at multi-angles.

Fig. 8c shows an arrangement of display elements 326 on each display unit 320, 340, 360 in accordance with the fifth embodiment of this invention. In the fifth embodiment, a plurality of display elements 326 are regularly arranged along a plurality of parallel and vertical rows on a flat mount panel 322, thus forming a display element matrix. The display elements 326 are also symmetrically inclined relative to the mount panel 322 at multi-angles of inclination, thus being directed in converged radial directions. Two partition walls 324 are mounted on the panel 322 at both side edges of the panel 322 in a way such the two walls 324 are inclined inwardly at an angle of inclination with a slot being formed between the two partition walls 324. The slot of the two partition walls 324 allows the light beams from the display elements 326 to be radiated at multi-angles.

Figs. 9a to 9d illustrate a method of accomplishing a high horizontal resolution of the image display device

-8-

of this invention. As shown in the drawings, a plurality of display units, of which the multi-angles of both the display elements 326 and the partition walls 324 are different from each other, are continuously arranged on a rotary display assembly 300. When the rotary display assembly 300, carrying such display units, is rotated at a high speed, it is possible to form images having a high horizontal resolution.

Fig. 10 illustrates a method of accomplishing a high vertical resolution of the image display device of this invention. As shown in the drawing, a plurality of display units, of which the vertical intervals of the display element matrixes are different from each other, are continuously arranged on a rotary display assembly 300. When the rotary display assembly 300, carrying such display units, is rotated at a high speed, it is possible to form images having a high vertical resolution.

The operational effect of the present invention will be described hereinbelow.

In the operation of the above image display device, the image processing unit 100 may selectively process image data output from compact disks, video cassettes or hard disks prior to transmitting the processed image data to the controller 200. Alternatively, the image processing unit 100 may receive public waves, output from a broadcasting station, prior to processing image data of the public waves and transmitting the processed image data to the controller 200.

The controller 200 processes the image data output from the image processing unit 100 prior to generating an image display control signal, which is applied to the rotary display assembly 300 so as to allow said assembly 300 to display desired images. The controller 200 also generates a motor control signal used for rotating the assembly 300 at a desired speed, at which the assembly 300 is rotated with about thirty display units 320, 340

-9-

and 360 passing a position in front of a viewer.

That is, the drive motor unit 400 rotates the rotary display assembly 300 at a speed of not lower than 30 revolutions per second in response to the motor control signal output from the controller 200. When the rotary display assembly 300 is rotated by the motor unit 400 as described above, the assembly 300 displays desired images on the display units 320, 340 and 360.

In such a case, the power supply 500 supplies an electric power to each of the display units 320, 340 and 360 of the assembly 300.

Therefore, a viewer around the rotary display assembly 300 can see a desired image from the assembly 300 due to an afterimage caused by an optical illusion of the images formed on the display units 320, 340 and 360.

Figs. 11a to 11e are views, illustrating the horizontal resolving power of the image display device of this invention. When the display units 320, 340 and 360, individually emitting light beams at multi-angles, are orderly rotated as shown in Figs. 11a to 11c, it is possible to accomplish a desired horizontal resolving power at any position of a viewer as shown in Fig. 11e. In such a case, the horizontal resolving power is determined by the number of light beams emitted from the display elements 326 of the display units 320, 340 and 360.

For example, when a rotary display assembly 300, comprising a plurality of display units 320, 340 and 360 with both a plurality of display elements 326, individually having a 5mm width, and a plurality of partition walls 324 being arranged on each display unit 320, 340, 360 to form thirty different light emitting angles, is rotated at a high speed of not lower than thirty revolutions per second while displaying images on the display units 320, 340 and 360, a viewer around the assembly 300 can see thirty images at the same time due

-10-

to an afterimage caused by an optical illusion. When a plurality of image data are orderly moved through the display units of the assembly 300, the viewer can see thirty images at a fixed position.

5           When each display unit 320, 340, 360 of the rotary display assembly 300 only carries monochrome display elements, the display assembly 300 shows a monochrome image. However, each display unit 320, 340, 360 of the rotary display assembly 300 carries color display  
10 elements or R (red), G (green) or B (blue) display elements, the display assembly 300 shows a color image when the assembly 300 is rotated at a high speed. When each display element 326, carried on each display unit 320, 340, 360, is designed to selectively emit R, G or  
15 B color light beam, it is possible to form an image having a variety of colors due to an additive color mixture effect.

In the preferred embodiments of this invention, the display elements 326 are arranged on each display unit  
20 320, 340, 360 of the rotary display assembly 300 in a way such that the display elements 326 emit light beams to the outside of the assembly 300. However, it should be understood that the display elements 326 may be arranged on each display unit 320, 340, 360 of the  
25 assembly 300 in a way such that the display elements 326 emit light beams to the inside of the assembly 300. In such a case, a viewer, positioned inside the assembly 300, can see an image having an angle of 360°.

### 30           Industrial Applicability

As described above, the present invention provides a device and method of displaying images. The device of this invention displays a plurality of images having a high resolution using a rotary display assembly having  
35 a circular, longitudinal oval or polygonal cross-section. The device is thus preferably used as an interior

-11-

instrument or a sign board in a store or an exhibit room.

5 The device of this invention also displays a plurality of images at multi-angles, thus preferably displaying several images or different program images at the same time. In addition, the device allows a plurality of users to play a multi-user game using one display device.

10 Another advantage of the invention resides in that since a plurality of display elements emit light beams at multi-angles when a plurality of display units are orderly rotated, it is possible to accomplish a desired horizontal resolving power at a position of a viewer, with the horizontal resolving power being determined by  
15 the number of light beams emitted from the display elements of the display units.

20 Although the preferred embodiments of the present invention have been disclosed for illustrative purposes, those skilled in the art will appreciate that various modifications, additions and substitutions are possible, without departing from the scope and spirit of the invention as disclosed in the accompanying claims.

## Claims:

1. A device for displaying images, comprising:

5 a controller selectively processing image data output from an image processing unit so as to generate an image display control signal, said controller also generating a motor control signal;

10 a drive motor unit selectively rotated at a speed in response to the motor control signal output from said controller; and

15 a rotary display assembly comprising a plurality of image display units capable of individually emitting light beams at multi-angles, said assembly being rotatable at a speed by said drive motor unit and selectively displaying images on said display units in response to the image display control signal output from the controller, said display units of the rotary display assembly being arranged on the assembly so as to display images inside the assembly, the image being an afterimage caused by an optical illusion  
20 formed by the rotating rotary display assembly.

2. The device of claim 1, wherein each of said display units comprises:

25 a mount panel concaved on one surface thereof from the top to the bottom, thus having an arc-shaped surface;

a plurality of display elements regularly arranged along a plurality of parallel and vertical rows on said arc-shaped surface of the mount panel, thus forming a display element matrix and emitting light beams at multi-angles; and

30 a plurality of partition walls positioned between the rows of display elements, thus separating the rows of display elements from each other and allowing the light

beams, emitted from the display elements, to be radiated at multi-angles.

3. The device of claim 1, wherein each of said display  
5 units comprises:

a flat mount panel; and

a plurality of display elements regularly arranged  
along a plurality of parallel and vertical rows on one  
surface of said flat mount panel, thus forming a display  
10 element matrix with a plurality of partition walls being  
positioned between the rows of display elements, said rows  
of display elements along with the partition walls being  
symmetrically inclined so as to emit light beams at multi-  
angles.

15

4. The device of claim 1, wherein each of said display  
units comprises:

a mount panel concaved on one surface thereof from the  
top to the bottom, thus having an arc-shaped surface;

20 a plurality of display elements regularly and  
symmetrically arranged along a plurality of parallel and  
vertical rows on the arc-shaped surface of the mount panel,  
thus forming a display element matrix and emitting light  
beams at multi-angles; and

25 two partition walls mounted on said mount panel at both  
side edges of the arc-shaped surface so as to form a slot  
between them, said slot having a predetermined width and  
allowing the light beams, emitted from the display elements,  
to be radiated at multi-angles.

30

5. The device of claim 1, wherein each of said display  
units comprises:

a flat mount panel;

a plurality of display elements regularly arranged along a plurality of parallel and vertical rows on said flat mount panel, thus forming a display element matrix and emitting light beams at multi-angles; and

5 two partition walls mounted on said flat mount panel at both side edges of the panel while being inclined inwardly at an angle of inclination, thus forming a slot between them, said slot having a predetermined width and allowing the light beams, emitted from the display elements, to be  
10 radiated at multi-angles.

6. The device of claim 1, wherein each of said display units comprises:

a flat mount panel;

15 a plurality of display elements regularly arranged along a plurality of parallel and vertical rows on one surface of said flat mount panel, thus forming a display element matrix and emitting light beams in normal directions;

20 a polarizing plate covering the display elements so as to polarize the light beams emitted from the display elements; and

a plurality of partition walls regularly and symmetrically arranged on said polarizing plate so as to  
25 radiate the polarized light beams at multi-angles.

7. The device of claim 2, wherein the light beam emitting angles of the display units are different from each other in accordance with the order of said display units, thus  
30 allowing the rotary display assembly to display an image having a high horizontal resolution when the display assembly is rotated at a high speed.

8. The device of claim 2, wherein vertical intervals of the display element matrixes carried on the display units are different from each other, thus allowing the rotary display assembly to display an image having a high vertical resolution when the display assembly is rotated at a high speed.

9. The device of claim 2, wherein the display elements of the display units individually and selectively emit a red, green or blue light beam, thus allowing the rotary display assembly to display a color image.

10. The device of claim 2, wherein the display elements, carried on each of said display units, emit red, green or blue light beams, thus allowing the rotary display assembly to display a color image.

11. The device of claim 1, wherein said rotary display assembly has a polygonal cross-section.

20

12. The device of claim 1, wherein said rotary display assembly has a circular cross-section.

1/7

FIG.1

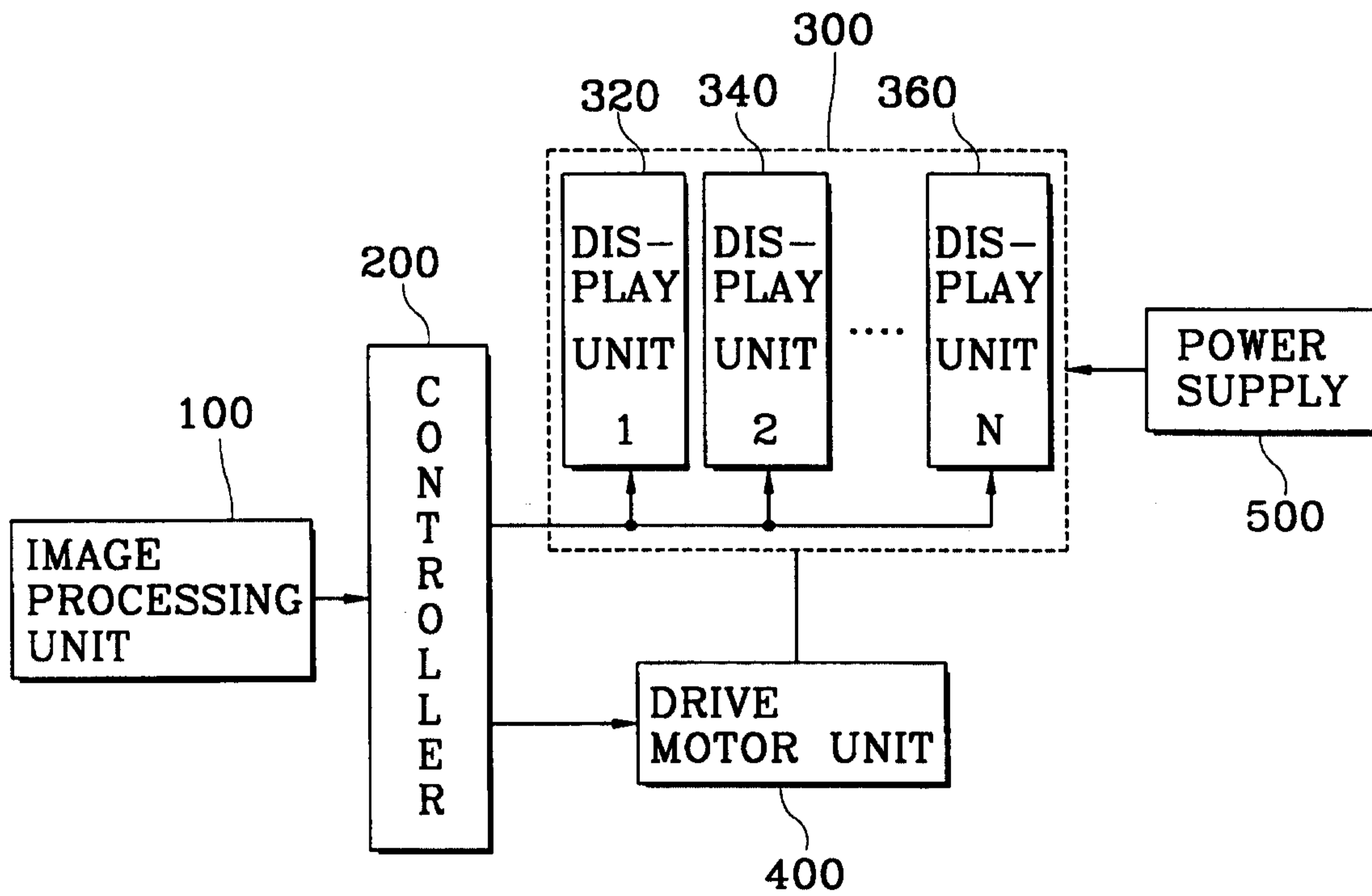
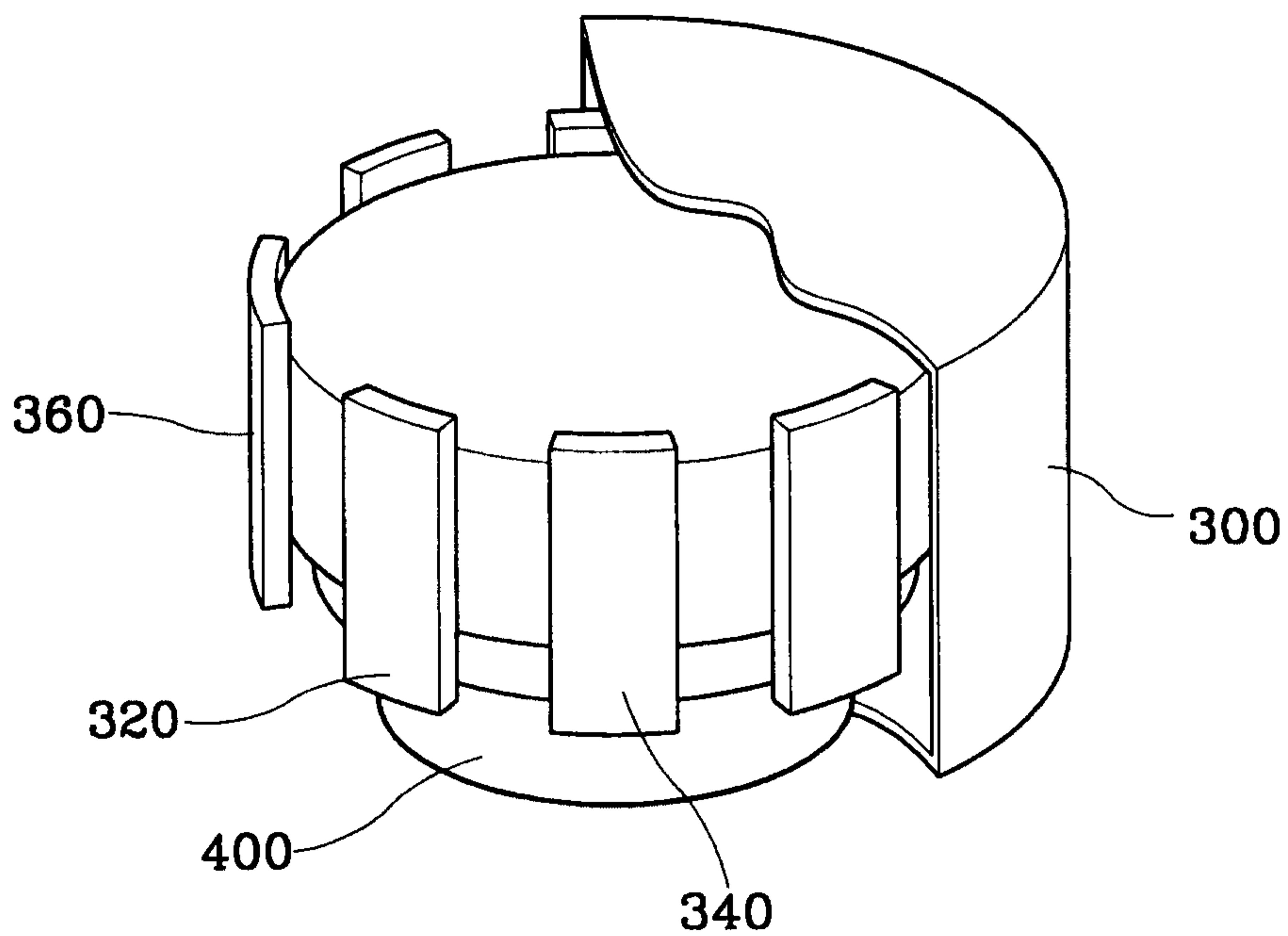


FIG.2



2/7  
FIG.3

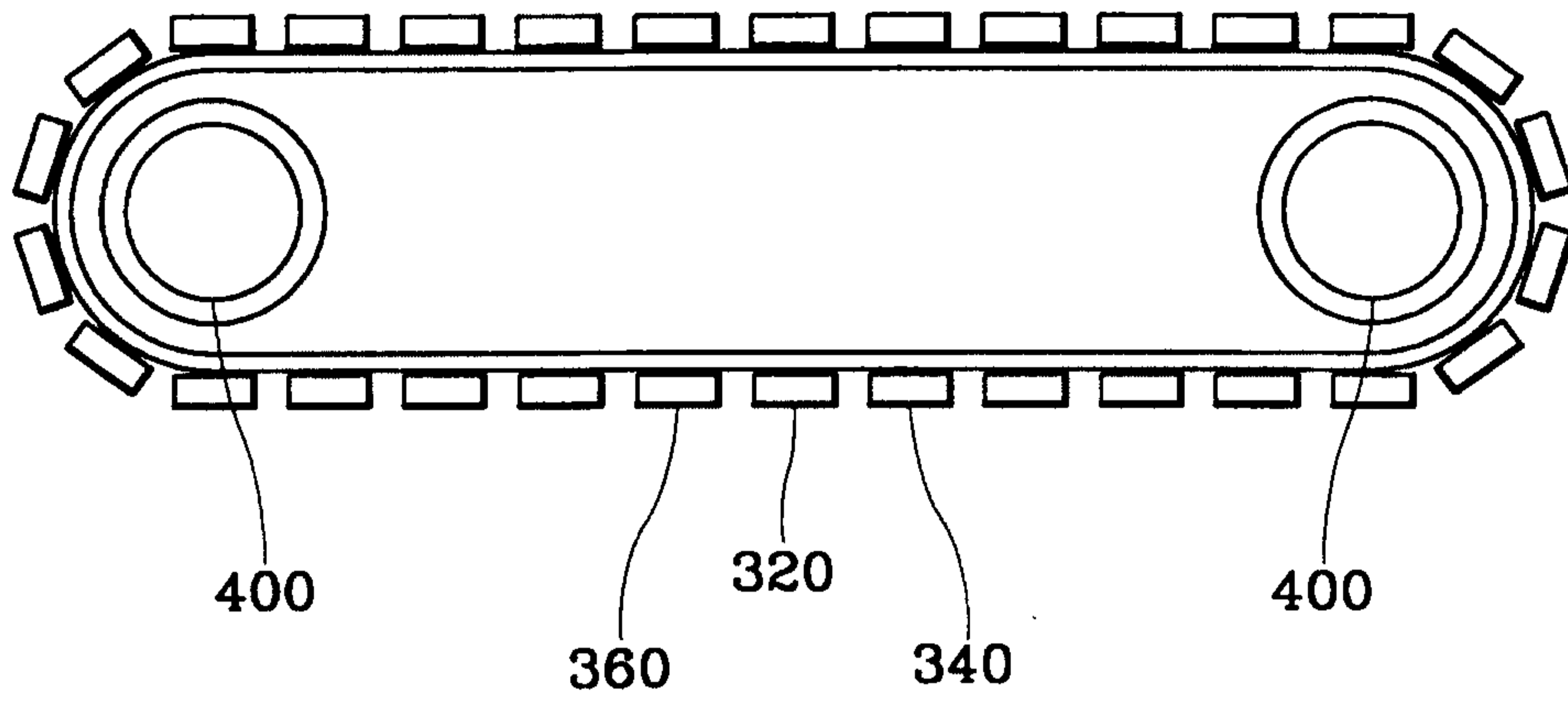
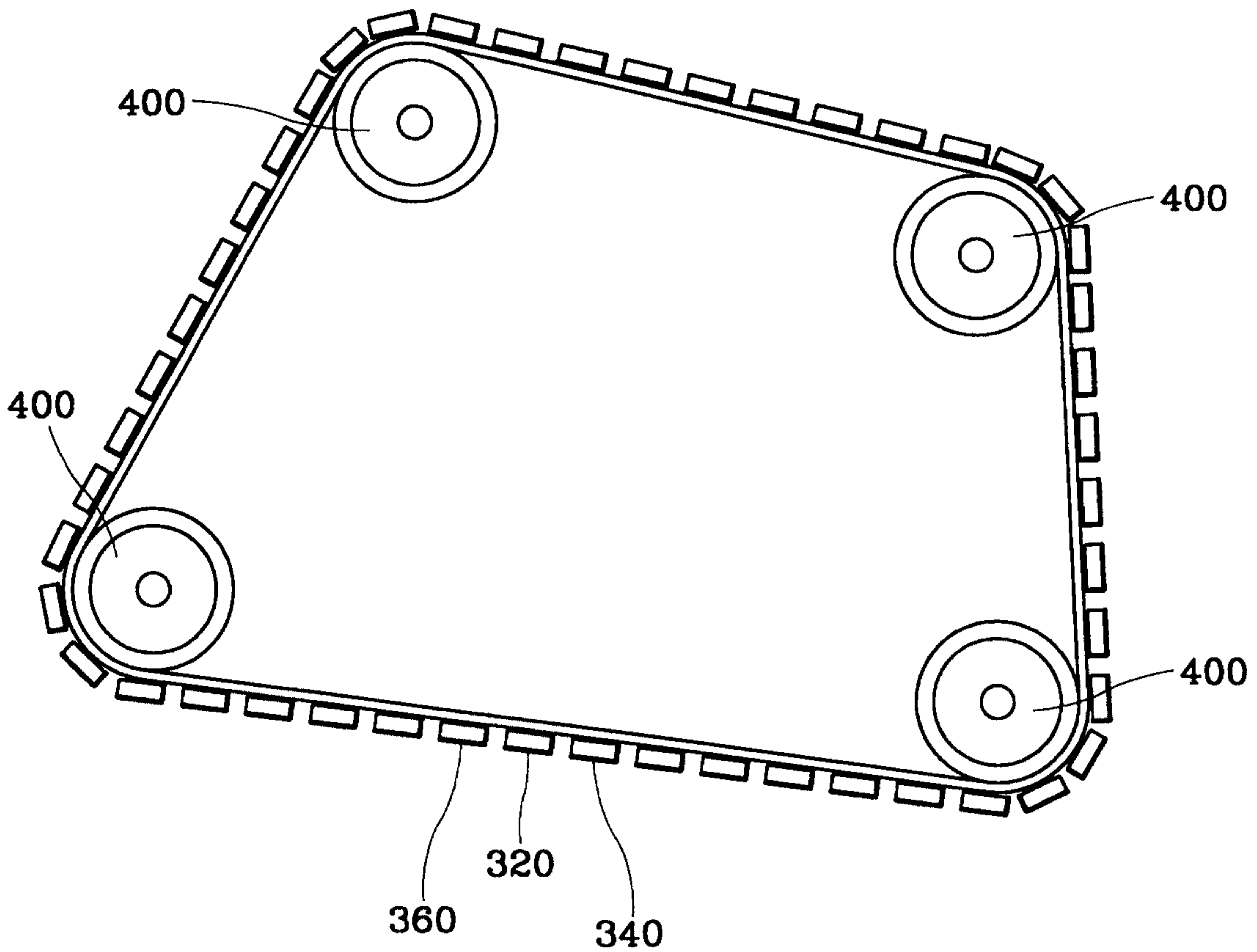
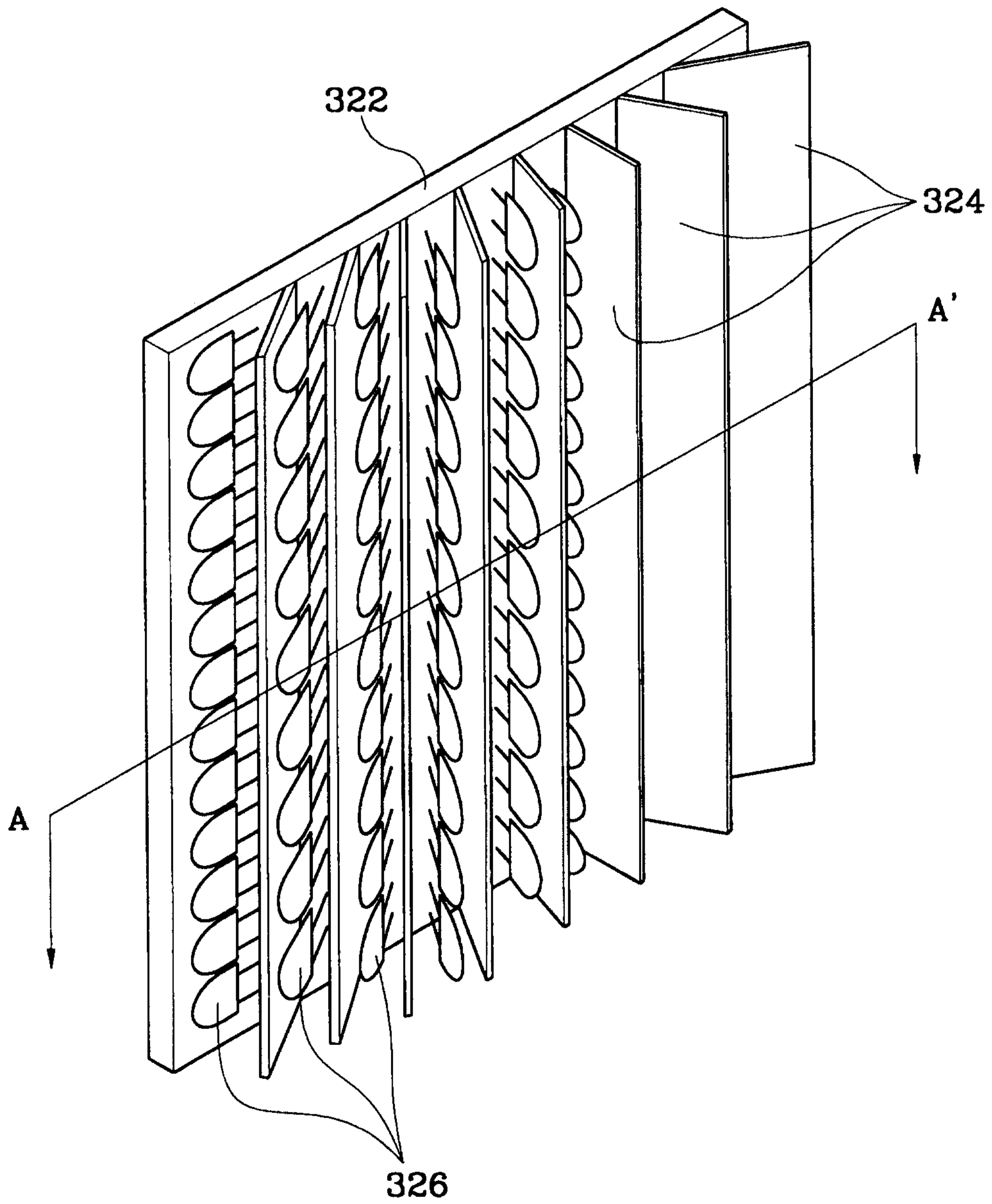


FIG.4



3/7  
FIG. 5



4/7

FIG. 6

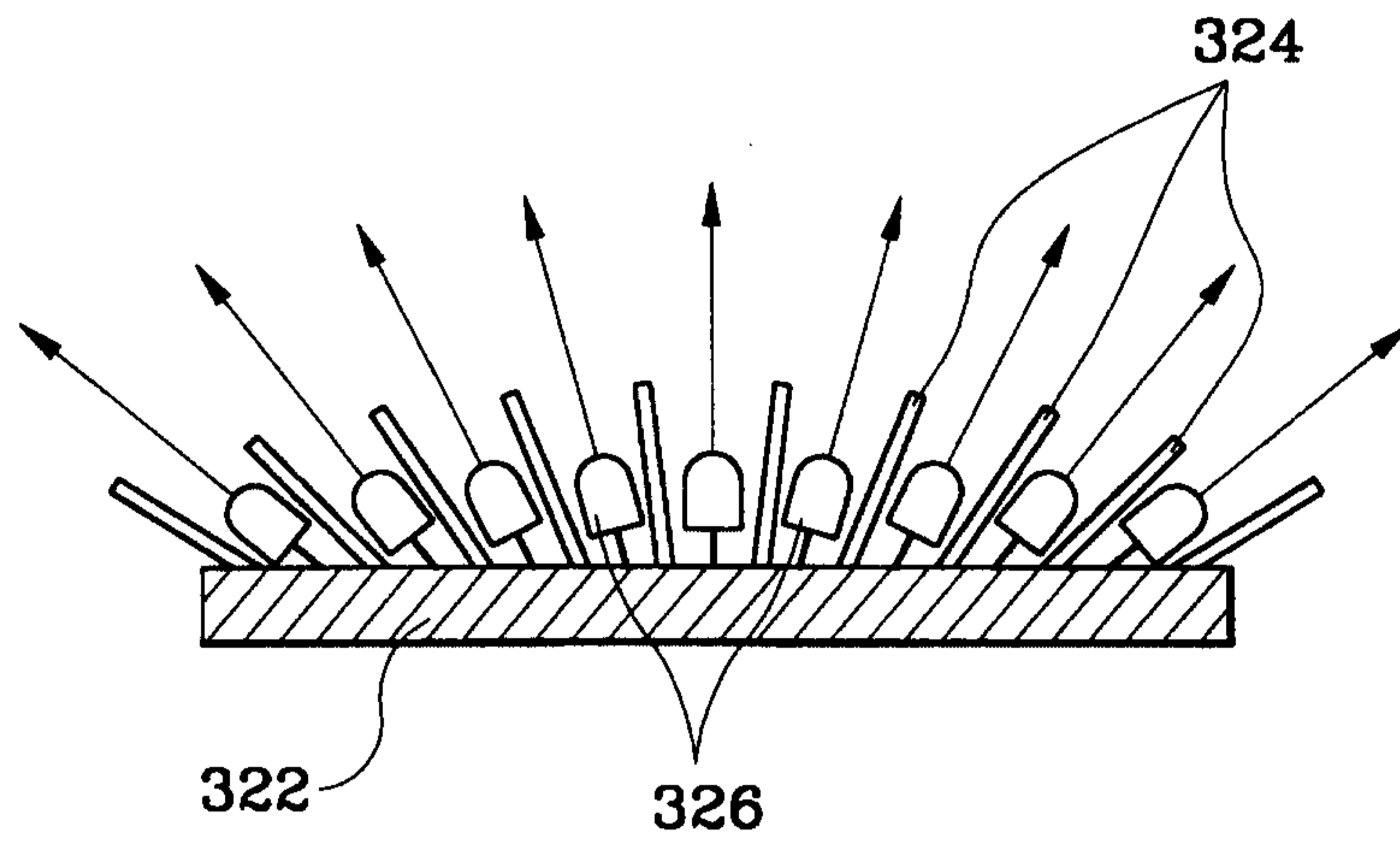
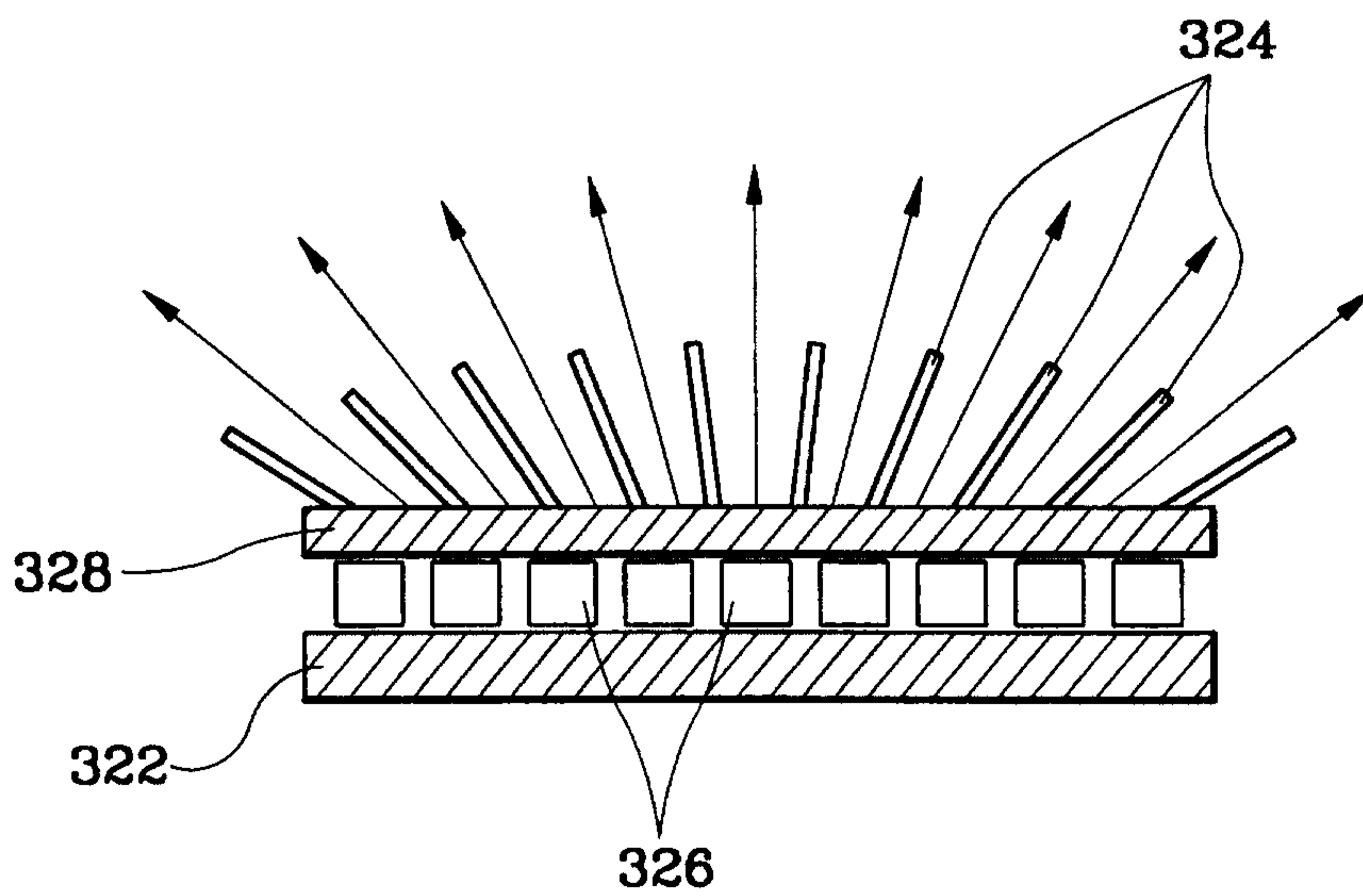


FIG. 7



5/7

FIG. 8a

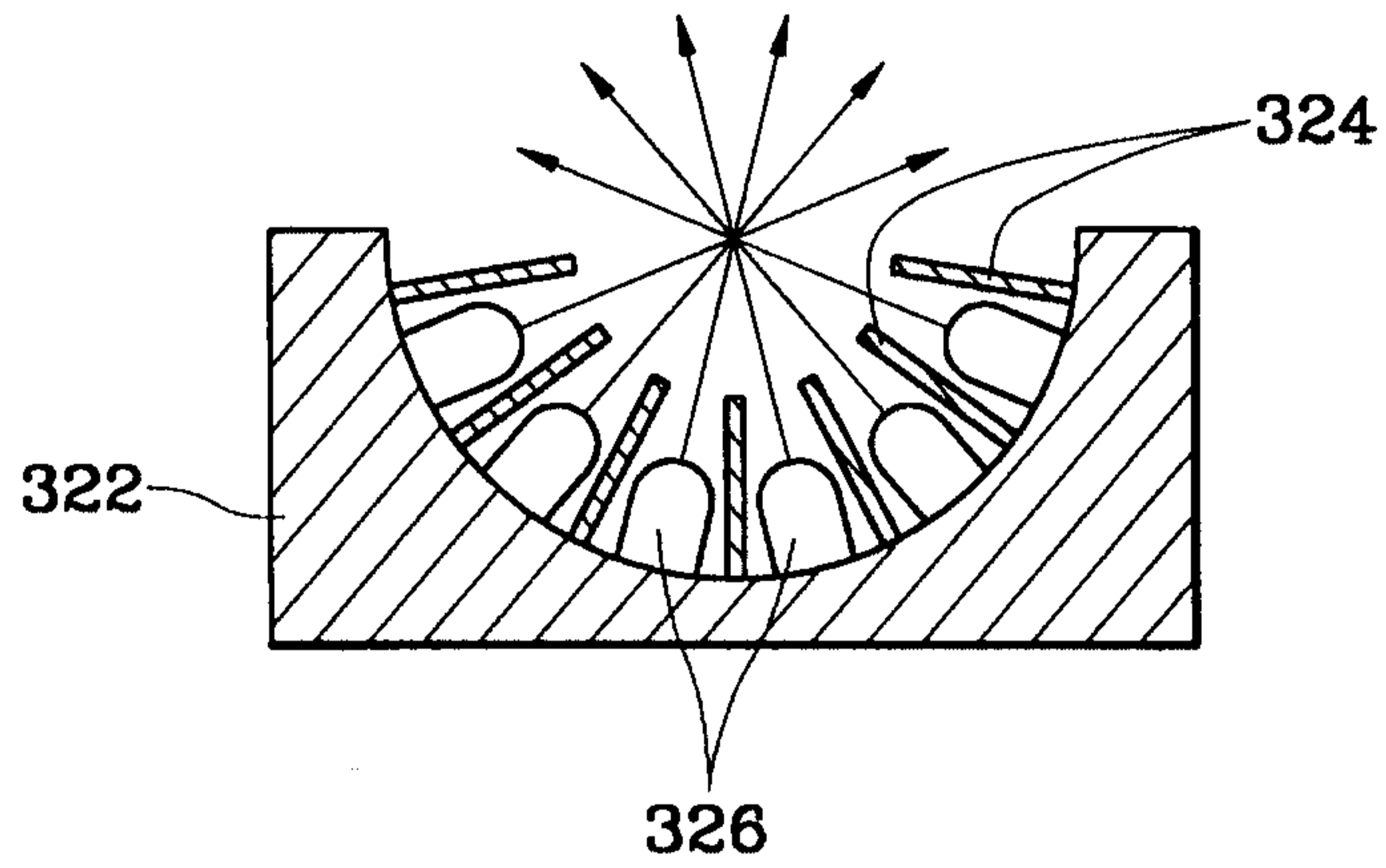


FIG. 8b

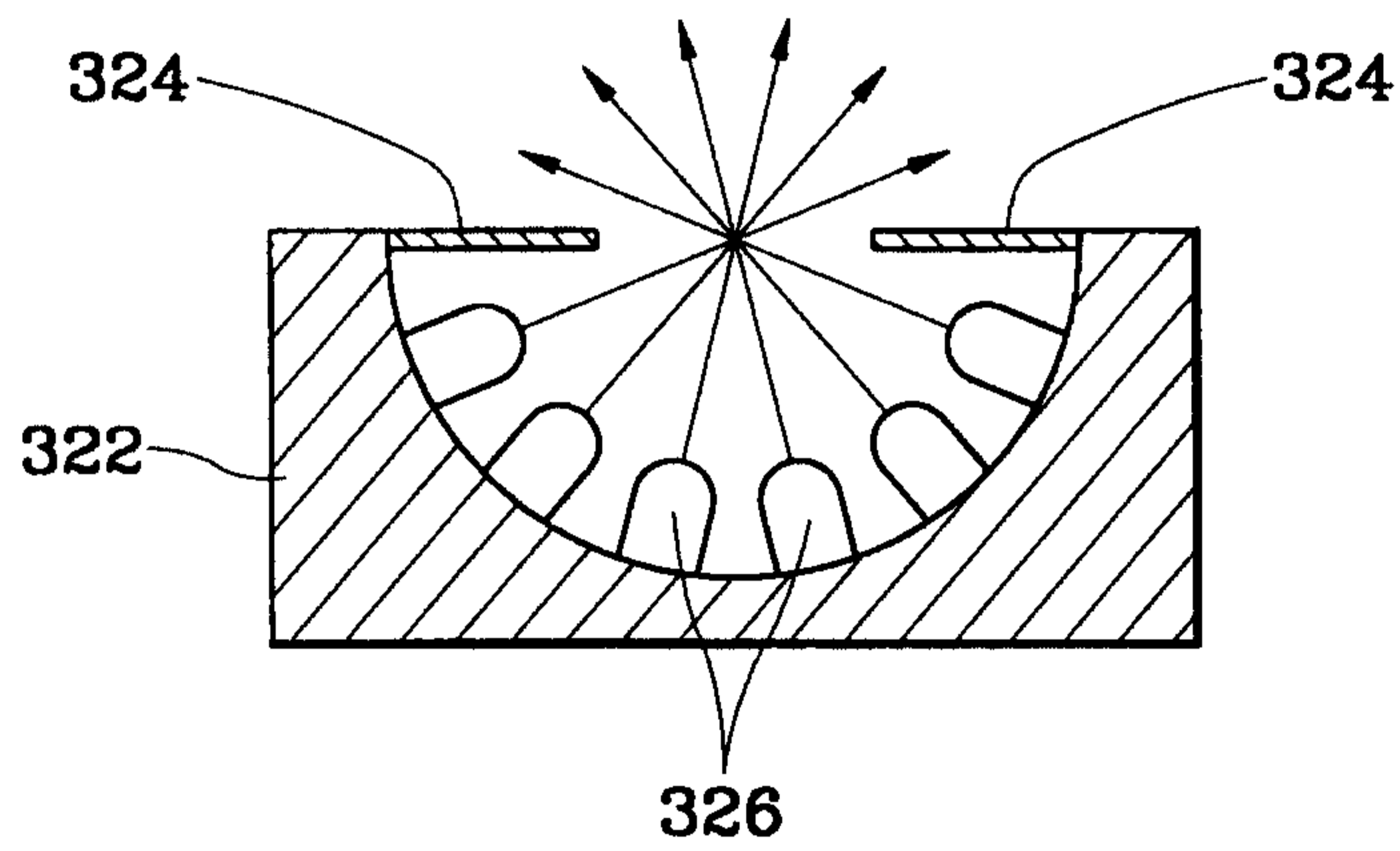
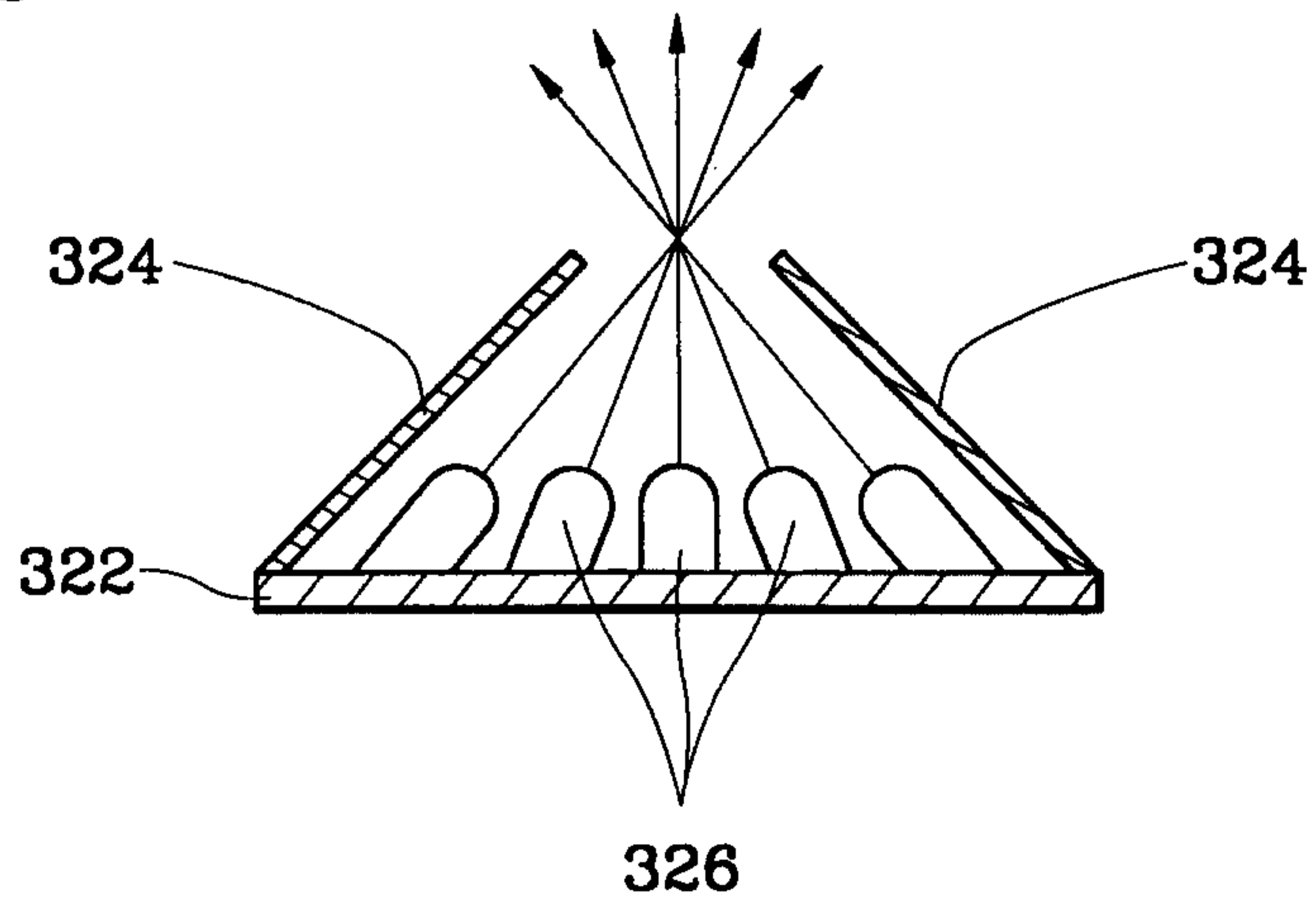


FIG. 8c



6/7

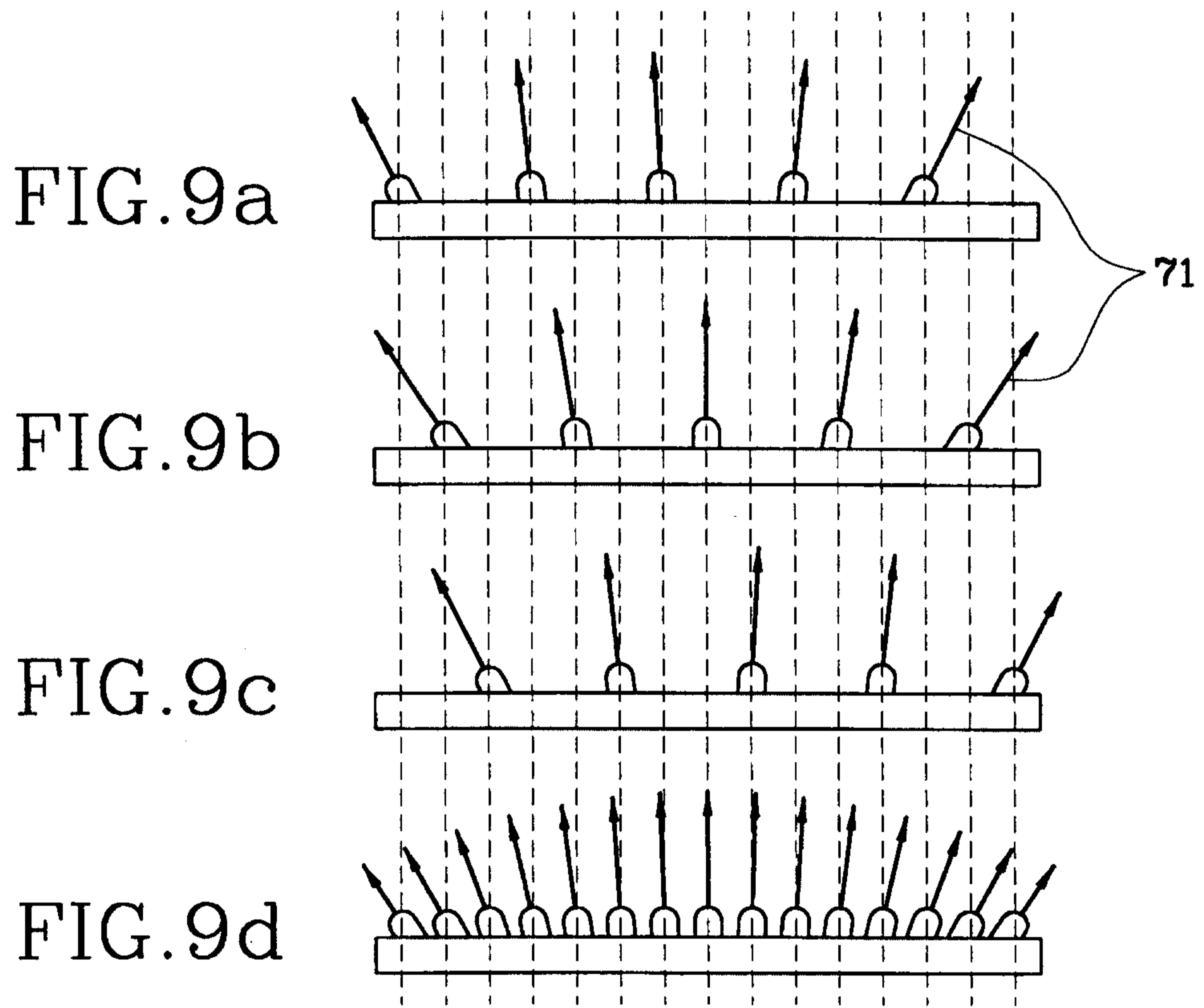
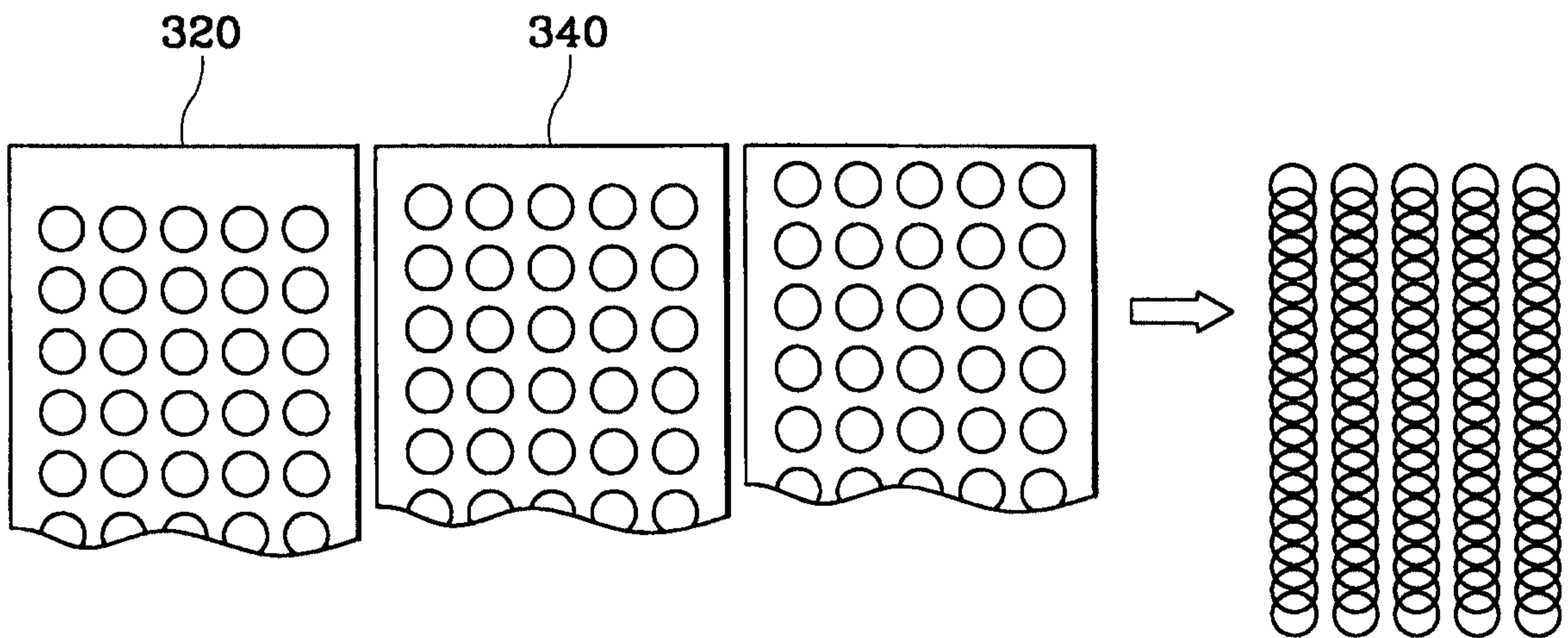


FIG. 10



7/7

FIG.11a

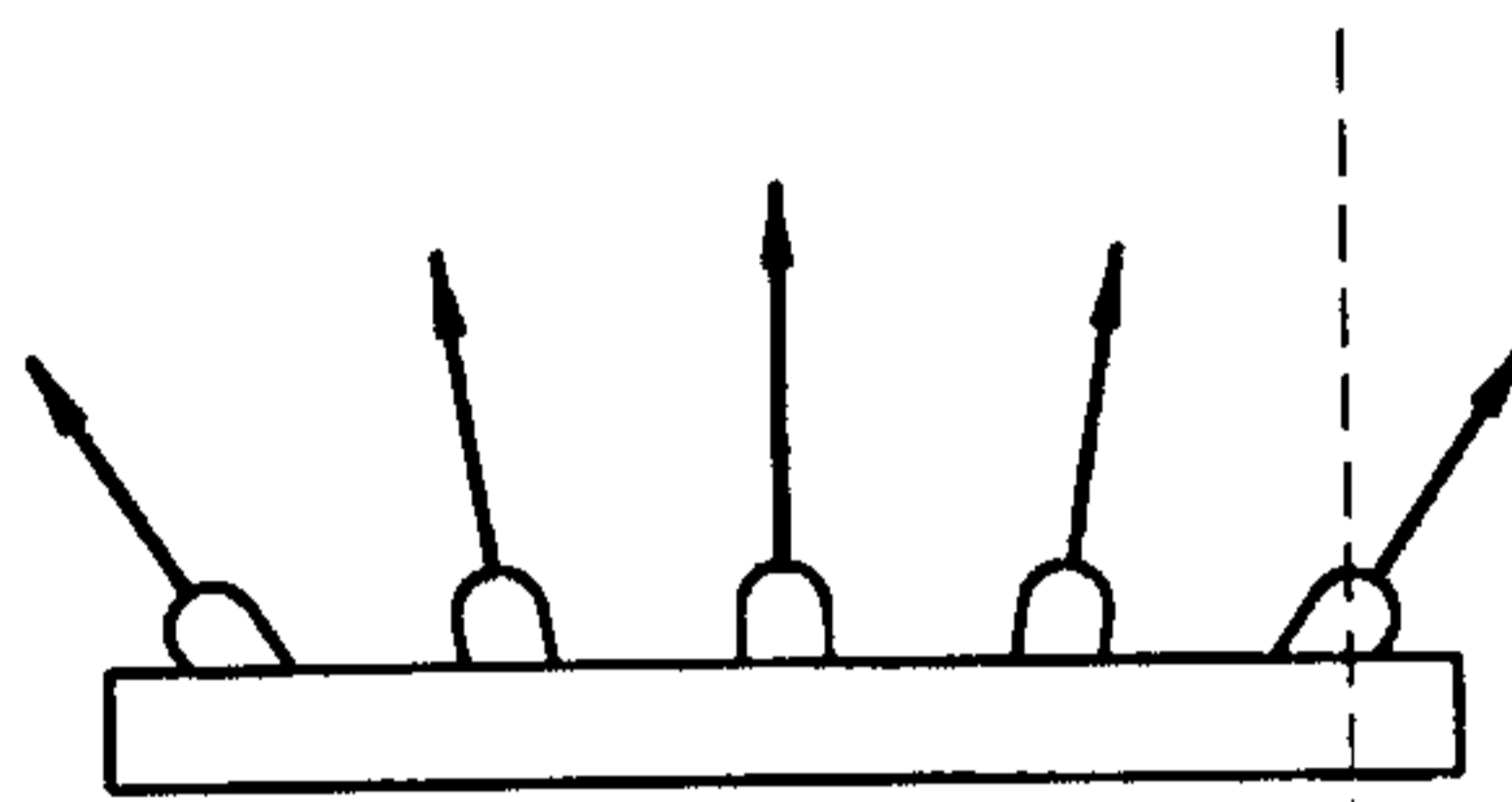


FIG.11b

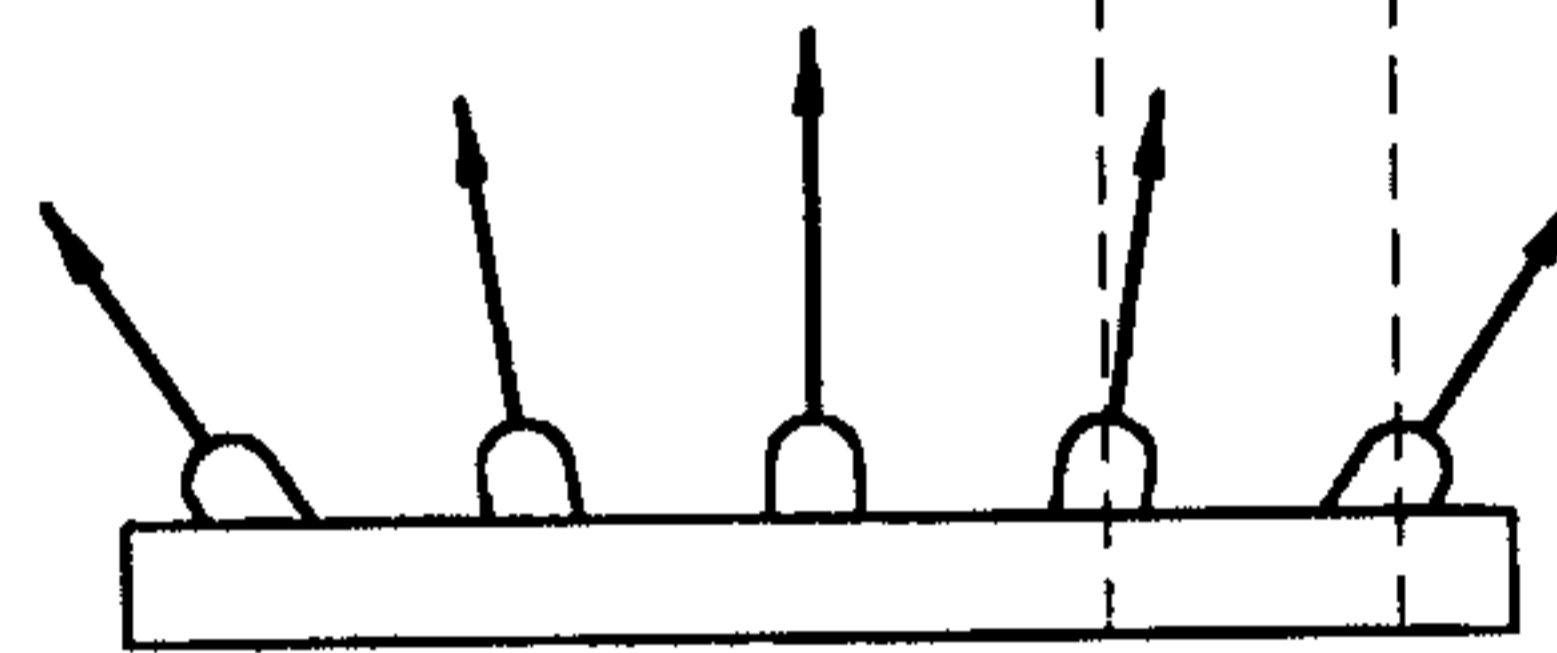


FIG.11c

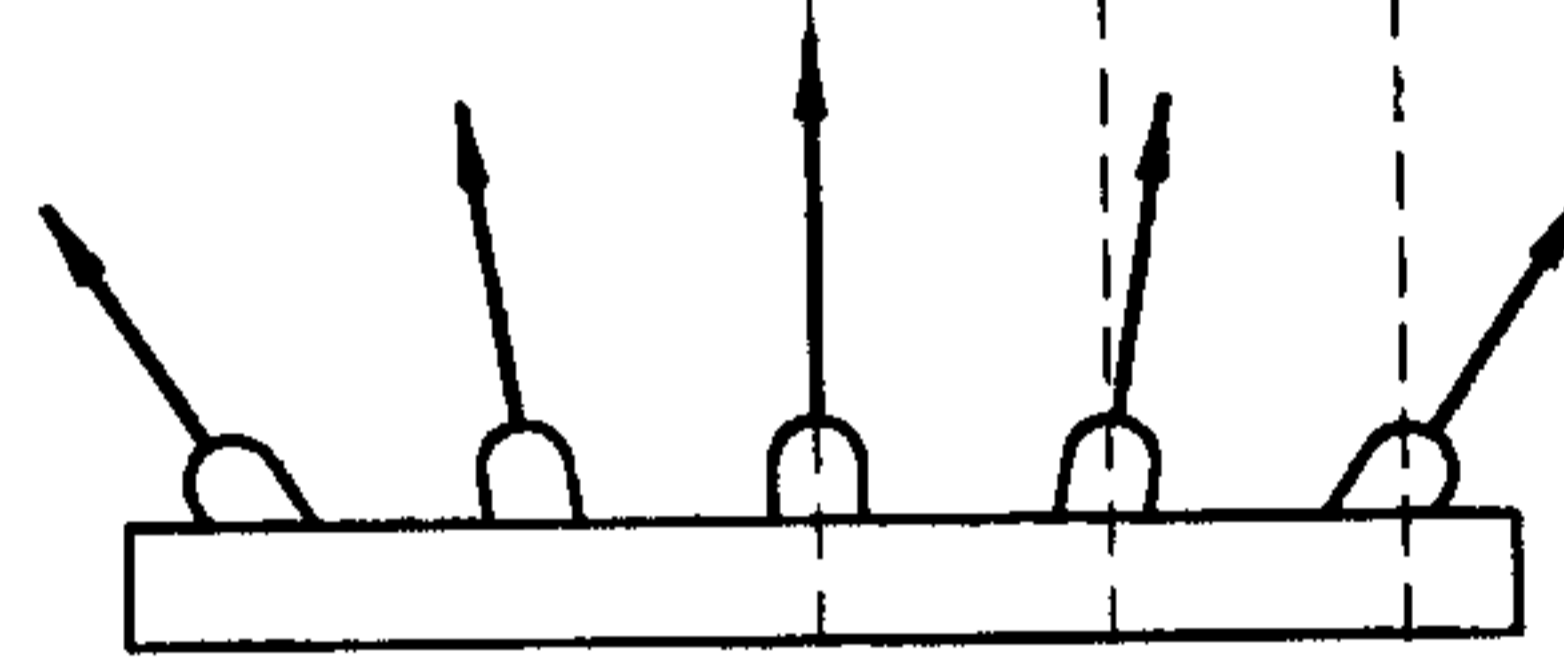


FIG.11d

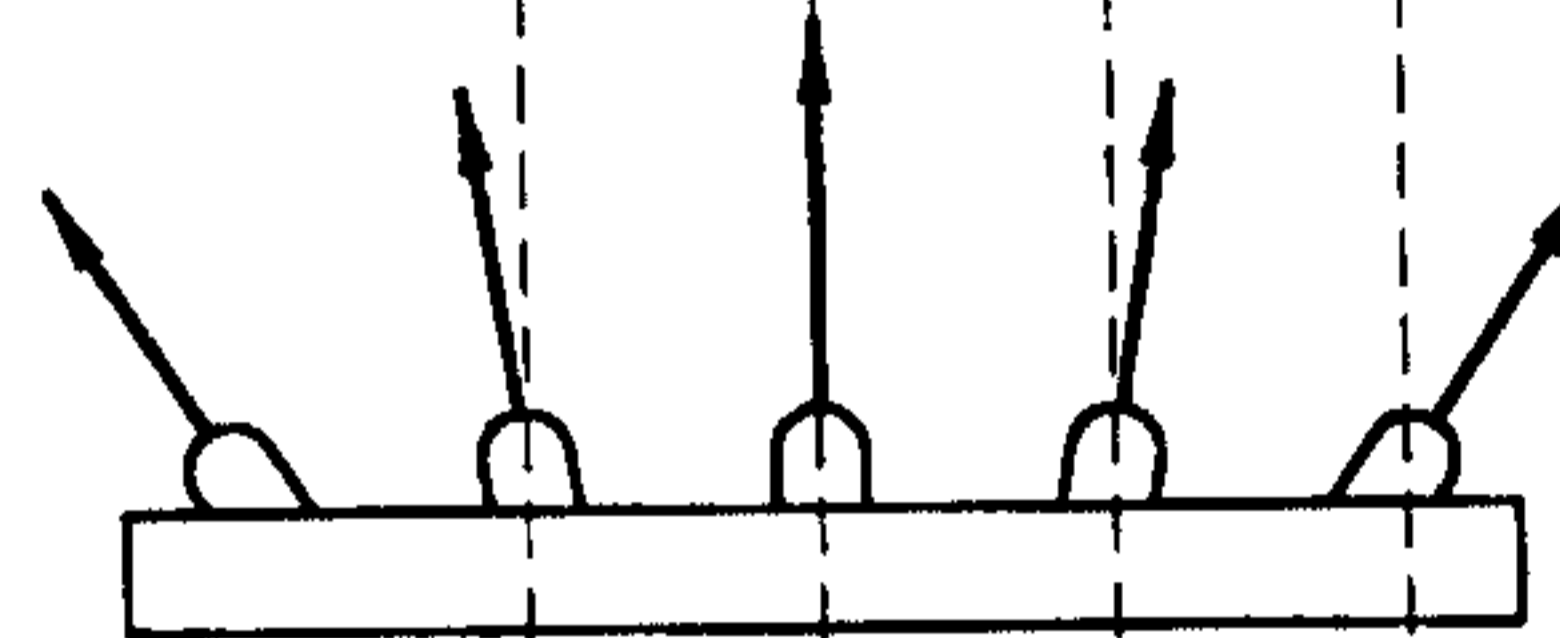


FIG.11e

