



US00D996903S

(12) **United States Design Patent**  
**Endo**

(10) **Patent No.:** **US D996,903 S**

(45) **Date of Patent:** **\*\* Aug. 29, 2023**

- (54) **VACUUM BOTTLE**
- (71) Applicant: **ZOJIRUSHI CORPORATION**, Osaka (JP)
- (72) Inventor: **Mami Endo**, Osaka (JP)
- (73) Assignee: **ZOJIRUSHI CORPORATION**, Osaka (JP)

- D455,609 S \* 4/2002 Mandel ..... D7/533
- D540,979 S \* 4/2007 Chen ..... D7/510
- D548,008 S 8/2007 Lin
- D572,531 S 7/2008 Romandy et al.
- D573,404 S 7/2008 Wahl
- D587,969 S 3/2009 Gilbert
- D591,153 S 4/2009 Strepkoff

(Continued)

- (\*\*) Term: **15 Years**
- (21) Appl. No.: **35/513,085**
- (22) Filed: **Jun. 4, 2021**

- CA 106472 12/2005
- CA 141182 2/2012

(Continued)

**FOREIGN PATENT DOCUMENTS**

- (80) **Hague Agreement Data**
- Int. Filing Date: **Jun. 4, 2021**
- Int. Reg. No.: **DM/215448**
- Int. Reg. Date: **Jun. 4, 2021**
- Int. Reg. Pub. Date: **Dec. 10, 2021**

**OTHER PUBLICATIONS**

Zojirushi SX-FA45-PZ [online] URL: <https://www.amazon.co.jp/-/en/Zojirushi-SX-FA45-PZ-Stainless-Tumbler-Retention/dp/B08QH7QBNW?th=1> (site visited: Oct. 21, 2022) (Year: 2020).\*

(Continued)

- (51) **LOC (14) Cl.** ..... **07-01**
- (52) **U.S. Cl.**
- USPC ..... **D7/511; D7/510**

*Primary Examiner* — Jae Liang  
*Assistant Examiner* — Tia Ruth-Renee Polidori  
(74) *Attorney, Agent, or Firm* — Nixon & Vanderhye PC

- (58) **Field of Classification Search**
- USPC ..... D7/507, 509, 510, 511, 533, 535, 536, D7/392.1, 396.1, 396.2, 608, 300.1, 598, D7/600, 532, 900; D9/443, 446, 449; D3/202
- CPC ..... B65D 1/40; B65D 21/086; A47G 21/18; A47G 19/22; A47G 19/2288; A47G 19/2205; A45F 2003/205; A47J 41/0055; A47J 41/0022; A47J 41/00; A47J 41/0077; A47J 41/0088; Y10S 220/903
- See application file for complete search history.

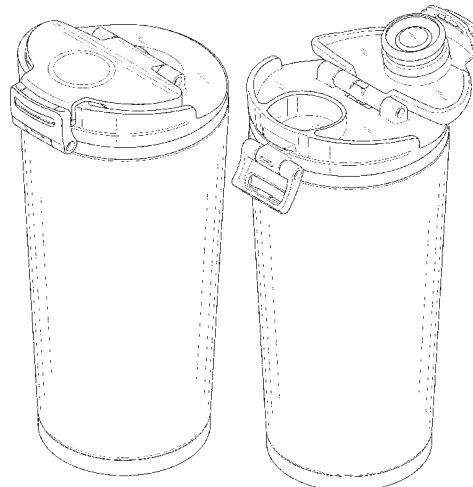
- (57) **CLAIM**
- The ornamental design for a vacuum bottle, as shown and described.

**DESCRIPTION**

1. Vacuum bottle  
Fig. 1.1 is a perspective view showing my new design;  
Fig. 1.2 is a front view thereof;  
Fig. 1.3 is a back view thereof;  
Fig. 1.4 is a top plan view thereof;  
Fig. 1.5 is a bottom plan view thereof;  
Fig. 1.6 is a right side view thereof, the left side view being symmetrical thereto; and  
Fig. 1.7 is a perspective view with the lid open.  
The portions of the vacuum bottle shown in broken lines form no part of the claimed design.

- (56) **References Cited**
- U.S. PATENT DOCUMENTS
- 2,661,889 A \* 12/1953 Phinney ..... A47G 19/2272 229/404
- 4,301,942 A \* 11/1981 Kupperman ..... A47G 19/2205 220/532

**1 Claim, 7 Drawing Sheets**



(56)

References Cited

U.S. PATENT DOCUMENTS

D592,012 S 5/2009 Carreno  
 D622,546 S \* 8/2010 Bodum ..... D7/532  
 RE42,484 E 6/2011 Kitamura et al.  
 D647,753 S \* 11/2011 Lin ..... D7/392.1  
 D655,967 S \* 3/2012 Bodum ..... D7/412  
 D675,060 S 1/2013 Lane  
 D675,873 S \* 2/2013 Miller ..... D7/510  
 D691,416 S \* 10/2013 Eyal ..... D9/449  
 D719,023 S \* 12/2014 Hu ..... D9/449  
 D721,535 S \* 1/2015 Chapman ..... D9/450  
 D761,058 S 7/2016 Ou  
 D770,222 S 11/2016 Boroski et al.  
 D770,852 S \* 11/2016 Vu ..... D7/532  
 D773,255 S \* 12/2016 Horimoto ..... D7/608  
 D780,517 S 3/2017 Boroski et al.  
 D787,262 S \* 5/2017 Horimoto ..... D7/391  
 D787,268 S 5/2017 Matsuo  
 D794,390 S \* 8/2017 Boettcher Sebben ..... D7/532  
 D803,623 S \* 11/2017 Bodum ..... D7/532  
 D833,818 S \* 11/2018 Sletten ..... D7/532  
 D863,874 S \* 10/2019 Melanson ..... D7/392.1  
 D869,230 S 12/2019 Hao  
 D899,855 S \* 10/2020 Goto ..... D7/532  
 D924,632 S \* 7/2021 Hamilton ..... D7/510  
 D961,999 S \* 8/2022 Ni ..... D7/511  
 D984,211 S \* 4/2023 Wolf ..... D7/510  
 2008/0105692 A1 \* 5/2008 Hiromori ..... A47J 41/0072  
 220/592.16  
 2016/0286993 A1 \* 10/2016 Pau ..... A47G 19/2288  
 2016/0355318 A1 \* 12/2016 Epenetos ..... B65D 81/24  
 2017/0105558 A1 \* 4/2017 Andreas ..... A47G 19/2261  
 2020/0237125 A1 \* 7/2020 Brown, II ..... A47J 41/028  
 2021/0206539 A1 \* 7/2021 Lovern, IV ..... B65D 47/286  
 2021/0325033 A1 \* 10/2021 Johnwell ..... F21V 33/0036

FOREIGN PATENT DOCUMENTS

CA 144229 9/2012  
 CA 145202 6/2013  
 CA 147244 2/2014  
 CA 148288 2/2014  
 CA 148296 2/2014  
 CA 152541 8/2014  
 CA 167217 10/2016  
 CA 170510 6/2017  
 CA 174235 6/2017  
 CA 170356 9/2018  
 CA 178839 9/2018  
 CA 177523 2/2019  
 CA 181048 2/2019  
 CA 181061 2/2019  
 CA 184376 2/2019  
 CN 302172658 11/2012  
 CN 302473856 6/2013  
 CN 302524314 8/2013  
 CN 303009804 11/2014  
 CN 303262978 7/2015  
 CN 303355051 9/2015  
 CN 303355101 9/2015

CN 303503596 \* 12/2015  
 CN 303734776 7/2016  
 CN 303767530 8/2016  
 CN 303974982 12/2016  
 CN 303993367 1/2017  
 CN 304182794 6/2017  
 CN 305200127 6/2019  
 CN 305225591 6/2019  
 CN 305239314 7/2019  
 CN 305239362 7/2019  
 CN 305278996 7/2019  
 CN 305399607 10/2019  
 CN 305416358 11/2019  
 CN 305565146 1/2020  
 CN 307910515 \* 3/2023  
 EM 015016729-0001 \* 4/2023  
 EM 015018571-0001 \* 4/2023  
 HK 1800871.6 5/2018  
 HK 1915242 12/2019  
 HK 2118106-0001 \* 7/2021  
 JP D1626976 \* 3/2019  
 JP D1691332 \* 7/2021  
 JP D1707680 \* 2/2022  
 JP D1733867 \* 1/2023  
 JP D1733868 \* 1/2023  
 JP D1736896 \* 2/2023  
 JP D1740451 \* 3/2023  
 KR 30-0672156 12/2012  
 KR 30-0723065 12/2013  
 RU 00099922 \* 9/2016  
 TH 48388 11/2001  
 TH 48958 1/2002  
 TH 122028 3/2013  
 TH 122056 3/2013  
 TH 122717 4/2013  
 TH 140791 5/2015  
 TH 172837 1/2018  
 TH 179937 9/2018  
 TH 187794 3/2020  
 TH 188020 3/2020  
 TW D162255 8/2014  
 TW D194350 12/2018  
 TW D198335 7/2019  
 TW 217004-0001 \* 2/2022  
 WO WOD215448-001 \* 12/2021

OTHER PUBLICATIONS

CarePromotions [online] URL: <https://www.carepromotions.com/employee-recognition-appreciation-commuter-17-oz-double-wall-polypropylene-tumbler-with-flip-top-closure.aspx> (site visited: Oct. 21, 2022) (Year: 2022).\*

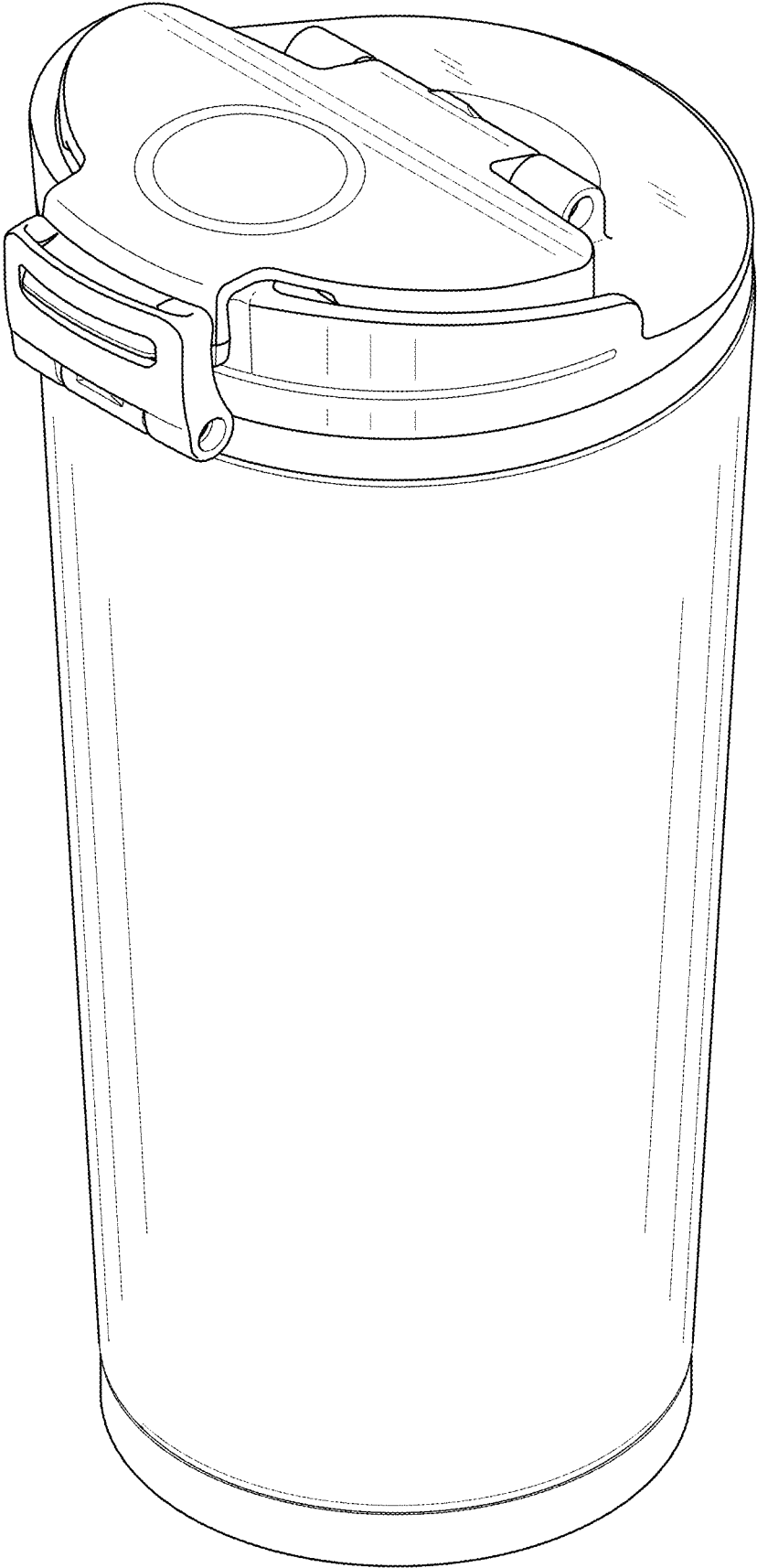
Zojirushi [online] URL: <https://shop.zojirushi.com/products/sxka> (site visited: Oct. 21, 2022) (Year: 2022).\*

Kingstar [online] URL: <https://www.waterbottle.tech/product/kingstar-s27550f5-vacuum-insulated-stainless-steel-tumbler-with-flip-lid-and-handle/> (site visited: May 10, 2023) (Year: 2020).\*

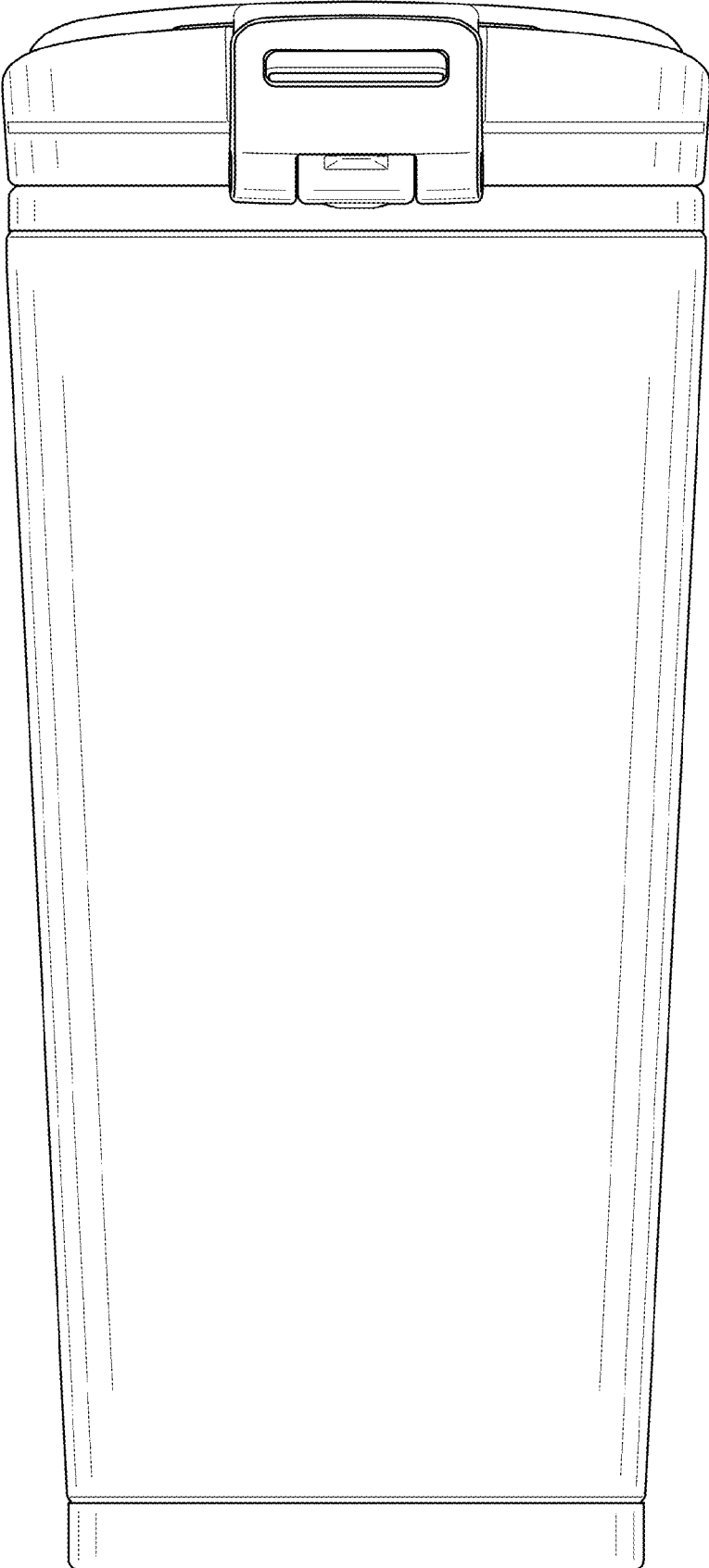
Global Sources [online] URL: <https://www.globalsources.com/Stainless-steel/stainless-steel-tumbler-1188289291p.htm> (site visited: May 10, 2023) (Year: 2023).\*

\* cited by examiner

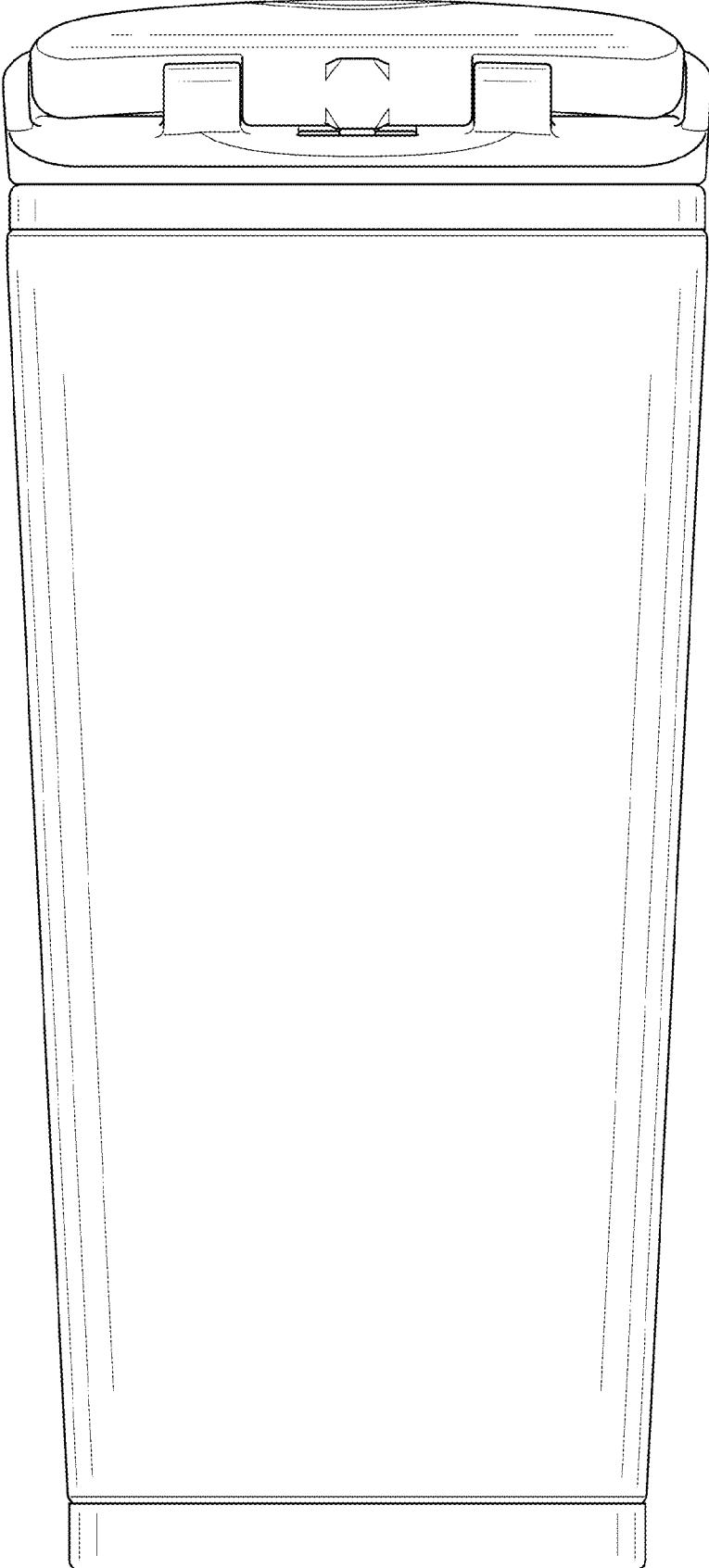
1.1



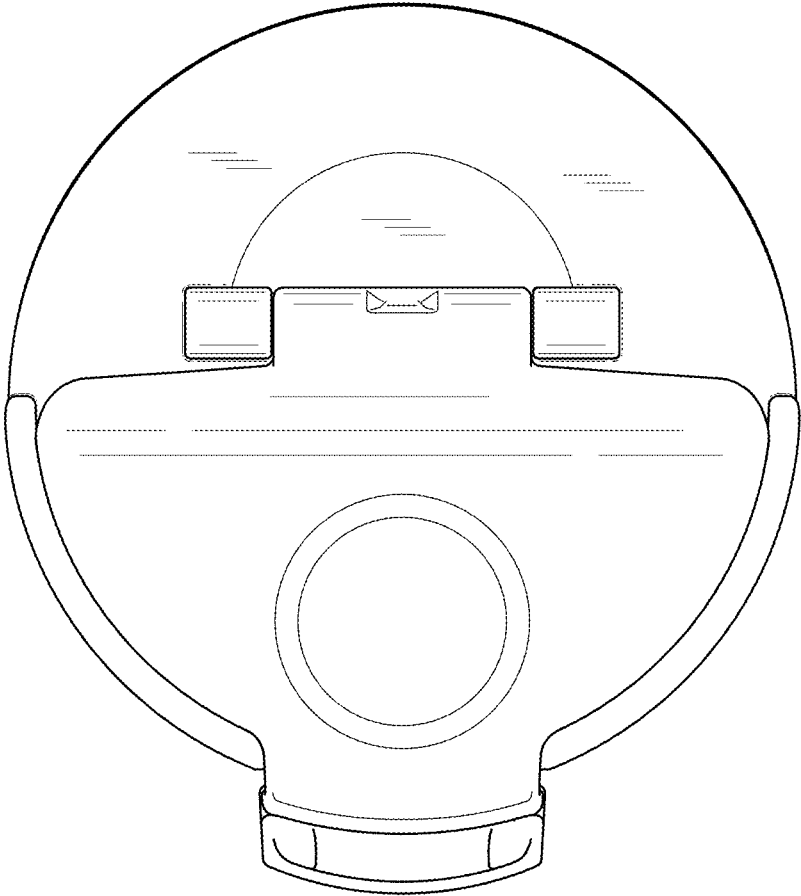
1.2



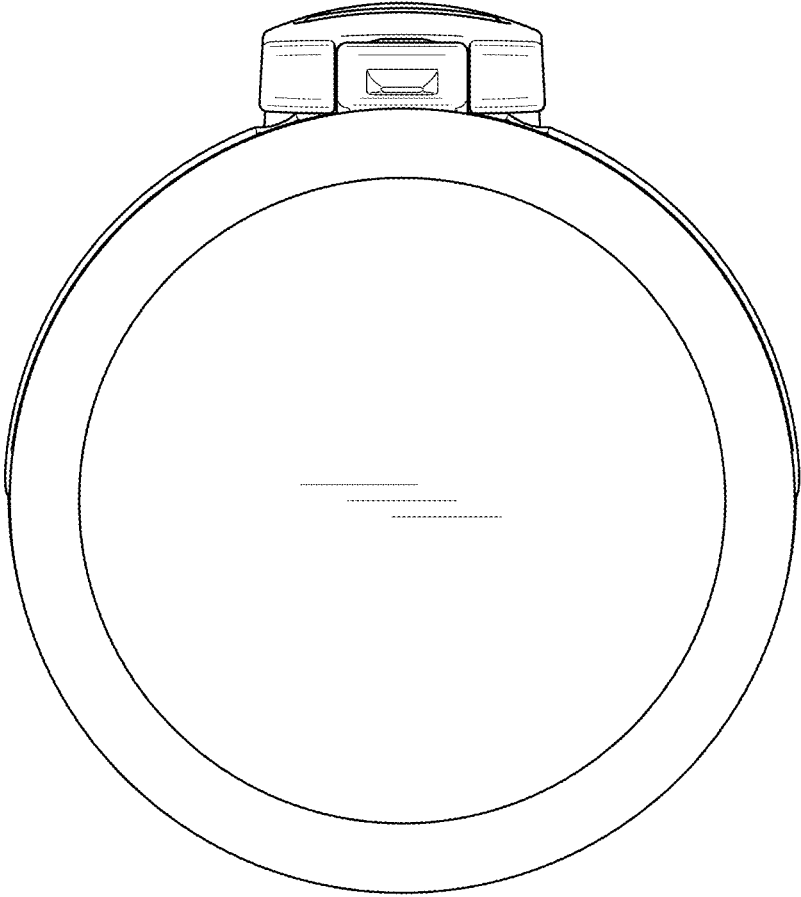
1.3



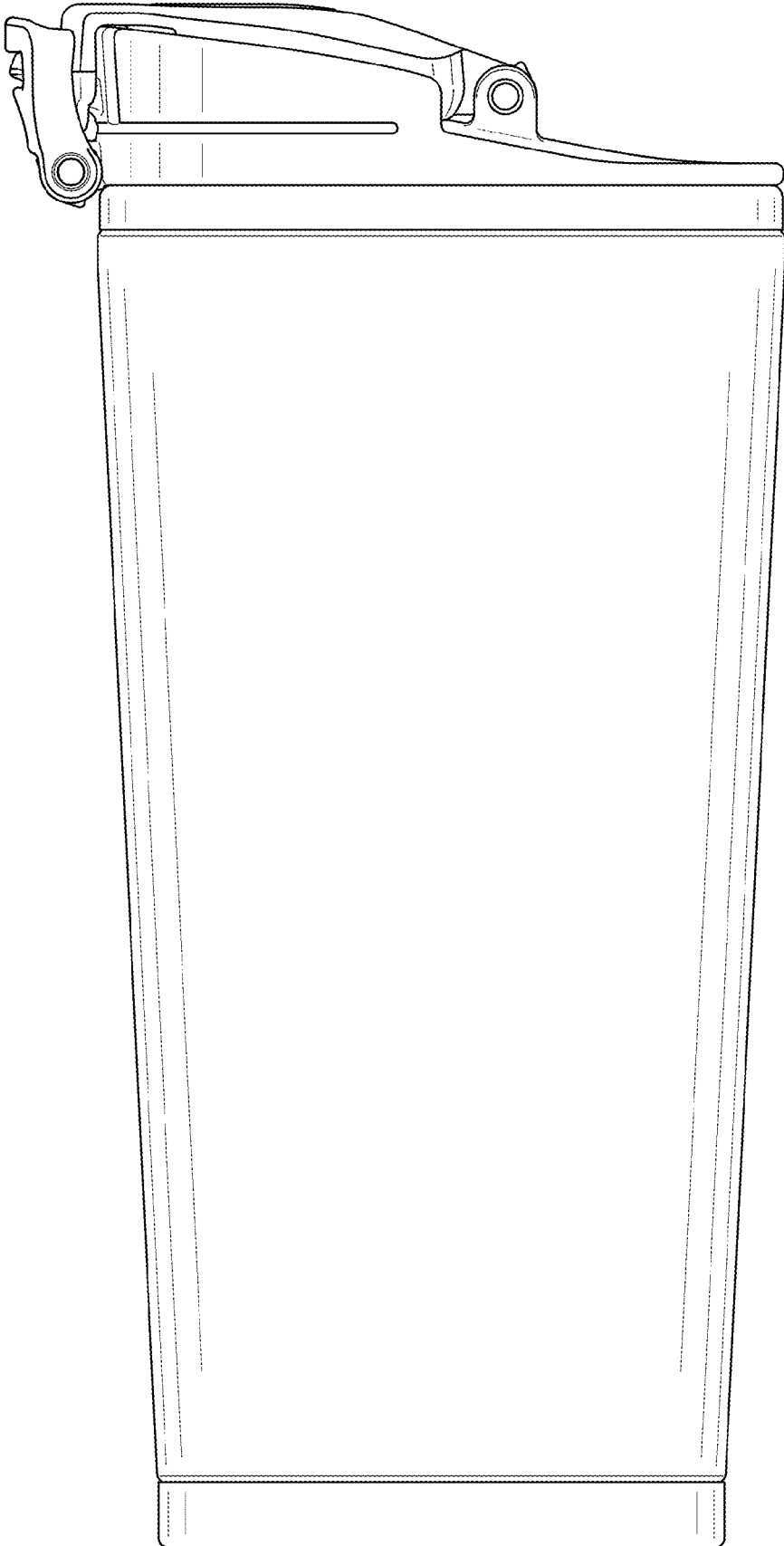
1.4



1.5



1.6



1.7

